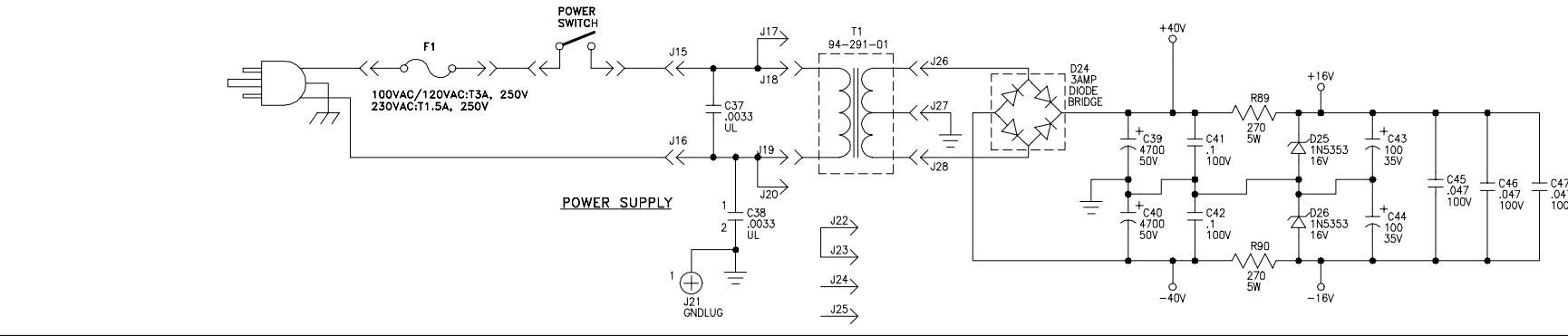
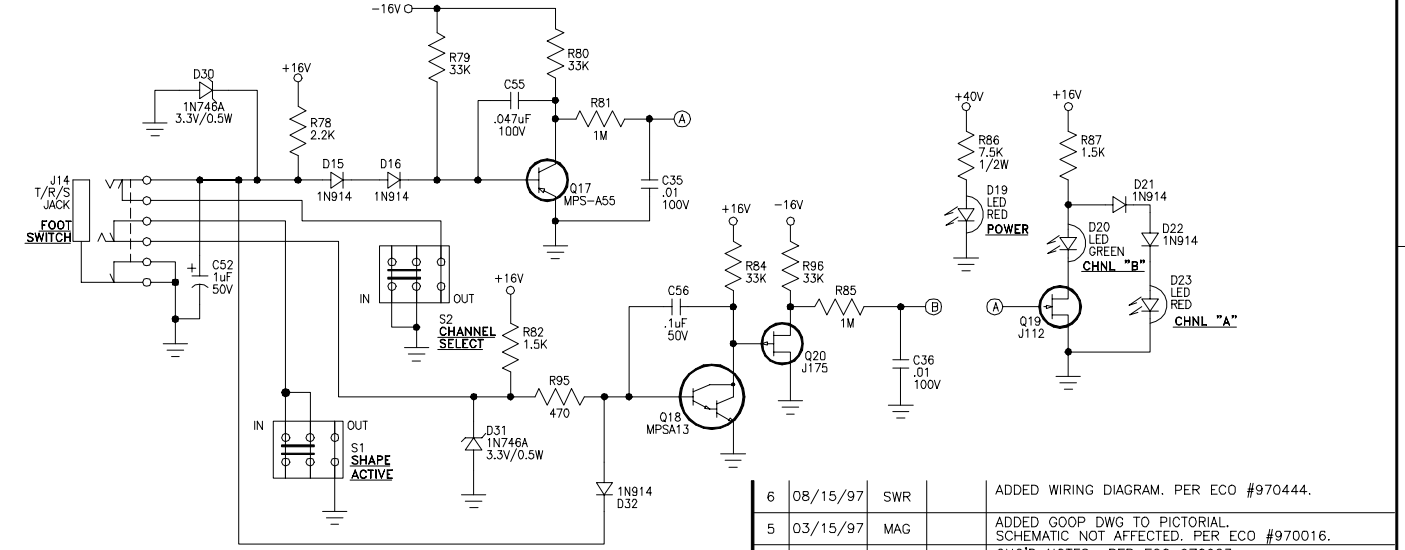
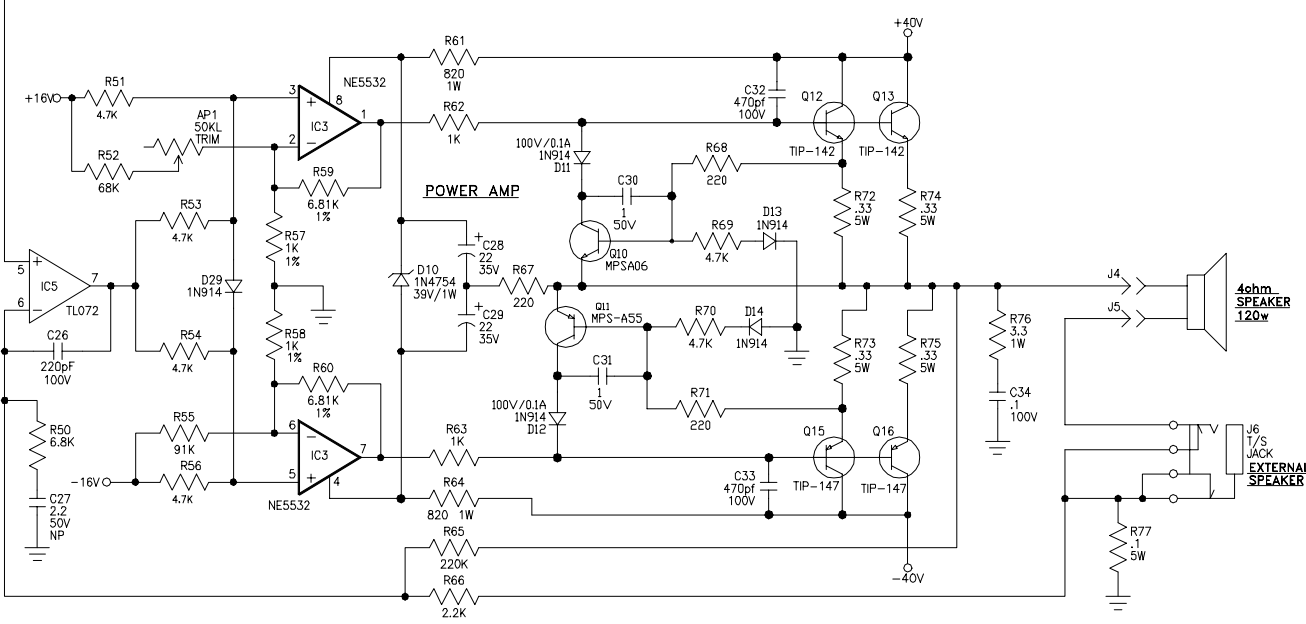


**NOTES**

- 1) CAUTION: SHOCK HAZARD!! THIS UNIT CONTAINS HAZARDOUS VOLTAGE. DISCONNECT POWER AND BE SURE POWER SUPPLY IS DISCHARGED BEFORE TOUCHING INTERNAL PARTS.
- 2) UNLESS NOTED, RESISTOR VALUES IN OHMS, 1/4W-5% TOL. CAPACITOR VALUES IN MICROFARADS, 50V-10% TOL.
- 3) VOLTAGES ARE MEASURED WITH 1 MEGOHM OSCILLOSCOPE AND 10 MEGOHM DIGITAL VOLTMETER.

**CAUTION:**  
THIS SCHEMATIC IS PROVIDED FOR USE BY QUALIFIED PERSONNEL. TO AVOID RISK OF ELECTRIC SHOCK, REFER SERVICING TO QUALIFIED SERVICE PERSONNEL. DO NOT PERFORM ANY SERVICING BEYOND THAT EXPLAINED IN THE OPERATING INSTRUCTIONS.

NOTE: BIAS ADJUST: WITH NO SIGNAL AND NO LOAD, ADJUST AP-1 FOR 7.5MVDC AVERAGED BETWEEN R72 AND R74.P



REV	DATE	BY	CHK'D	DESCRIPTION
6	08/15/97	SWR		ADDED WIRING DIAGRAM. PER ECO #970444.
5	03/15/97	MAG		ADDED GOOP DWG TO PICTORIAL. SCHEMATIC NOT AFFECTED. PER ECO #970016.
4	01/16/97	MAG		CHG'D NOTES PER ECO 970023.
3	10/6/95	REM		CHG'D J8 TO .25" TAB PER E950049.
2	07/06/95	JCJ		MADE CHANGES ON FUSE PER ECO# E0109
1	03/30/95	JCJ		CHG'D Q20 FROM J176 TO J175 PER ECO# E0635

SIGNATURES:		DATE:	
DRAWN: MGA		11/02/94	
CHK'D: TEK		11/02/94	
APP'D: TEK		11/02/94	
ORIGINAL ISSUED:		DRAWING NAME:	
PLOT DATE: 10/01/97		SCHEMATIC	
PLOT TIME: 11:20:45		DRAWING NO. 07-241-11	
FILE NAME: 24111h8_		SCALE: 1:1 SHEET: 1 OF 1	

9			
8	10/01/97	DLS	MADE CHANGES TO PICTORIAL PER E970530
7	09/23/97	MAG	CHG'D 30-440-06 TO 30-440-02 ON PICTORIAL PER ECO 970543.