

## DESCRIPTION

The Electro-Voice TL505 low frequency loudspeaker system is a vented-box (bass-reflex) design with gross internal volume of 7.1 cu. ft. The system has been designed for use with the Electro-Voice EVM18B 18 inch loudspeaker. The usable frequency range of the TL505 is roughly 34 to 1100 Hz. The efficiency of the TL505 is 5% (half-space load, 55 to 800 Hz, 4 ohm nominal impedance) and as a result will generate outputs of 5 acoustic watts at the rated input of 100 watts.

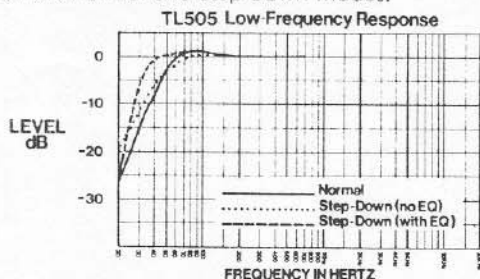
The design provides a selection of two different low frequency response curves by the optional use of a removable port cover. In the normal configuration (port cover off) the response is flat down to the lowest possible frequency. In the step-down configuration (port cover on) the response exhibits a sloping gradual low frequency rolloff but with about a one-half octave extension of low end response. The step down mode of operation is intended to be used with simple before-the-power-amp equalization to flatten the response (only 6 dB maximum boost required, equalizer details available on request).

The following table lists the box resonance frequency ( $f_B$ ), the 3 dB down frequency ( $f_3$ ) and the usable lower limit frequency ( $f_{LL}$ ) for both configurations.

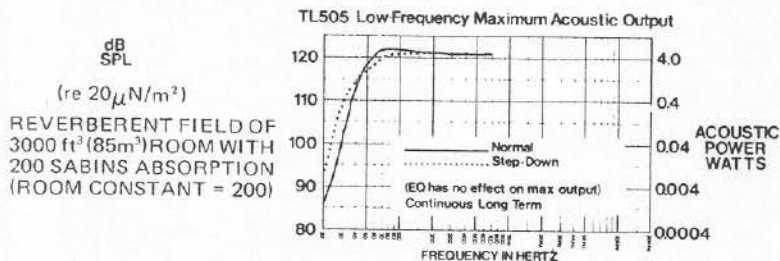
FREQUENCY	NORMAL	STEPDOWN
$f_B$	45 Hz	33 Hz
$f_3$	48 Hz	55 Hz
$f_3$ (with EQ)	—	34 Hz
$f_{LL}^*$	36 Hz	33 Hz

\*The system can generate one-half acoustic watt or more down to  $f_{LL}$ .

The following graph shows the system's power output low frequency response in both the normal and step-down modes.

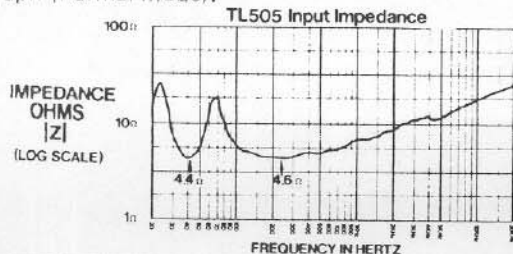


The curve which follows shows the system's low frequency maximum acoustic power output versus frequency. The maximum output is limited by either (1) the thermal power handling capacity of the speaker, or (2) the speaker's maximum linear cone excursion capabilities; whichever occurs first.



Note that some 2 dB of maximum output in the 55 to 80 Hz range is sacrificed when the step-down mode is used.

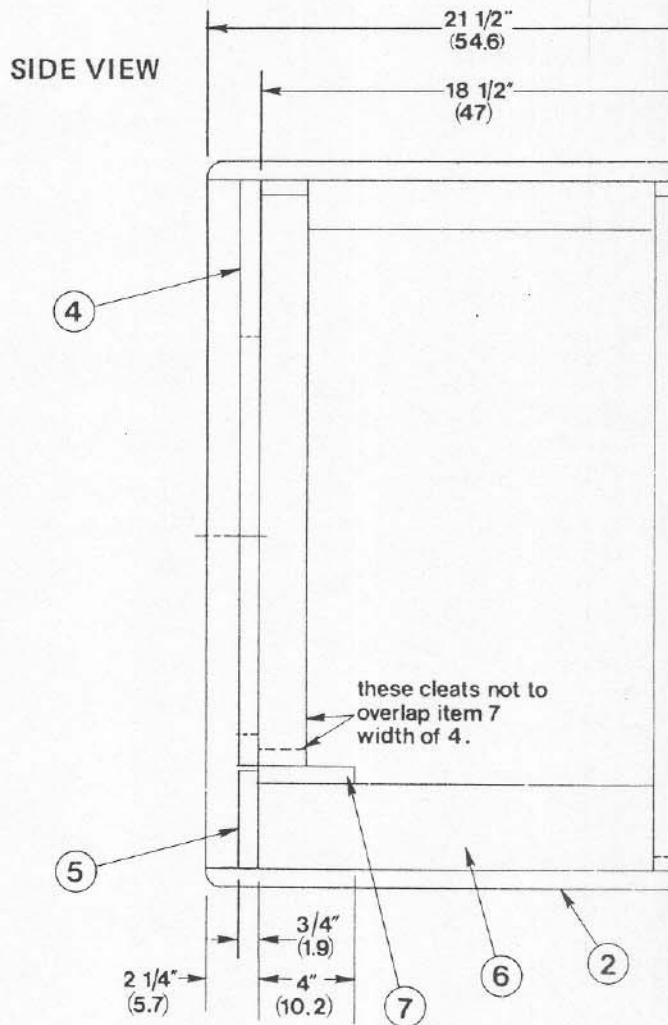
The TL505 input impedance versus frequency is shown in the following graph (normal mode).



EV

# TL505 Builders Plans

EVM18B 7.1 CU. FT. BASS BOX



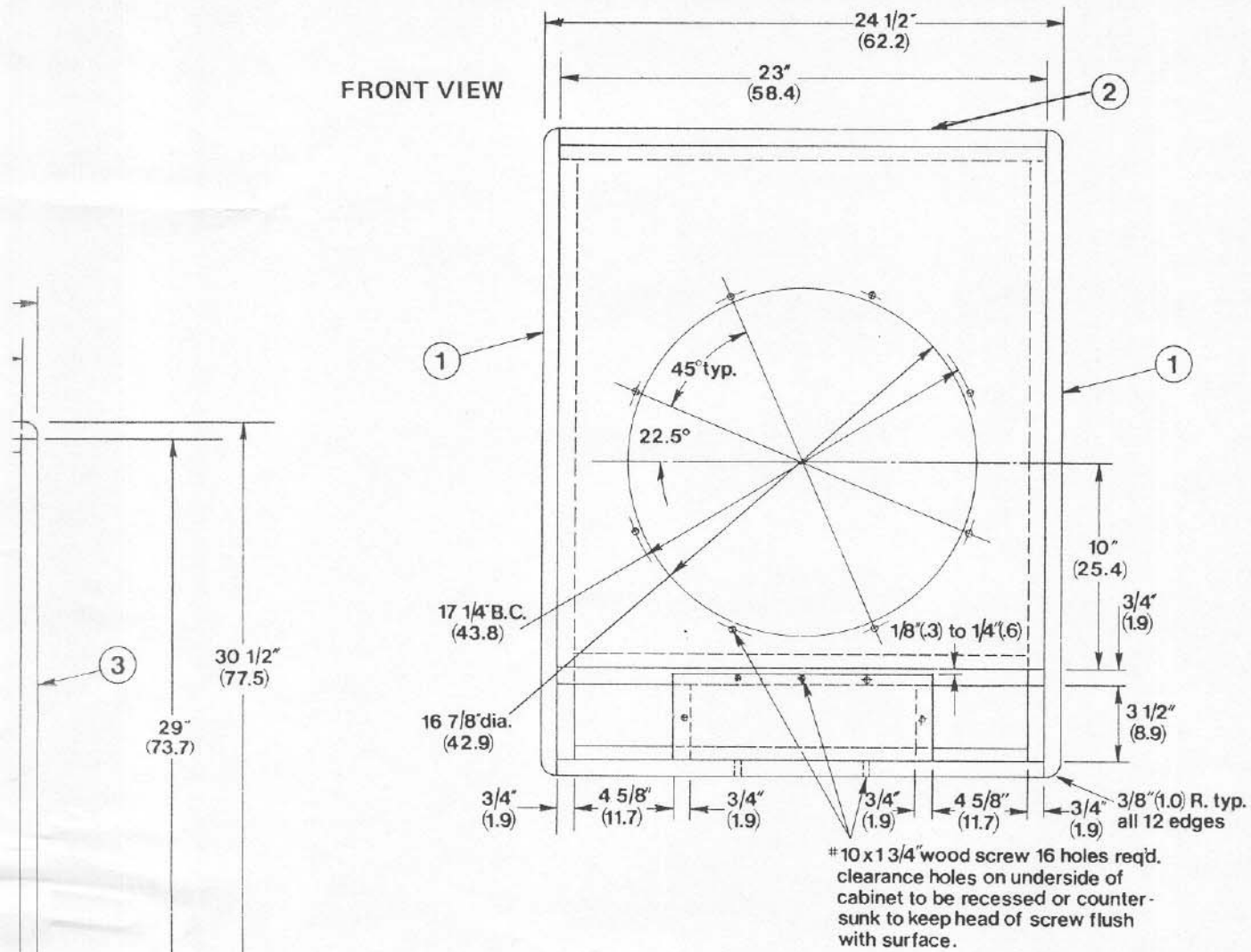
### CONSTRUCTION NOTES:

- All joints should be securely glued and nailed (or stapled).
- All joints must be airtight. Seal questionable joints with based caulking compound.
- Use 1/2" wide weather stripping tape around port cover (if for airtight seal).
- Speaker must be mounted from front of cabinet.
- Handles, trunk corners, and furniture glides or casters not added at builders option.
- Input connector should be selected by builder and mounted rear.

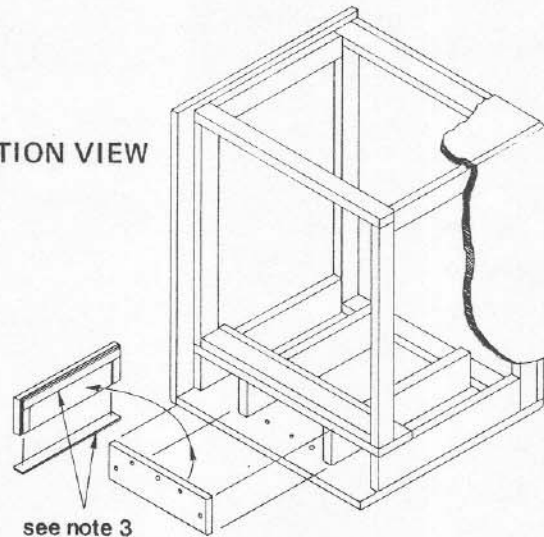
### PARTS LIST - TL505

ITEM	MATERIAL	SIZE
1	3/4" (1.9)	21"
2	Plywood	23"
3	or	23"
4	particle board	23"
5		4-1/2"
6	3/4" (1.9) x 3-1/2" (8.9) Fir	See
7	3/4" (1.9) x 4" (10.2) Fir	23"

FRONT VIEW



CONSTRUCTION VIEW



7. Grille not shown.
8. Parts listed and dimensioned in chart below must conform to dimensions on drawing for proper cabinet tuning.
9. The builder may select material and dimensional fit for parts not listed in chart.
10. The cleats (items 6) to be flush with rear of baffle (item 4) and run completely back to rear cleats.
11. Line top, both sides, and back with 3" fiberglass insulation. Insulation must not block port opening on inside of cabinet.

	QTY.	REMARKS
2" (54.6) x 30-1/2" (77.5)	2	Sides
58.4) x 21-1/2" (54.6)	2	Top and bottom
58.4) x 29" (73.7)	1	Back
58.4) x 24-3/4" (62.9)	1	Baffle
6" (10.3) x 12-1/4" (31.1)	1	Port cover
Note 10	4	Cleats
58.4)	1	Port top



**Electro-Voice®**

a gulton company

600 CECIL STREET  
BUCHANAN, MICHIGAN 49107