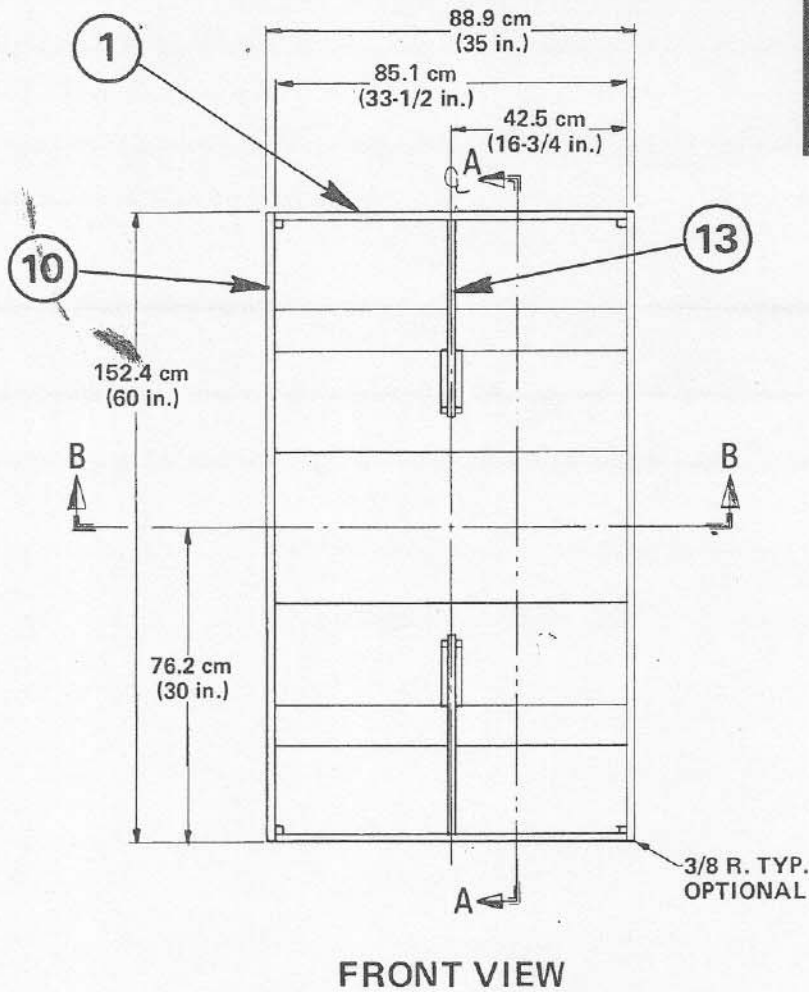
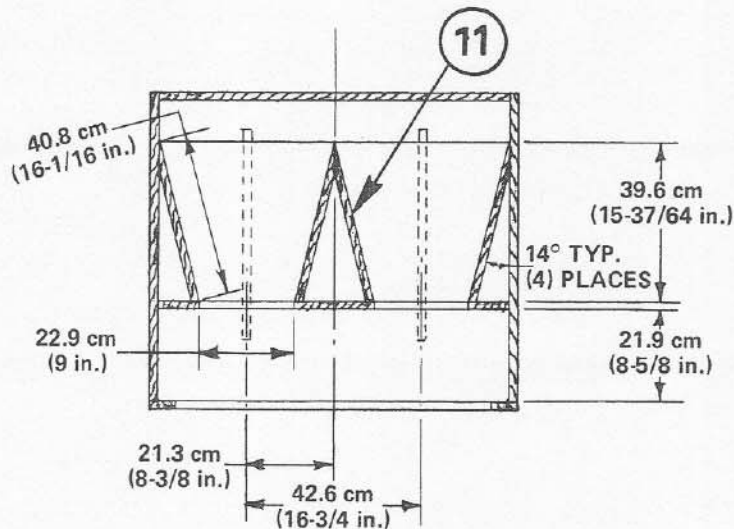


TL4050

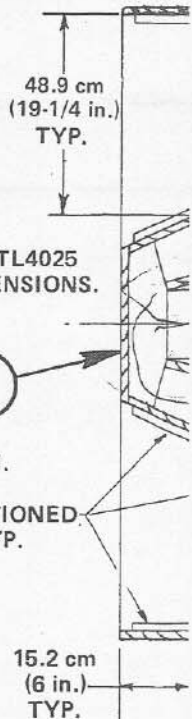
BUILDERS PLANS
(2) EVM=15L,
HORN-LOADED BASS BOX



FRONT VIEW



SECTION B-B



NOTE:
SEE SECTION B-B OF TL4025
FOR COMPLETE DIMENSIONS.

3/4 IN. x 3/4 IN.
SOLID WOOD
CLEATS POSITIONED
AS SHOWN, TYP.

NOTES:

- 1 - ALL JOINTS TO BE SEALED
- 2 - ALL AIR CHAMBER JOINTS TO BE SEALED
- 3 - ALL PANELS TO BE 3/4" PLYWOOD.
- 4 - TOLERANCE $\pm .08$ CM
- 5 - AN ADDITIONAL SPEAKER IS REQUIRED FOR CLIPPING

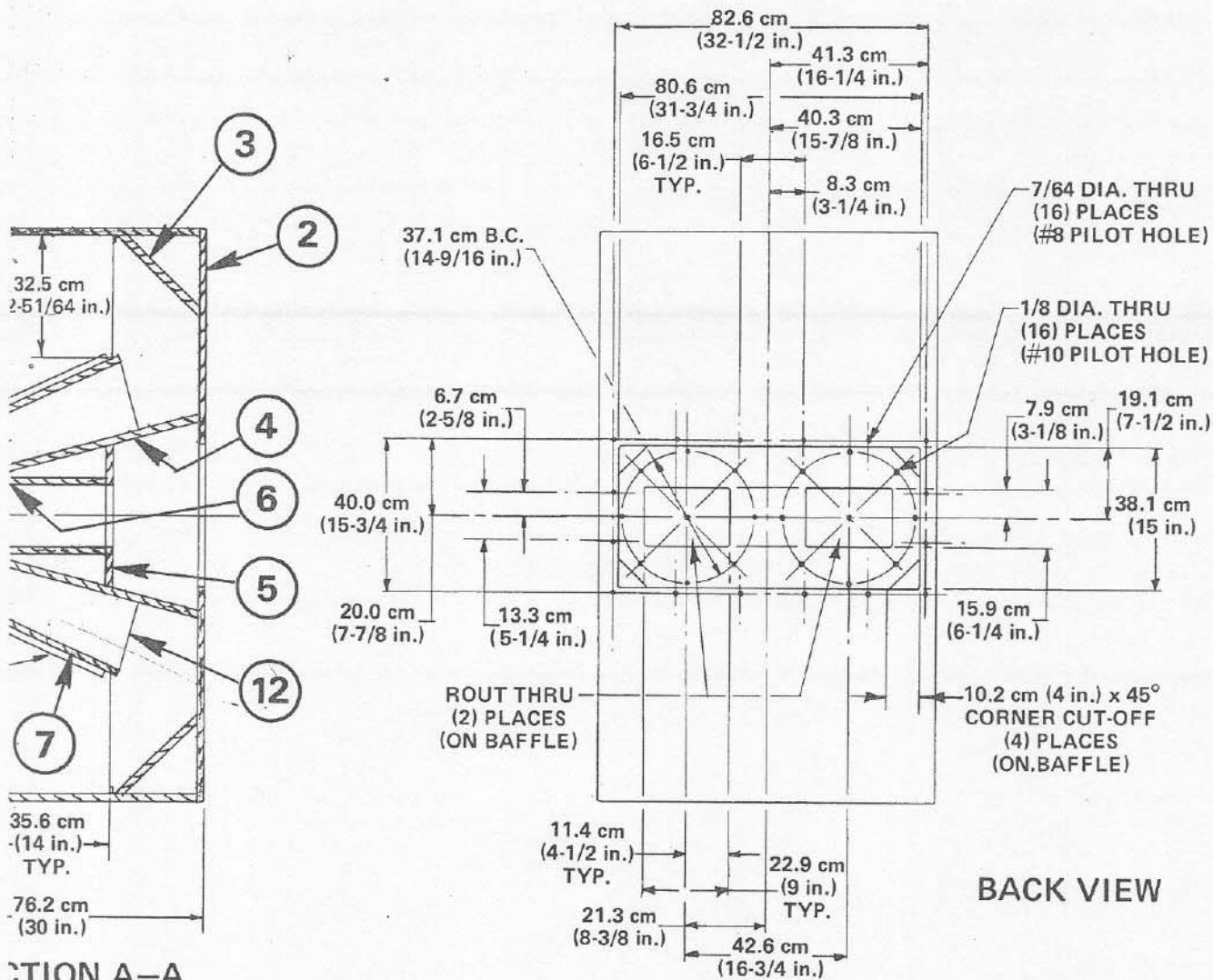
Item	Descriptor
1	Top & Bottom Panel
2	Back Panel
3	Corner Brace
4	Air Chamber (Top & Baffle)
5	Horn Throat (Top & Baffle)
6	Outer Horn Throat
7	Horn End Cap
8	Access Panel
9	Side Panel
10	Air Chamber Side Panel
11	Horn Brace
12	Horn Brace (Center)



Electro-Voice[®]

a gulton company

600 CECIL STREET, BUCHANAN, MICHIGAN 49107



SECTION A-A

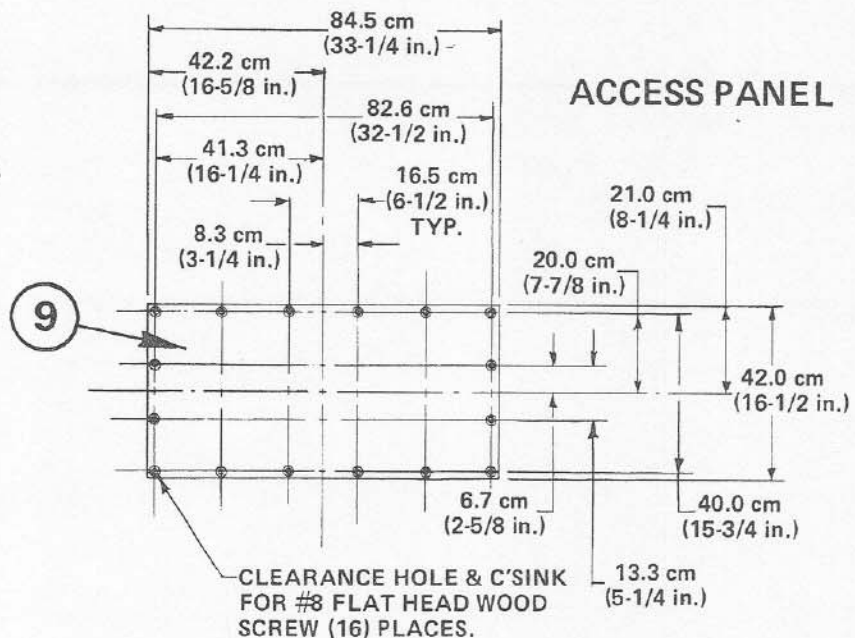
RELAY GLUED.
 SPEAKERS MUST BE AIR TIGHT.
 VOID THICK VOID FREE CORE

32 IN.).
 AIR GASKET (PART NUMBER 37320)
 CLEARANCE BETWEEN BAFFLE AND SPEAKER.

	Qty.	4050
	2	33-1/2 x 29-1/4
	1	33-1/2 x 60
	2	33-1/2 x 12
Bottom	2	33-1/2 x 26-1/32
	1	33-1/2 x 15
Bottom	2	33-1/2 x 15-37/64
	2	33-1/2 x 22-7/16
	1	33-1/2 x 14-29/32
	1	33-1/4 x 16-1/2
	2	30 x 60
	4	16-1/16 x 6-1/4
	4	19-19/32 x 7-11/32
	2	14 x 19-1/4

BACK VIEW

ACCESS PANEL



All Dimensions shown in centimeters and (inches).