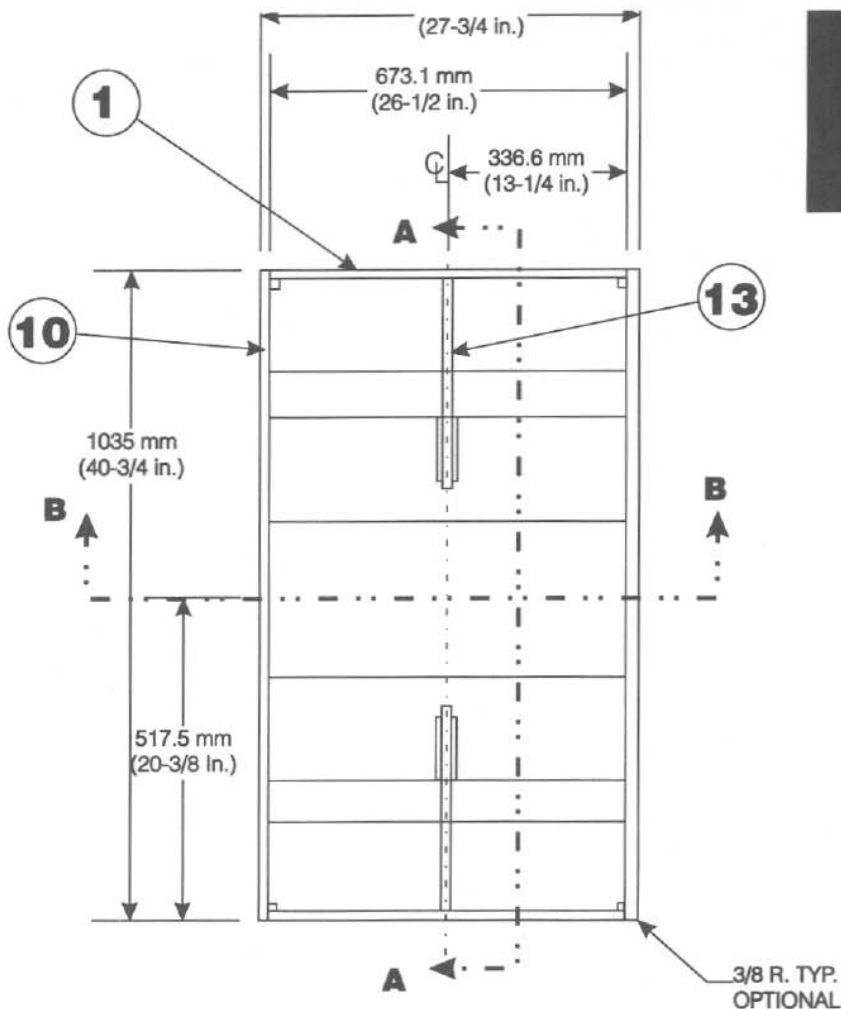
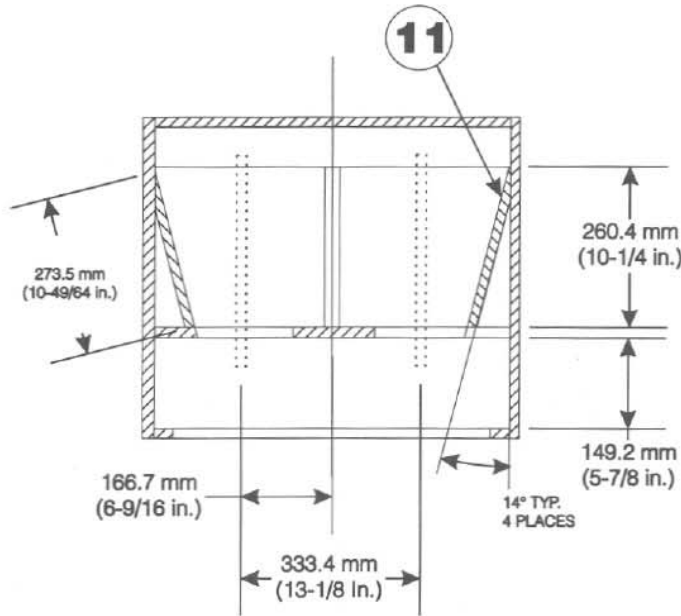


TL5050

BUILDERS PLANS
(2) EVM = 12L,
HORN-LOADED BASS BOX

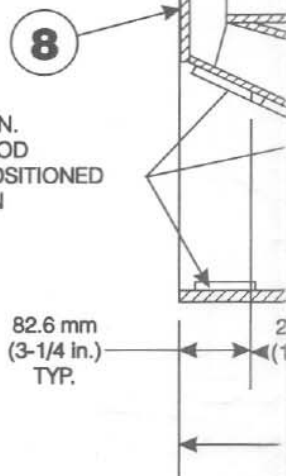


FRONT VIEW



SECTION B - B

NOTE:
 SEE SECTION B - B OF TL4050
 FOR COMPLETE DIMENSIONS.



3/4 IN. X 3/4 IN.
 SOLID WOOD
 CLEATS POSITIONED
 AS SHOWN

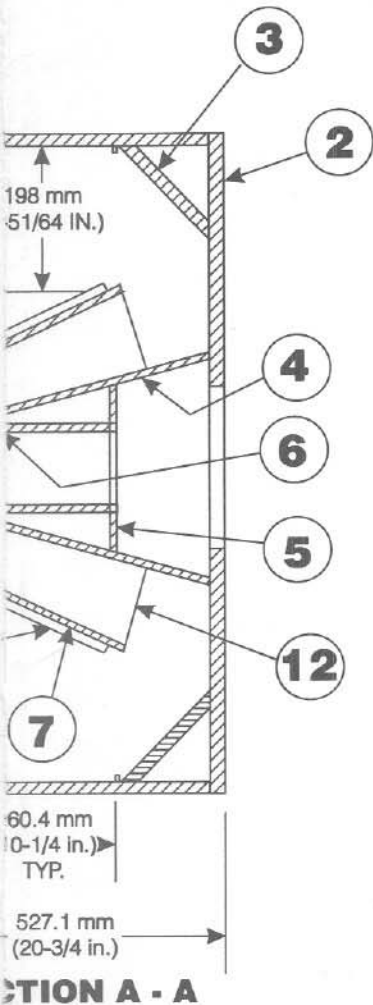
- NOTES:
- 1- ALL JOINTS TO BE SECURELY GLUED.
 - 2- ALL AIR CHAMBER JOINTS MUST BE AIR TIGHT.
 - 3- ALL PANELS TO BE 3/4 IN. THICK VOID FREE COP.
 - 4- TOLERANCE ± .8 mm (1/32 IN.).
 - 5- AN ADDITIONAL SPEAKER GASKET (PART NUMBER Baffle AND SPEAKER).

Item	Description
1	Top & Bottom Panels
2	Back Panel
3	Corner Brace
4	Air Chamber (top & Bottom)
5	Baffle
6	Horn Throat (Top & Bottom)
7	Outer Horn Throat
8	Horn End Cap
9	Access Panel
10	Side Panel
11	Air Chamber Side Panel
12	Horn Brace
13	Horn Brace (Center)

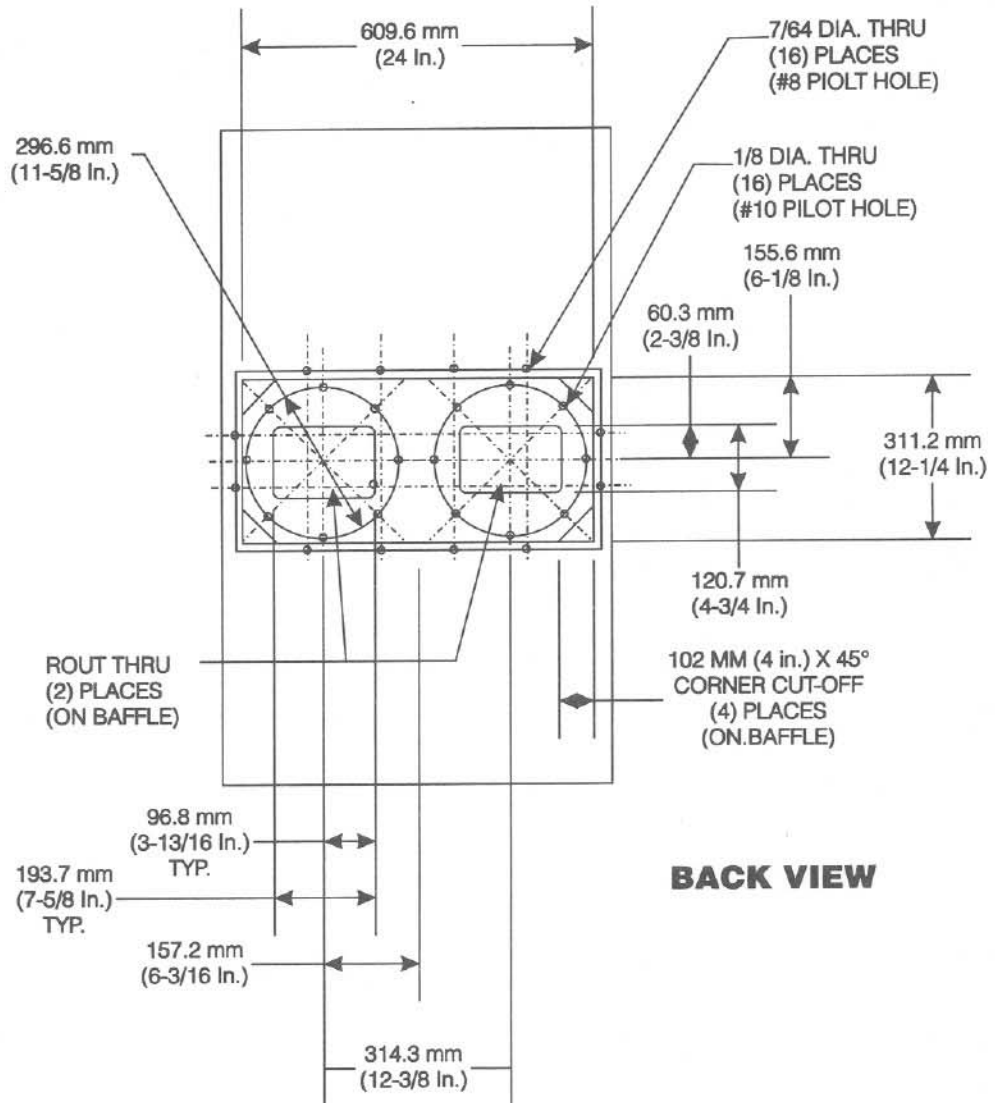


Electro-Voice

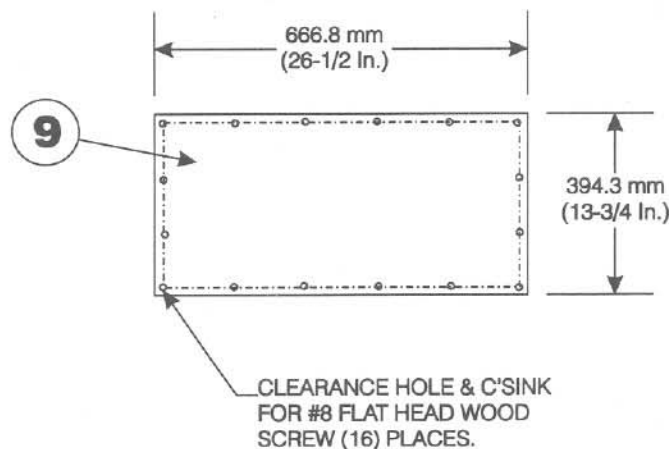
600 CECIL STREET, BUCHANAN, MICHIGAN 49107



PLYWOOD.
 (SEE 37320) IS REQUIRED FOR CLEARANCE BETWEEN



ACCESS PANEL



ALL DIMENSIONS SHOWN IN CENTIMETERS AND (INCHES).

	Qty.	5050
	2	26-1/2 x 20
	1	40-3/4 x 27-3/4
	2	26-1/2 x 6
Bottom)	2	26-1/2 x 17-5/8
	1	12-1/4 x 26-1/2
Bottom)	2	26-1/2 x 10-1/4
	2	26-1/2 x 15-7/8
	1	26-1/2 x 10-1/2
	1	26-1/2 x 13-3/4
panels	2	40-3/4 x 20
	2	12-7/8 x 4-3/4
	4	4-11/16 x 13-7/16
	2	13 x 10-1/4