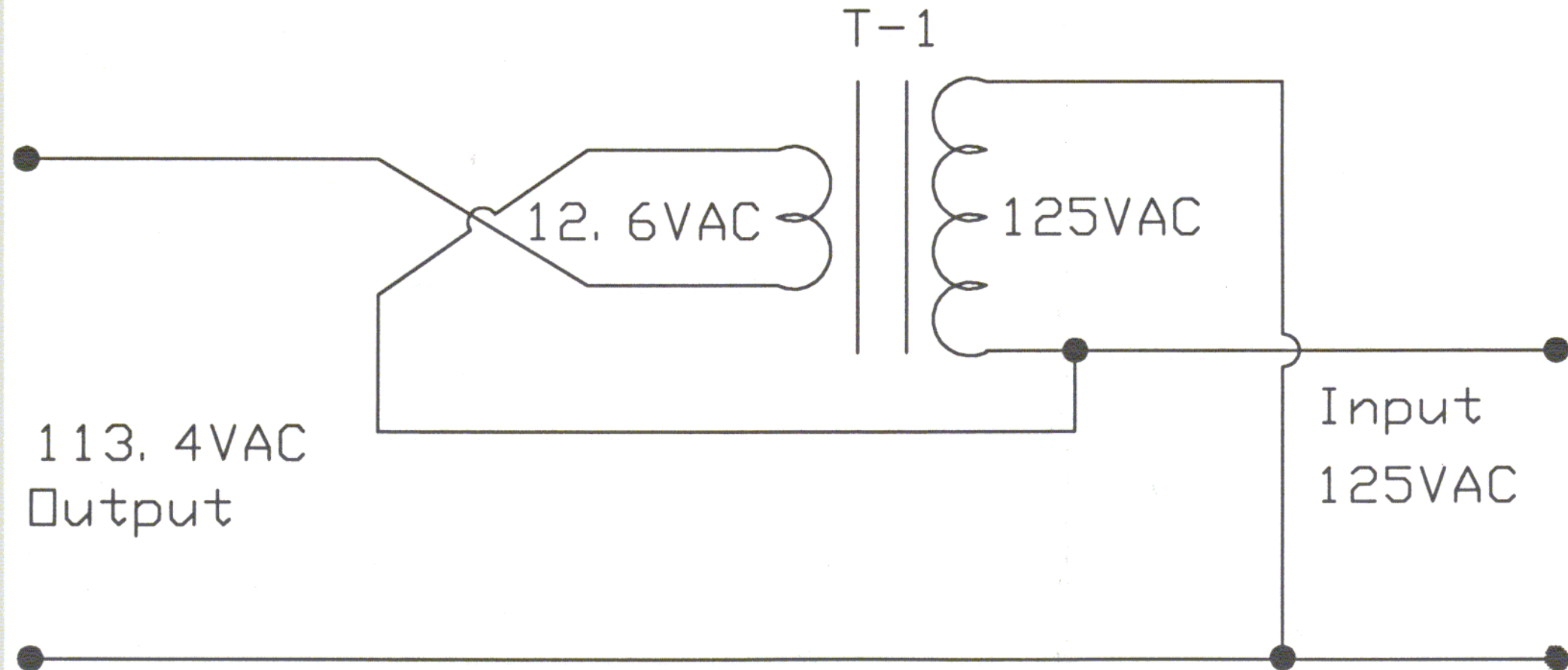


How to Build a Bucking Transformer



T-1 Pri. 115 VAC, Sec. 12.6 VAC 10 amps.