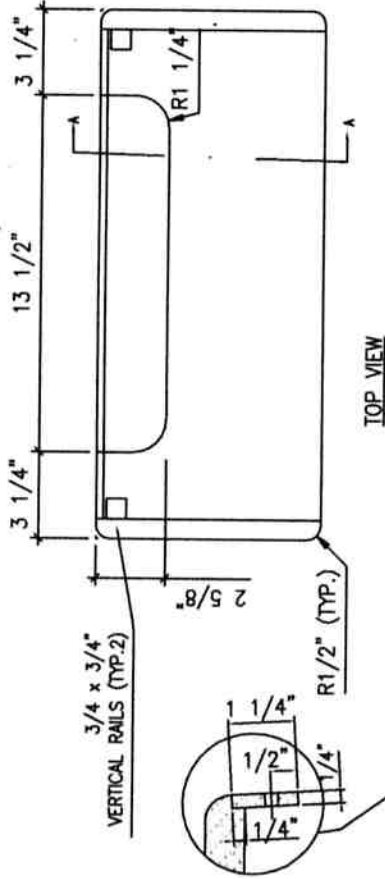
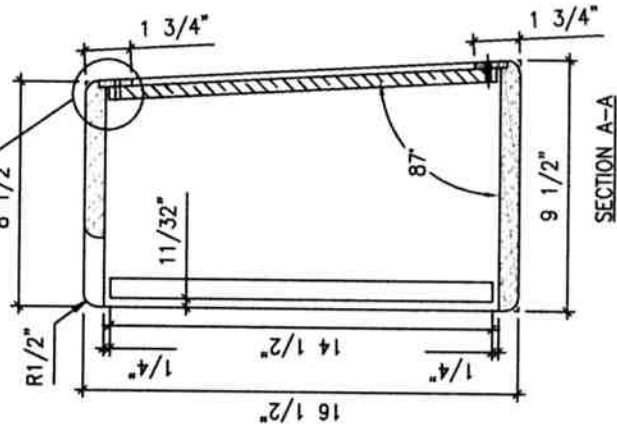


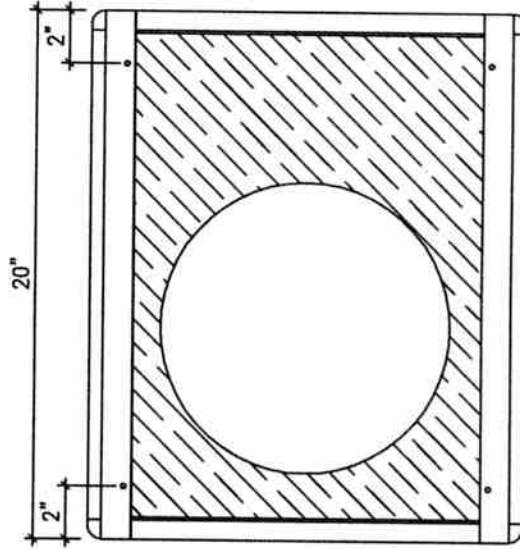
NOTE: 3/32" GAPS HAVE BEEN DEDUCTED FROM BACK PANEL AND BAFFLE DIMS TO ALLOW FOR TWEED AND GRILL CLOTH.



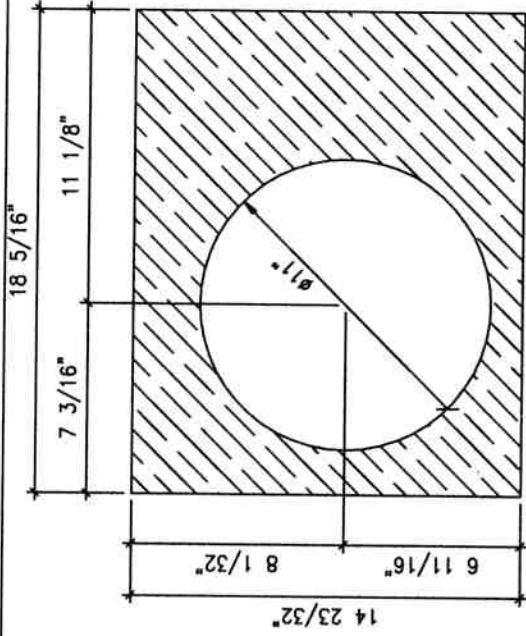
TOP VIEW



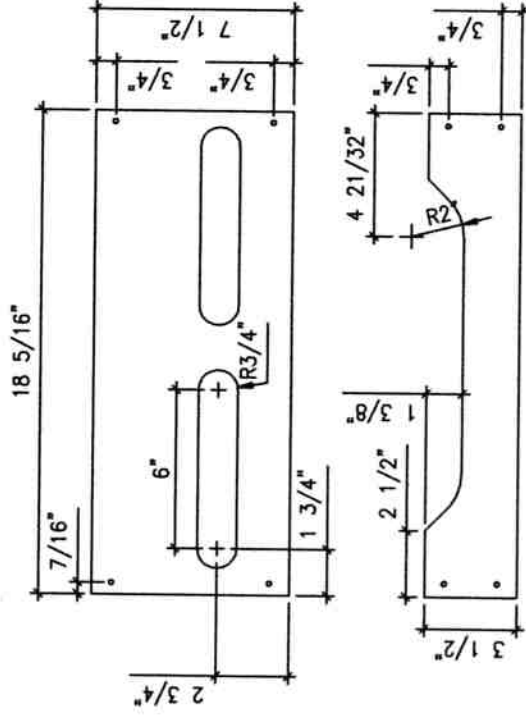
SECTION A-A



FRONT VIEW



SPEAKER BAFFLE DETAIL



REAR PANEL DETAILS

MATERIALS

- 1) 3/4" SOLID PINE
- 2) 1/4" SOLID PINE - FRONT "NARROW" PANELS.
- 3) 1/4" BALTIC BIRCH PLYWOOD - BACK PANELS
- 4) 1/2" BALTIC BIRCH PLYWOOD - SPEAKER BAFFLE

*Dueltone Amps*

CALGARY ALBERTA

WWW.DUELSTONEAMPS.COM

"DELUXE" CABINET (5E3)

DRAWING NO. 1 OF 1

DRAWN BY JOE ROGERS

DATE DRAWN APRIL 22, 2004

REV