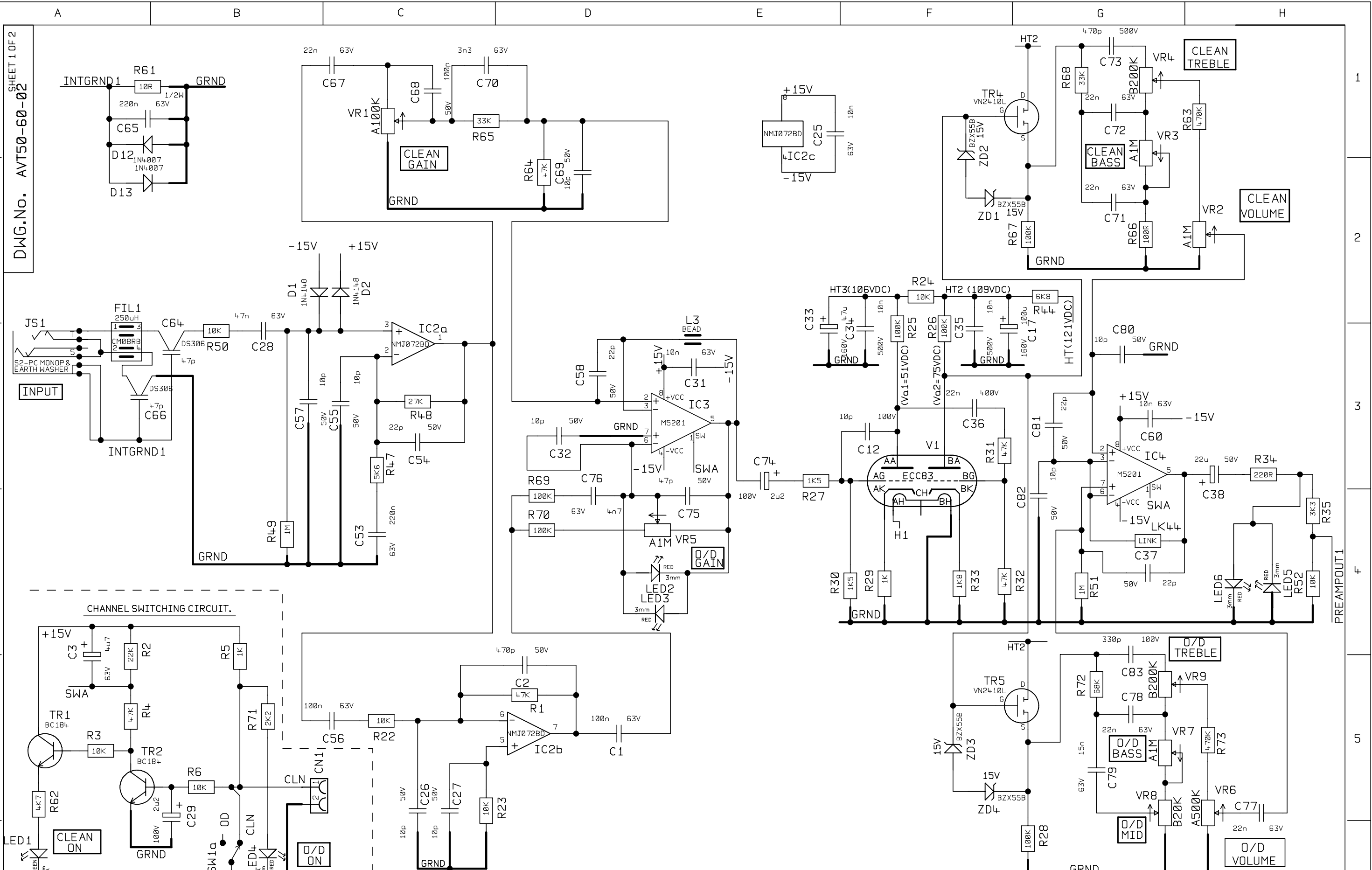


SHEET 1 OF 2
DWG.No. AVT50-60-02



NOTES:- ALL RESISTORS 1/4W UNLESS STATED

1		PRODUCTION		24/03/00	
ISS		ECO NUMBER		DATE	

MATERIAL		DIMENSIONS IN	
MATERIAL THICKNESS		TOLERANCE (UNLESS OTHERWISE STATED)	
DRAWN	DATE	MODEL	
CHECKED	DATE	AVT50	
APPROVED	DATE		

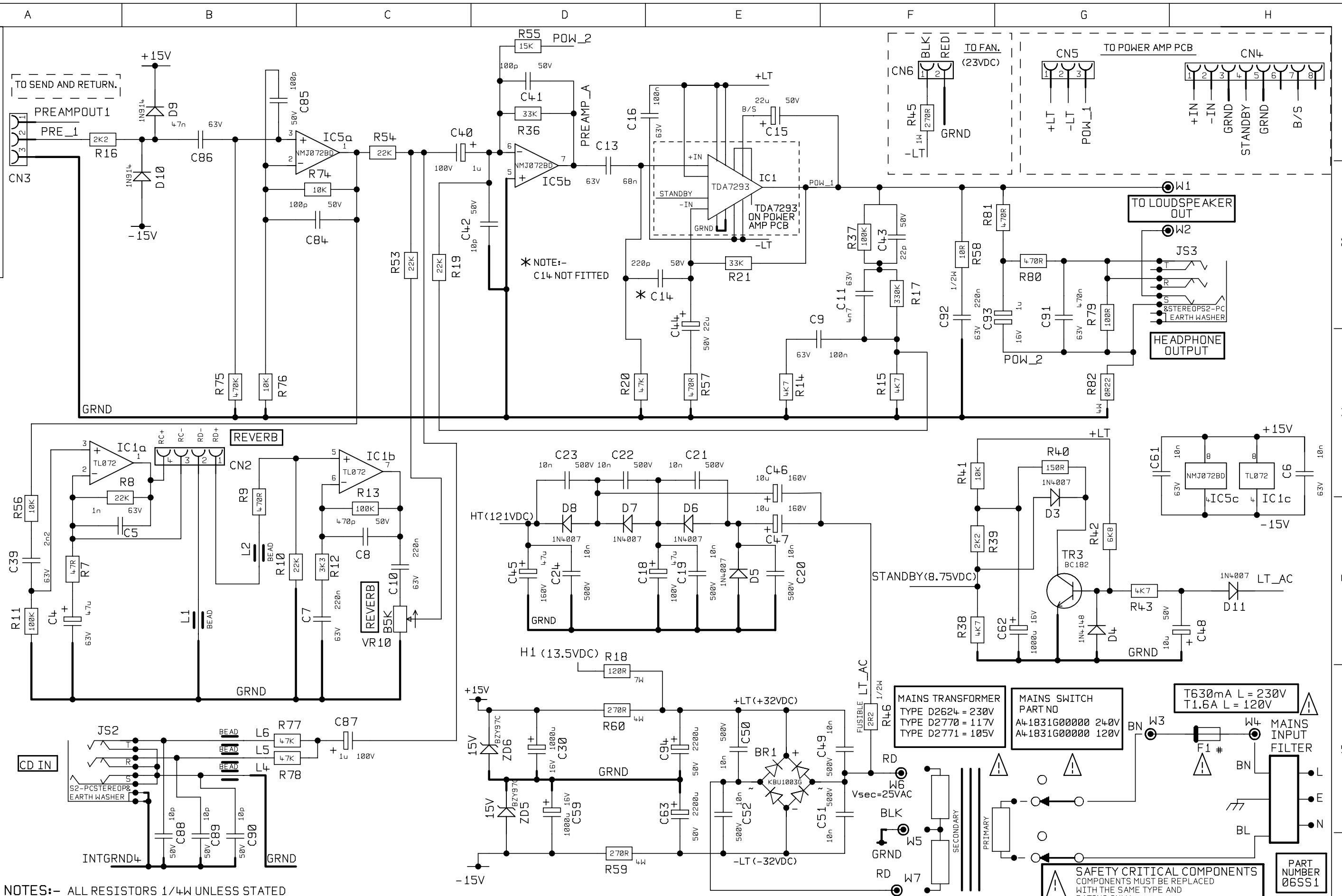


TITLE		PRE-AMP PCB		SHEET 1 OF 3	
DWG.No		AVT50-60-02		ISS	
				1	

A B C D E F G H

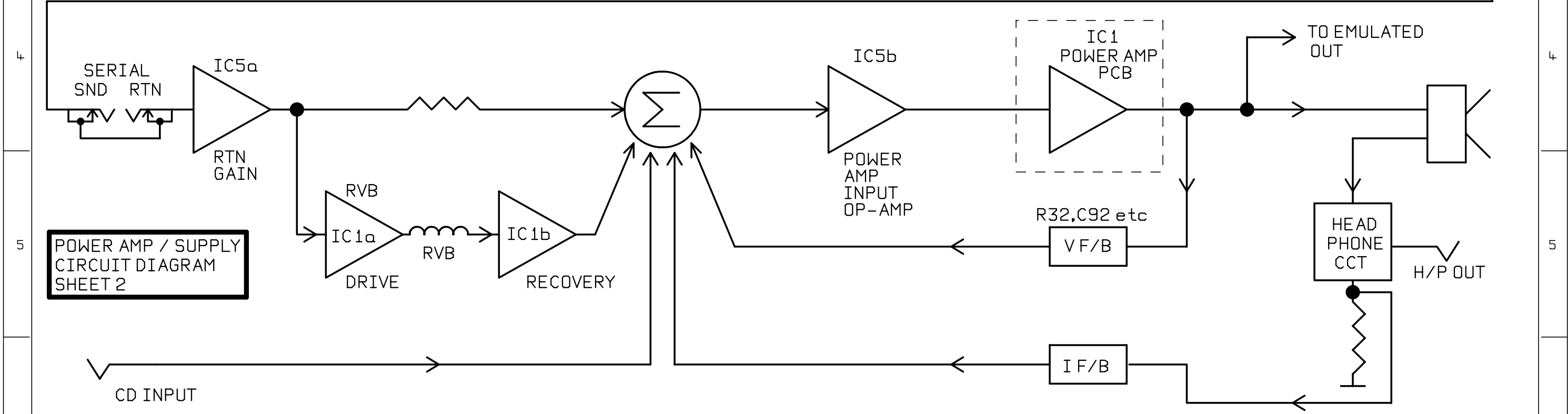
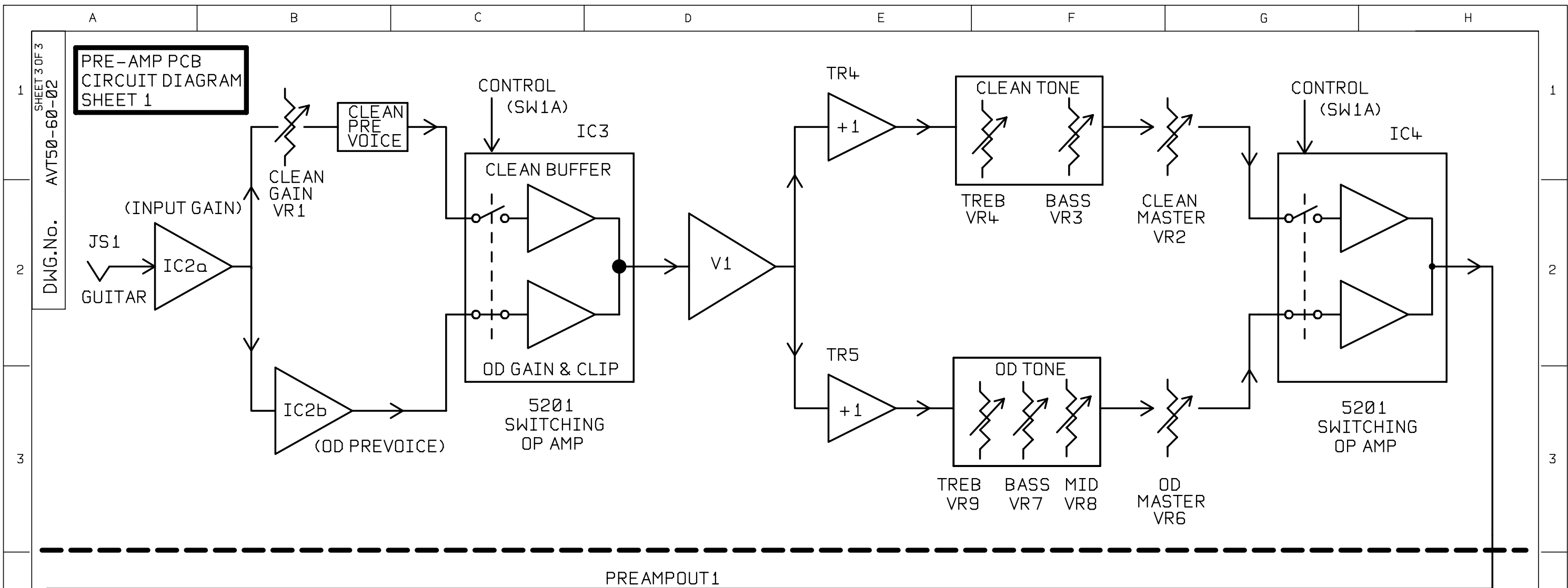
ignorelayers 4

SHEET 2 OF 2
DWG.No. AVT50-60-02



NOTES:- ALL RESISTORS 1/4W UNLESS STATED

		ALL OTHER HOLES =		X = (THROUGH PLATED)		MATERIAL		DIMENSIONS IN		<p>© MARSHALL AMPLIFICATION PLC DENBIGH ROAD, BLETCHLEY, MILTON KEYNES, MK1 1DD. TEL (01908) 375411 FAX (01908) 376118</p>		TITLE POWER AMP / SUPPLY CIRCUIT DIAGRAM		SHEET 2 OF 3	
		A	E	J	N	MATERIAL THICKNESS		TOLERANCE (UNLESS OTHERWISE STATED)				DRAWN		DATE	
1	PRODUCTION	24/03/00	B	F	K	CHECKED		MODEL AVT50		DATE		DWG.No AVT50-60-02		ISS 1	
ISS	ECO NUMBER	DATE	C	G	L	APPROVED				DATE					



1			ALL OTHER HOLES =			X = (THROUGH PLATED)			MATERIAL		DIMENSIONS IN		TITLE		SHEET 3 OF 3	
ISS			A			B			MATERIAL THICKNESS		TOLERANCE (UNLESS OTHERWISE STATED)		AVT50 BLOCK DIAGRAM		ISS	
ECO NUMBER			C			D			DRAWN		DATE		AVT50		1	
DATE			E			F			CHECKED		DATE		Marshall		ISS	
DATE			G			H			APPROVED		DATE		© MARSHALL AMPLIFICATION PLC		ISS	
DATE			J			K			DATE		DATE		DENBIGH ROAD, BLETCHLEY, MILTON KEYNES, MK1 1DQ.		ISS	
DATE			L			M			DATE		DATE		TEL (01908) 375411 FAX (01908) 376118		ISS	
DATE			N			P			DATE		DATE				ISS	
DATE			Q			R			DATE		DATE				ISS	
DATE			R						DATE		DATE				ISS	