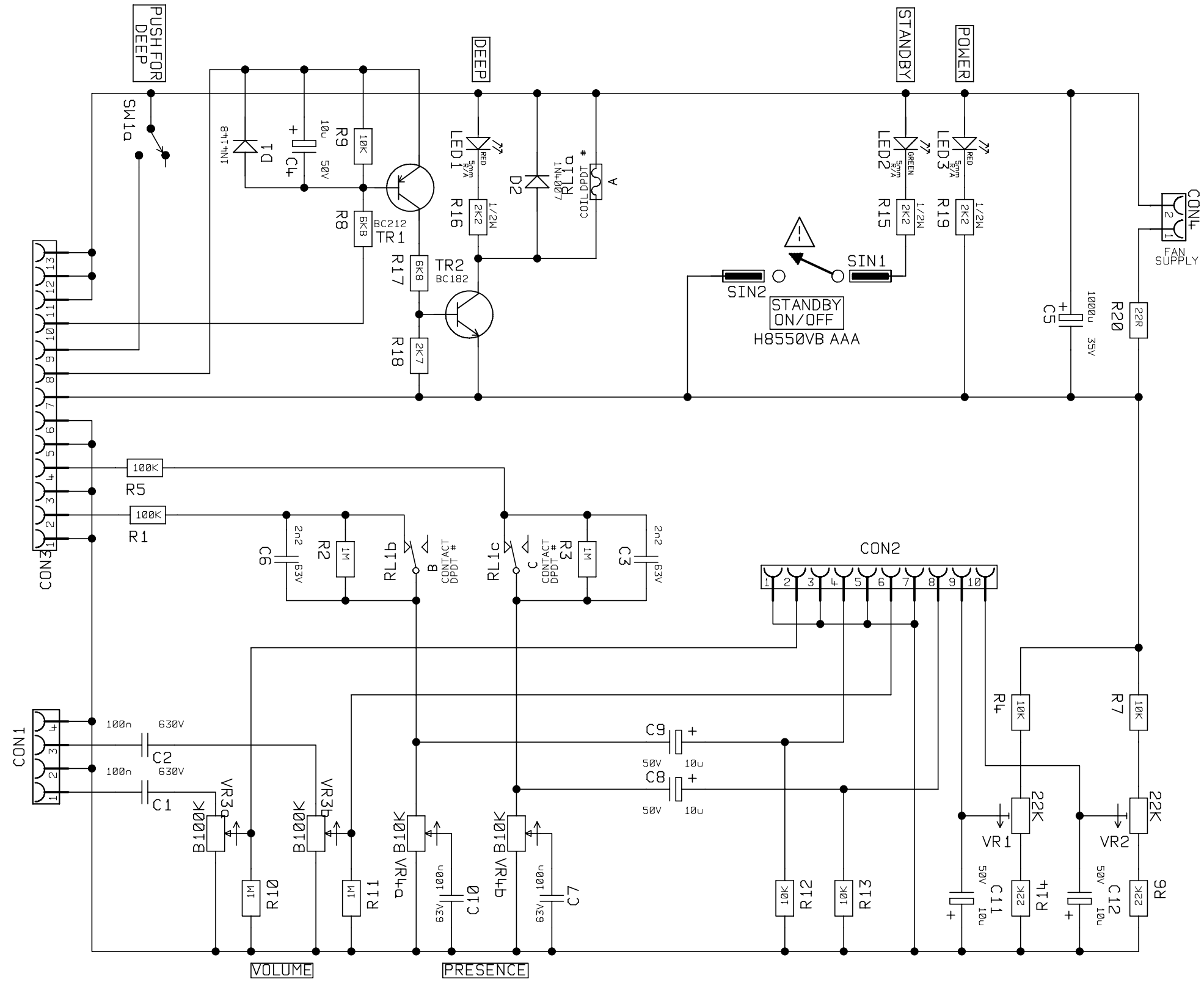



DWG.No. 2020-61-02

ignorelayers 24



SAFETY CRITICAL COMPONENTS  
COMPONENTS MUST BE REPLACED  
WITH THE SAME TYPE AND  
RATING ONLY.

ISS		ECO NUMBER		DATE		ALL OTHER HOLES =		X = (THROUGH PLATED)		MATERIAL		DIMENSIONS IN		 © MARSHALL AMPLIFICATION PLC DENBIGH ROAD, BLETCHLEY, MILTON KEYNES, MK1 1DQ. TEL (01908) 375411 FAX (01908) 376118		TITLE FRONT BOARD	
										MATERIAL THICKNESS		TOLERANCE (UNLESS OTHERWISE STATED)				2020 POWER AMPLIFIER	
										DRAWN B.KEIR		DATE 05.11.96				DWG.No 2020-61-02	
										CHECKED		DATE				ISS 1	

A B C D E F G H