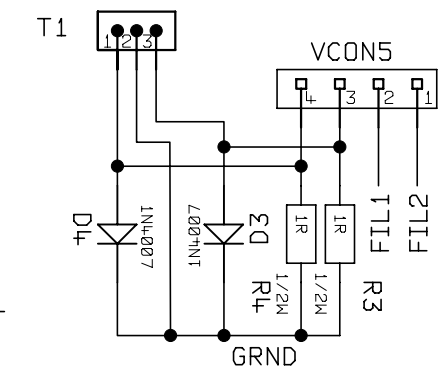
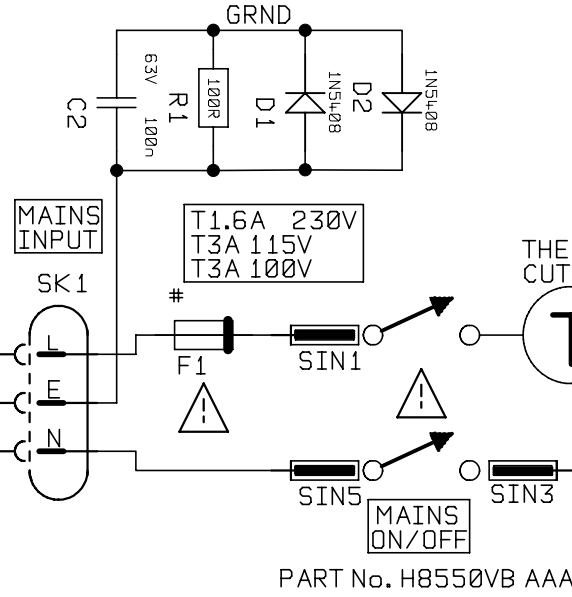
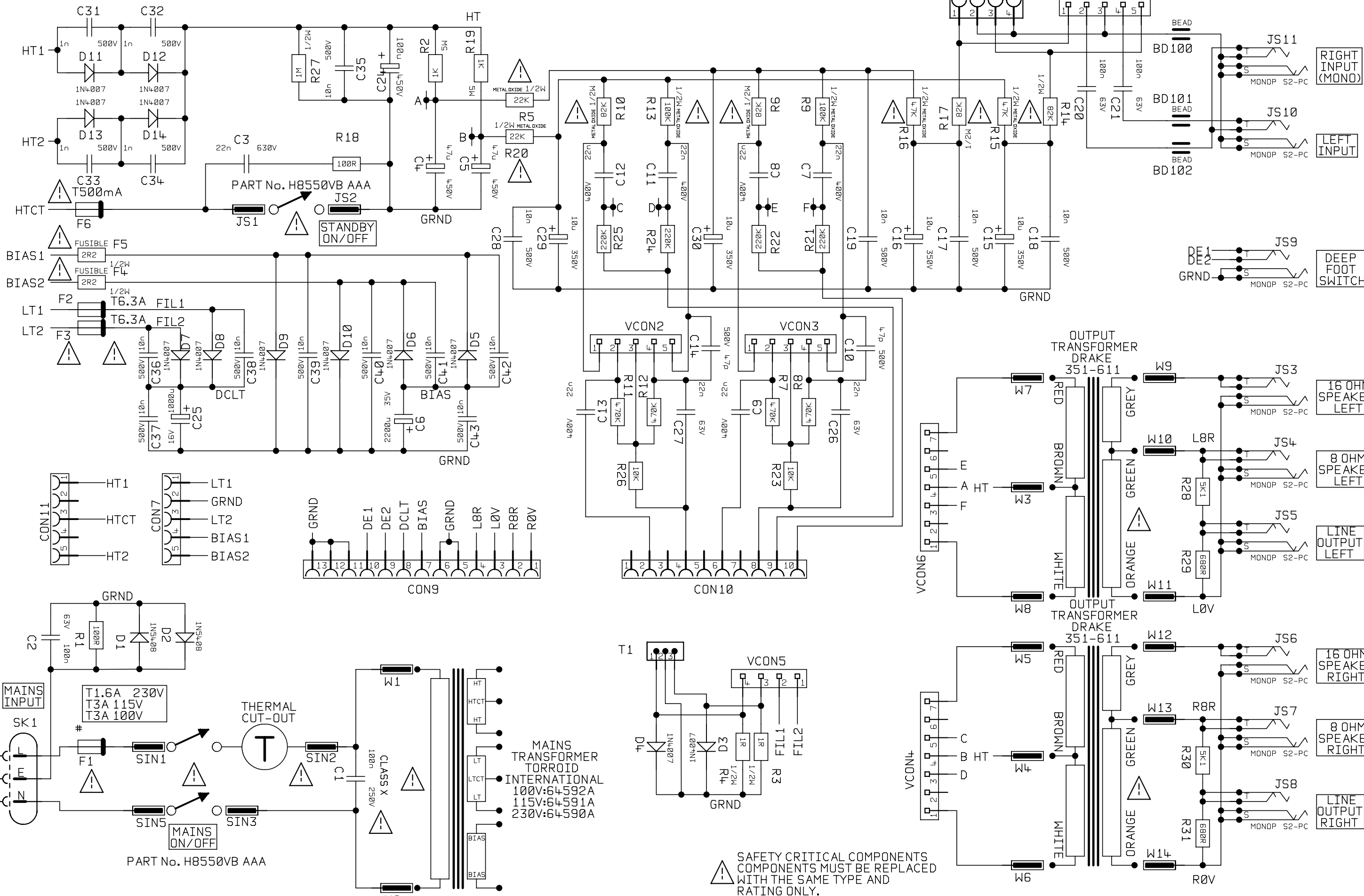


DWG.No. 2020-60-02

ignorelayers 24



SAFETY CRITICAL COMPONENTS
COMPONENTS MUST BE REPLACED
WITH THE SAME TYPE AND
RATING ONLY.

ALL OTHER HOLES =		X = (THROUGH PLATED)		MATERIAL	DIMENSIONS IN		<p>© MARSHALL AMPLIFICATION PLC DENBIGH ROAD, BLETCHLEY, MILTON KEYNES, MK1 1DQ. TEL. (01908) 375411 FAX (01908) 376118</p>	TITLE	BACK BOARD	ISS 2
				MATERIAL THICKNESS	TOLERANCE (UNLESS OTHERWISE STATED)			DWG.No	2020-60-02	
2	14-30	13-6-97		DRAWN B.KEIR	DATE	11.11.96		MODEL	2020	
ISS	ECO NUMBER	DATE		CHECKED	DATE			APPROVED	DATE	