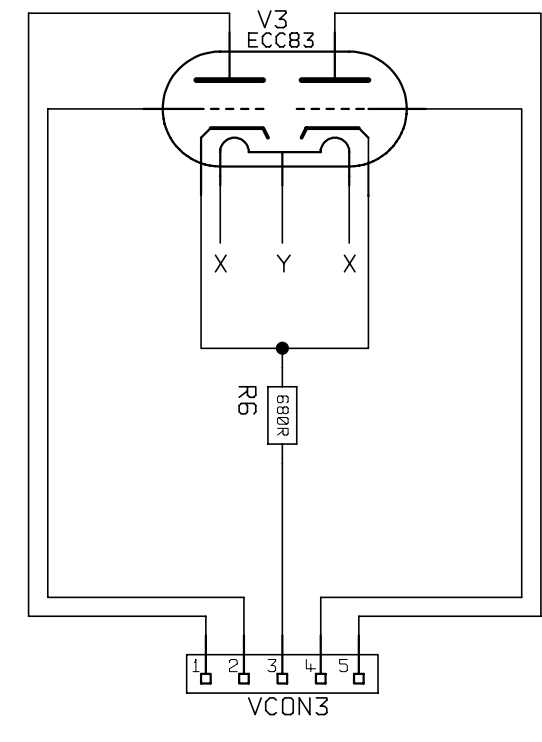
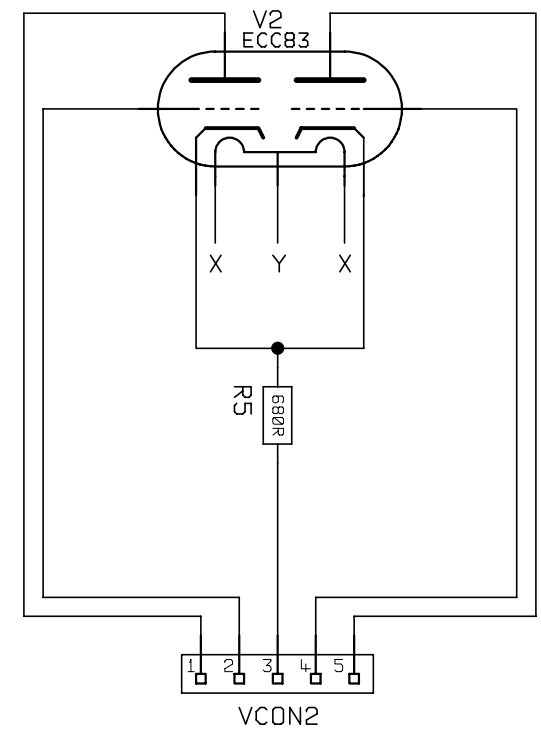
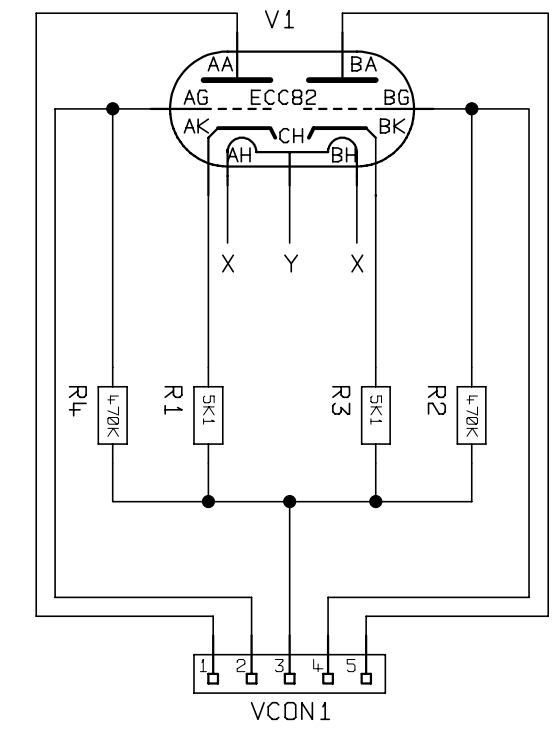
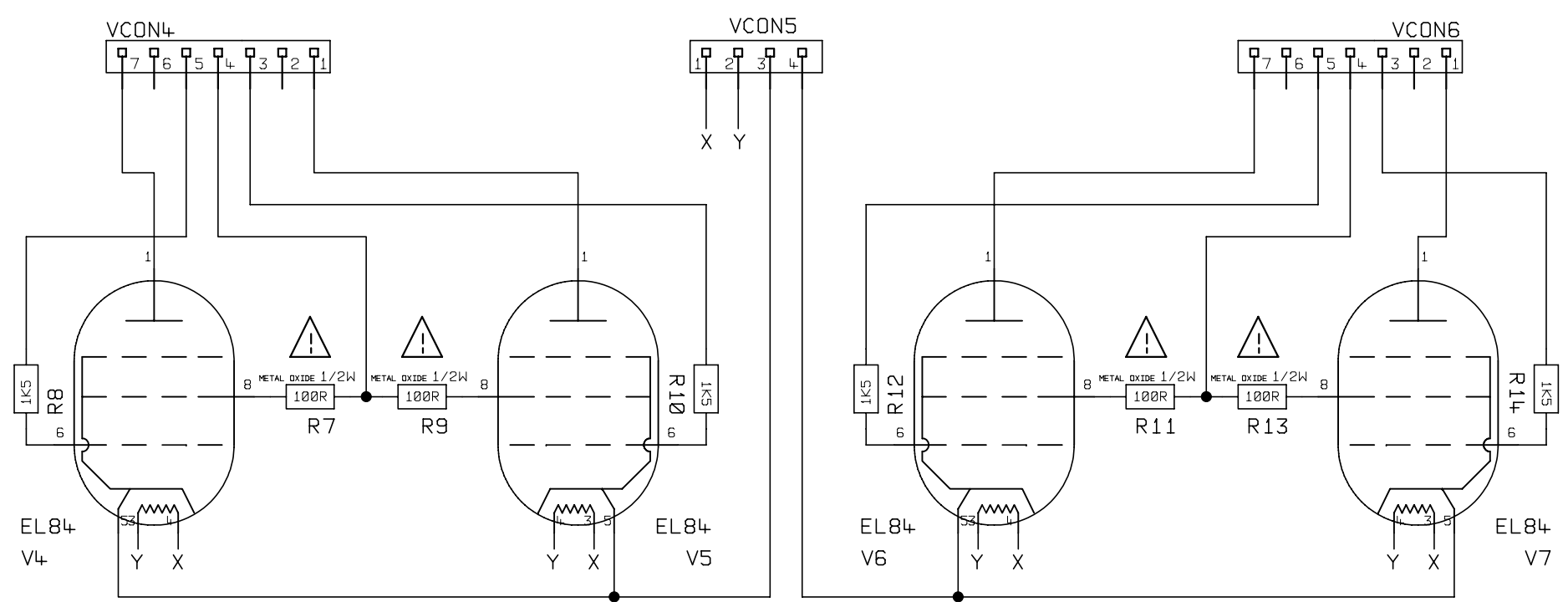


DWG.No. 2020-62-02



ALL OTHER HOLES =	X = ( THROUGH PLATED		
A	E	J	N
B	F	K	P
C	G	L	Q
D	H	M	R

MATERIAL	DIMENSIONS IN
MATERIAL THICKNESS	TOLERANCE ( UNLESS UTHWISE STATED)
DRAWN B.KEIR	DATE 19.09.96
CHECKED	DATE
APPROVED	DATE

MODEL	2020
-------	------



TITLE	VALVE BOARD
	2020 POWER AMPLIFIER
DWG.No	2020-62-02
ISS	1

ISS	ECO NUMBER	DATE
-----	------------	------