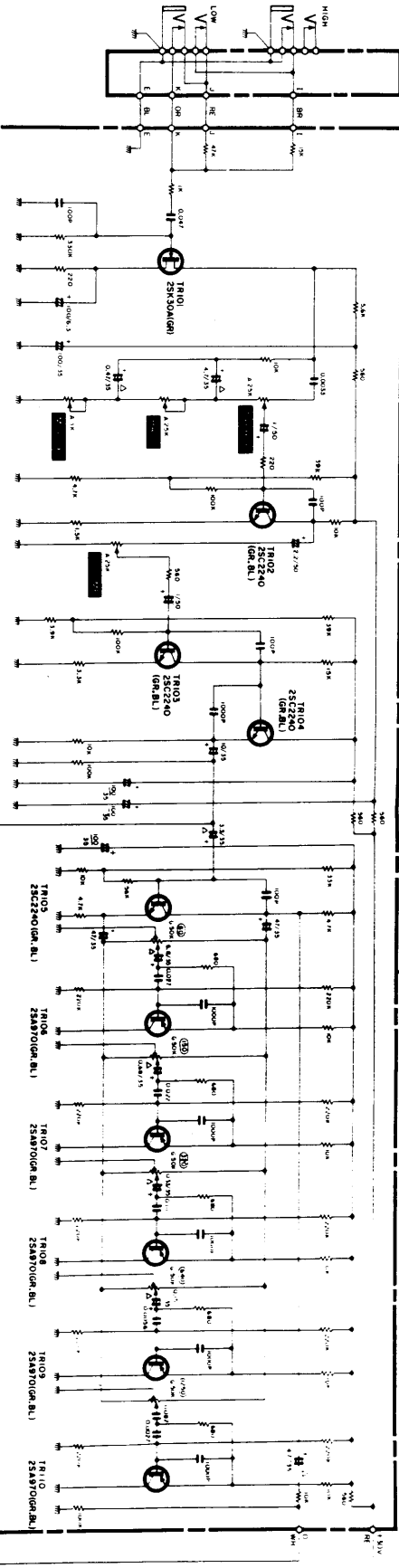


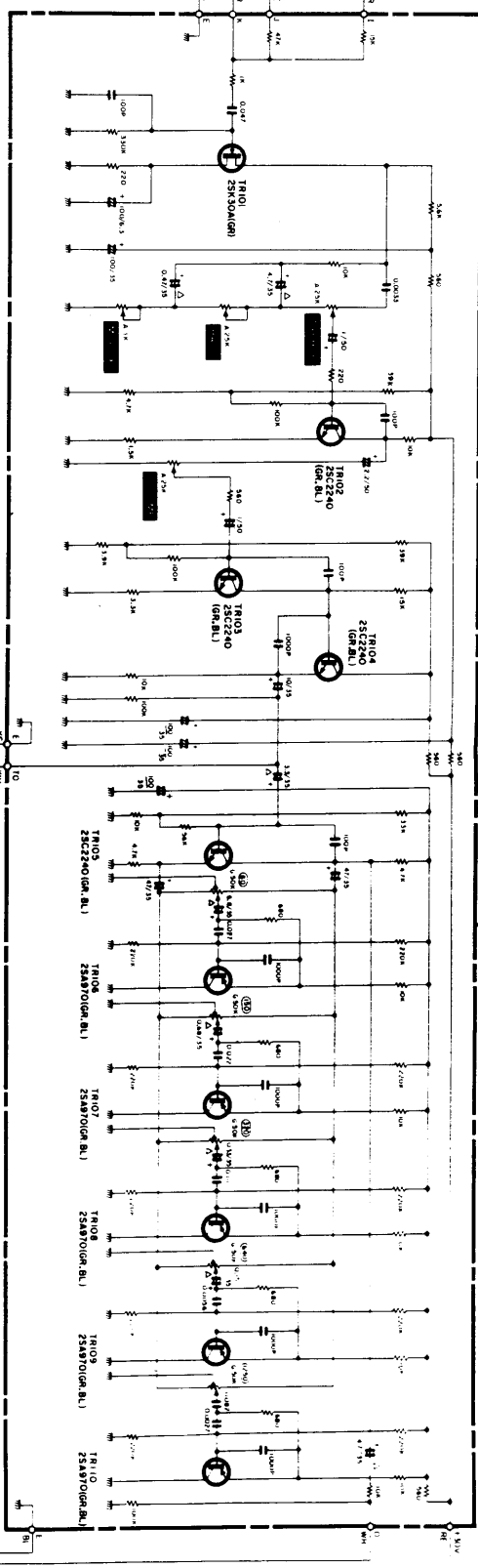
SCHEMATIC DIAGRAM

B100-115IL, B100-115SE

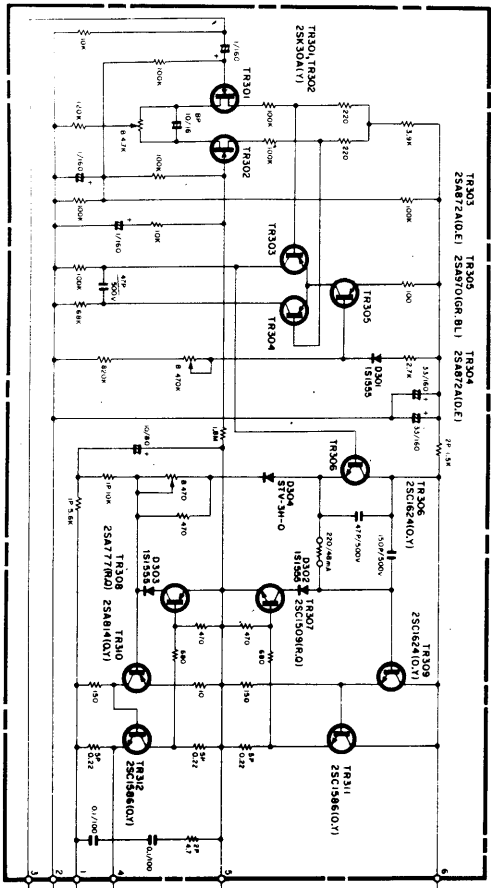
JK BOARD



PA BOARD



MA BOARD



DC BOARD

