



P1 Flush Pull

Low profile · Lift or pull · Single hole mount

- Easy installation
- Deep pocket

Material and Finish

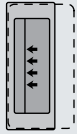
Pull and cup: ABS plastic, black
Screws: Steel, zinc plated

Performance Details

Max. static load:
Lifting / pulling: 1300 N (300 lbf)



Pushing / sliding: 450 N (100 lbf)



Flammability rating:

UL94-HB or UL94-V0

Operating temperature range:

-50°C (-60°F) to 60°C (140°F)

Installation Notes

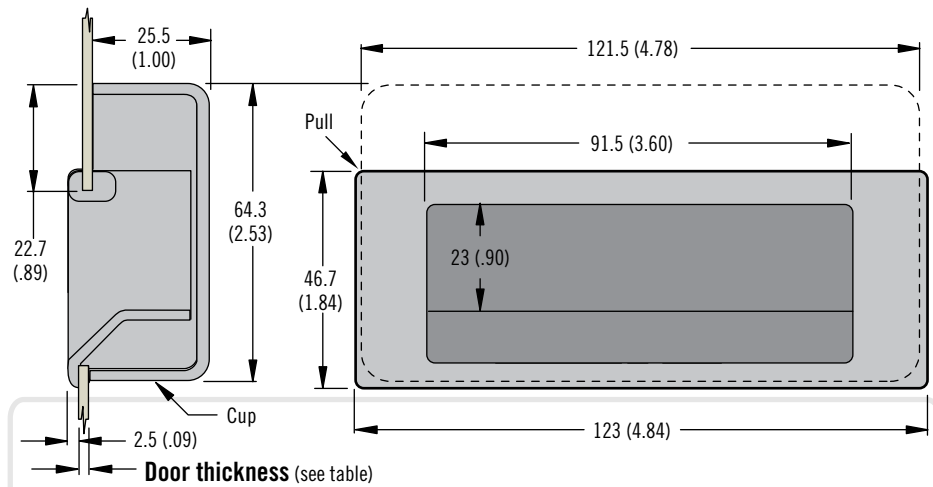
Mounting screws supplied.

Door thickness less than the minimum for each range allows some movement of the pull.

Max. torque for mounting screws is 0.5 N·m (5 in·lbf)

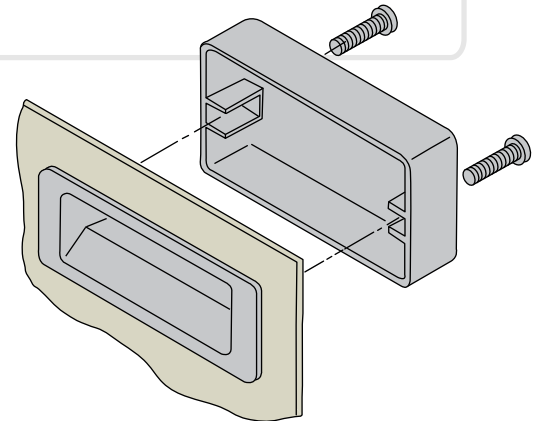
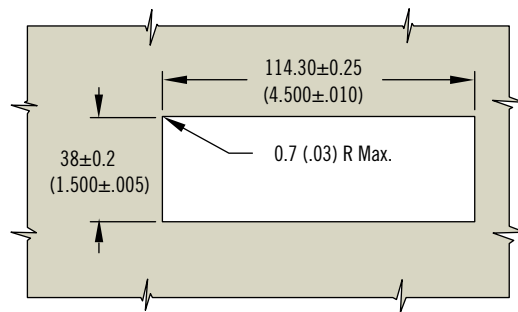
Part Number

See table



ACTUAL SIZE

Two No. 6 BT thread forming screws (supplied)



Door Thickness Range		Part Number	
Min.	Max.	UL94-HB	UL94-V0
1.0 (.040)	1.8 (.070)	P1-30-101-11	P1-31
1.8 (.070)	3.3 (.130)	P1-30-103-11	P1-33
3.3 (.130)	4.8 (.190)	P1-30-105-11	P1-35
4.8 (.190)	6.3 (.250)	P1-30-107-11	P1-37

Dimensions in millimeters (inch) unless otherwise stated



www.southco.com/P1

southco
CONNECT · CREATE · INNOVATE