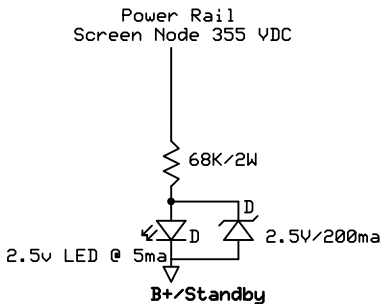
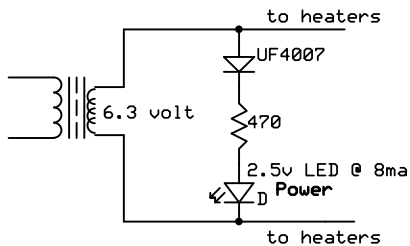
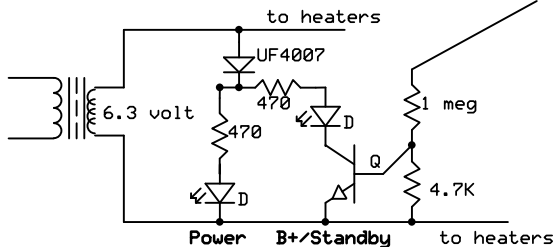


Plan A



Plan B



Power Rail
Screen Node 355 VDC

Note: 2.5V LEDs needing 8ma