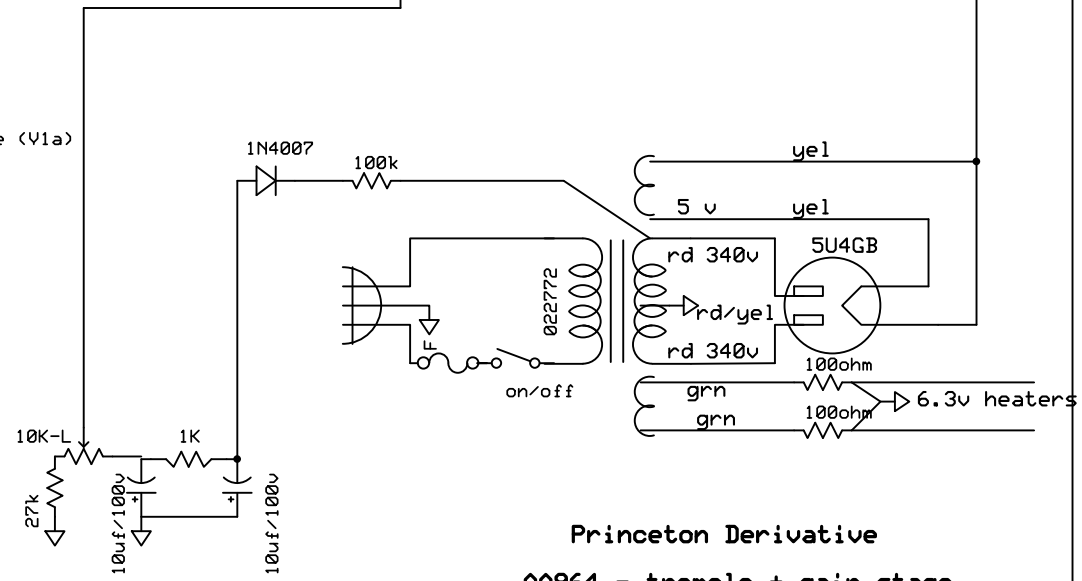


Options:

Substitute 25K audio taper pot for fixed 6.8K Mid resistor?

Reduce 3.3meg isolation resistor to 2.2m or even 1 meg

Add power rail node with 10k resistor & 10uf cap for first triode (V1a)



**Princeton Derivative
AA964 - tremolo + gain stage**

	pin1	pin3	pin6	pin8
V1	160v	1.3v	160v	1.3v
V2	*400	*8v	*	*
V3	160v	1.5v	160v	1.6v
V4	250v	2v	200v	49v