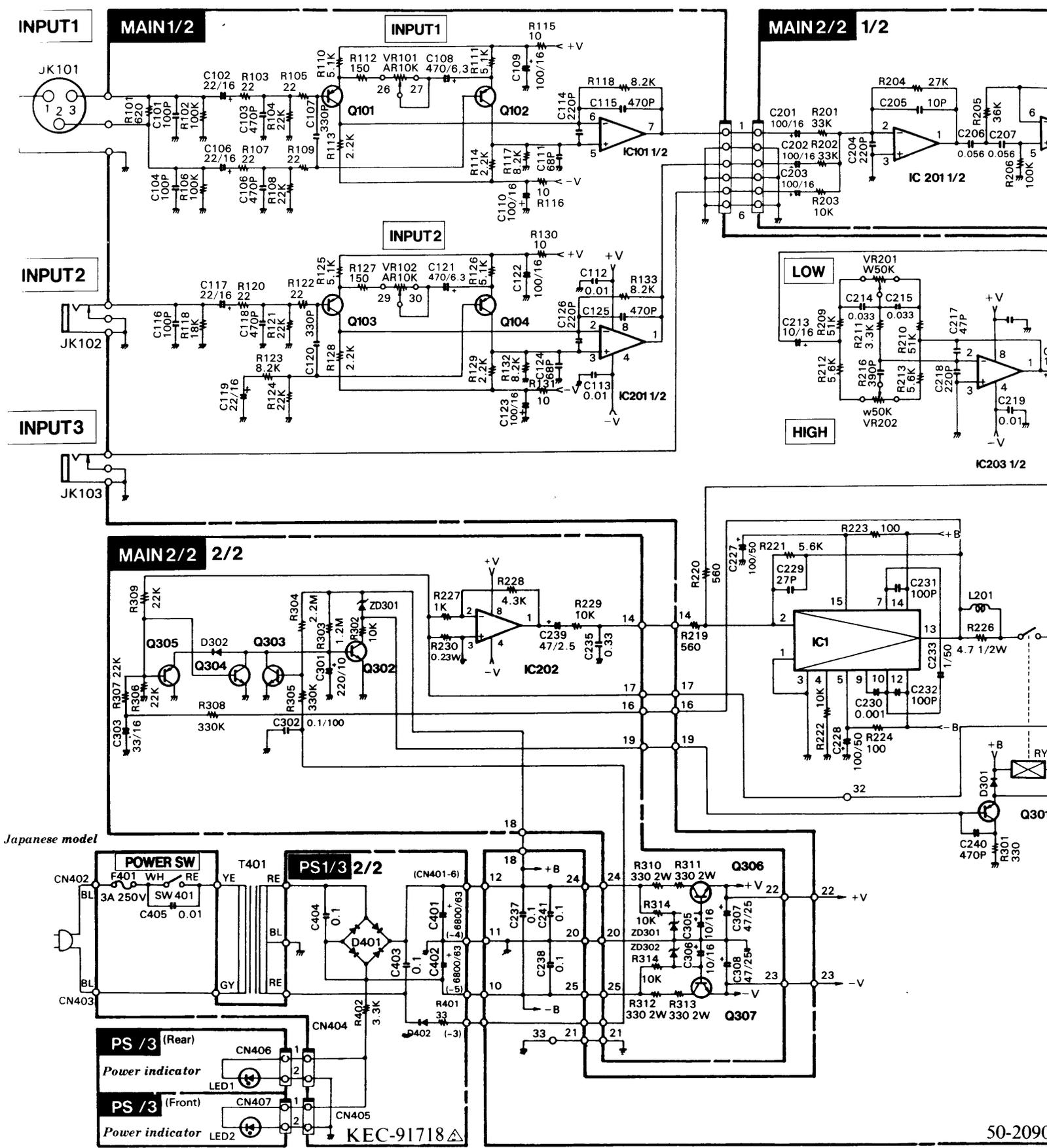


OVERALL CIRCUIT DIAGRAM (総回路図)



Japanese model