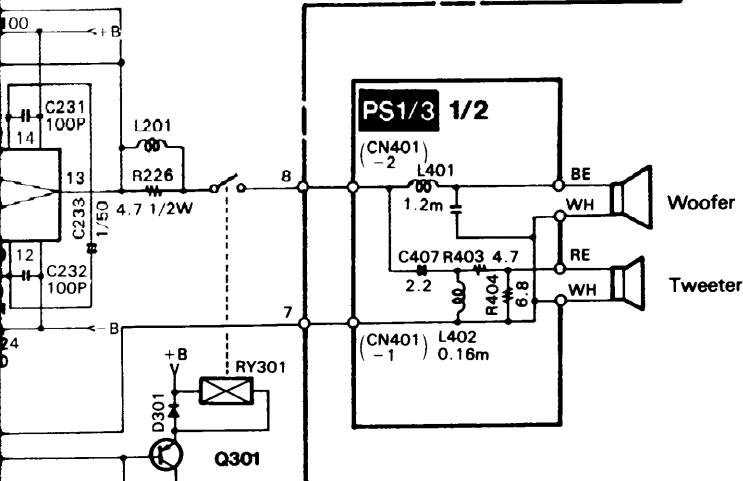


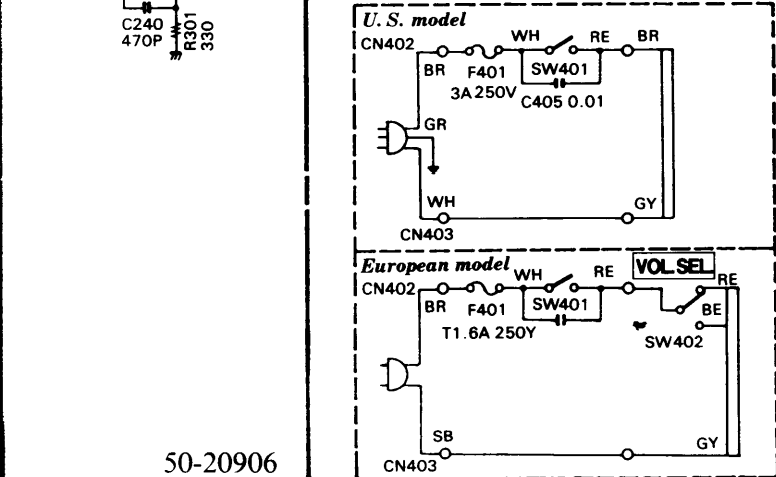
Notes)

- * Circuit Board : MAIN (NX808890)
- 1. IC
 - IC 1 : STK4036-2 (IX802330) POWER AMP
 - IC101, 201, 203 : NJM4558 DX (IX600120) OP AMP
 - IC202 : NJM5532D-D (XA673001) OP AMP
- 2. Transistor
 - Q101-104, 301, 305 : 2SA970 GR (IA097020)
 - Q302-304 : 2SC2240 GR (IC224020)
 - Q306 : 2SC2878A (IX804590)
 - Q307 : 2SA1015 GR (IA101531)
- 3. Diode
 - D301, 302 : MPG06B (IX802430)
- 4. Zener Diode
 - D301 : MTZJ24B (VG442500)
 - D302, 303 : MTZJ15B (VG440800)
- 5. Variable Resistor
 - VR101, 102 : AR10K (HX805900) INPUT 1, 2
 - VR201, 202 : W50K (HX805910) LOW, HIGH
 - VR203 : A10K (HX805890) MASTER
- 6. Trimmer Potentiometer
 - VR204 : B100K (HX805920) LEVEL adj
- 7. XLB Connector
 - JK101 : XLB-3-31 PCV-M01 (LB302320) INPUT 1
- 8. Phone Jack
 - JK102, 103 : EX617BMB (LX802250) INPUT 2, 3
- 9. Relay
 - RY301 : MR301 (24) (KX802540)



Notes)

- Circuit Board : PS (VI655200) XH414B0 J
- Circuit Board : PS (VI655300) XH414B0 U, C
- Circuit Board : PS (VI655400) XH414B0 H, B
- 1. Diode
 - D402 : 1SS82 (IF001400)
- 2. Diode Stack
 - D401 : S4VB20 2.6A 200V (IH001090)
- 3. LED
 - LED401 : SLR-34VR5F RE (VG075800) POWER (REAR)
 - LED402 : SLB-72VRHL5F RE (VI965700) POWER (FRONT)
- 4. Metal Oxide Film Resistor
 - R402 : 3.3k Ω 1W J (VC735400)
- 5. Wire Wound Resistor
 - R403 : 4.7 Ω 5W K (VI343900)
 - R404 : 6.8 Ω 5W (VI980400)
- 6. Flame Proof C. Resistor
 - R401 : 33 Ω 1/4 J (HV754330)
- 7. Electrolytic Cap.
 - C401, 402 : 6800 μ F 63.0V (VI968500)
- 8. Ceramic Cap.
 - C405 : 0.01 μ F 400V (FI384100)
- 9. Mylar Cap.
 - C403, 404 : 0.1 μ F 400V K (VE013000)
- 10. Network Coil
 - L401 : 1.2mm (VI959100)
 - L402 : 0.16mm (VI959000)
- 11. Fuse
 - F401 : T 3.00A 200V (KB000360) J
 - F401 : T 3.00A 250V (KB002650) U, C
 - F401 : T 1.60A 250V (KB001660) H, B
- 12. Terminal
 - CN402, 403 : (VA855400)



50-20906