

SHEET 1 AND 2 REPRESENT -01 AND -07

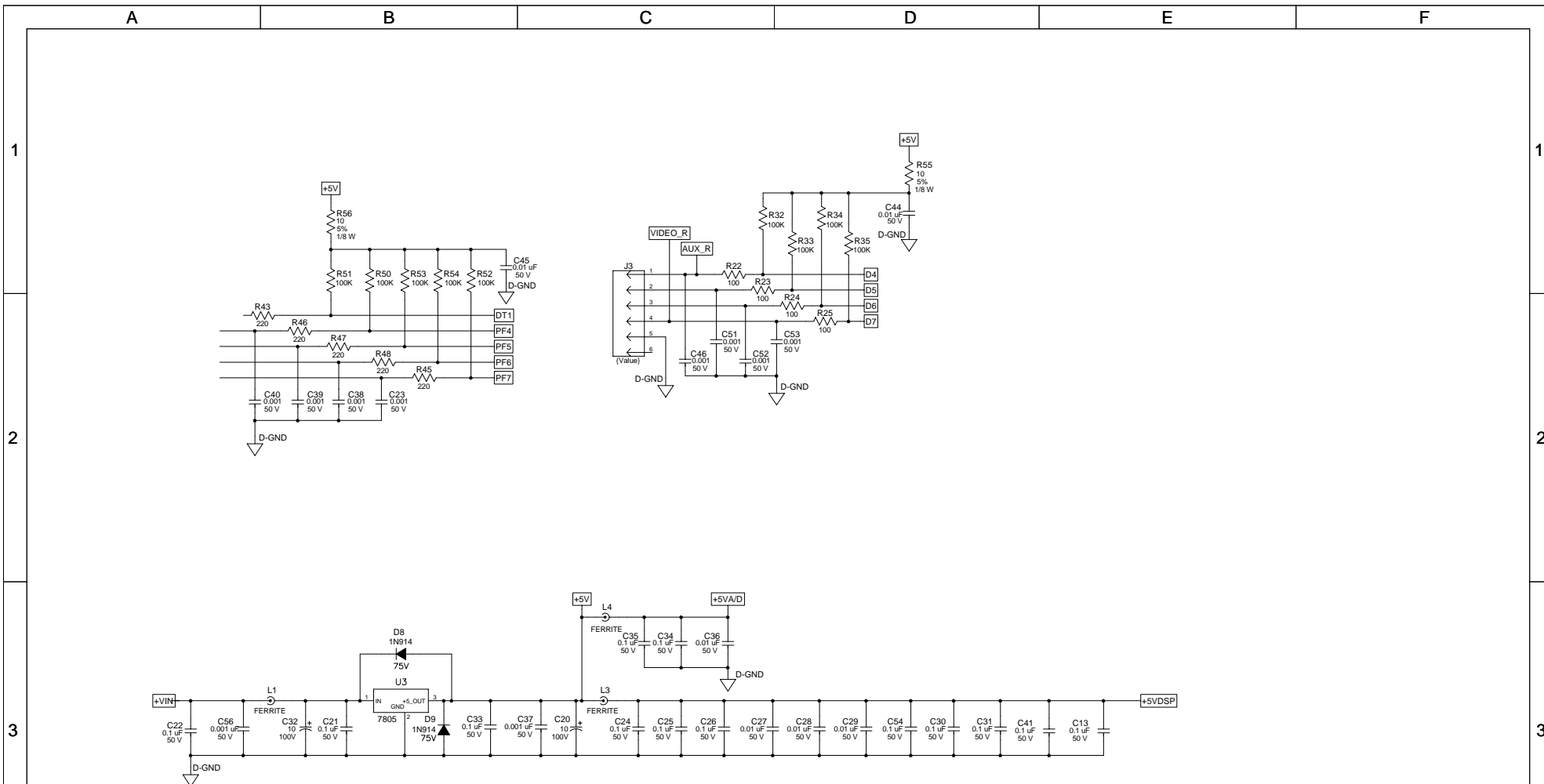
CAUTION:
THIS SCHEMATIC IS PROVIDED FOR USE BY QUALIFIED PERSONNEL TO AVOID RISK OF ELECTRIC SHOCK. REFER SERVICING TO QUALIFIED SERVICE PERSONNEL. DO NOT PERFORM ANY SERVICING BEYOND THAT EXPLAINED IN THE OPERATING INSTRUCTIONS.

NOTES:
1) CAUTION: SHOCK HAZARD!! THIS UNIT CONTAINS HAZARDOUS VOLTAGE. DISCONNECT POWER AND BE SURE POWER SUPPLY IS DISCHARGED BEFORE TOUCHING INTERNAL PARTS.
2) UNLESS NOTED, RESISTOR VALUES IN OHMS, 1/4W-5% TOL. CAPACITOR VALUES IN MICROFARADS, 50V-10% TOL.
3) VOLTAGES ARE MEASURED WITH 1 MEGOHM OSCILLOSCOPE AND 10 MEGOHM DIGITAL VOLTMETER.

Ref Des	Device(Type)	Package	+5VA/D	+5VRS1	+5VDSP	+5V	D-GND
U1	37S18601_	TOFP100			98,67,59,36,18,15		92,80,71,66,60,41,28,17,12,3
U2	37S08101_	ST-48	38,25	9,1			42,26,7,4
U4	37S18103_	SOT-23		3			1
U5	3700101_	32PLCC	32PLCC		32,1		16
U6	37S87201_	SQJ32,3			32		16
U8	37S18102_	SOT-23				3	1

REV	Date	DESCRIPTION	Ecr(s)/Ecn(s)	Chgd By	Appvd by	Date
3	5-3-02	ADDED -18 AND -19			N00819	RLB
2	11-28-01	ADDED DASH -15, -16 AND -17			N00746	RLB

1	9-29-00	ADDED DASH -10, -12 & -14	D000717	RLB		
0	4-28-00	CONTROL ISSUE		RLB		
A		INITIAL ISSUE				
REV	Date	DESCRIPTION	Ecr(s)/Ecn(s)	Chgd By	Appvd by	Date
THE INFORMATION CONTAINED ON THIS DRAWING IS PROPRIETARY TO ST. LOUIS MUSIC, INC						
Signatures:		Date:		 11880 Borman Drive, St. Louis, MO 63146 First Used On:		
Drawn: RLB		10-5-99				
Checked:						
Released:						
Plot Date: Mon May 06, 2002		Drawing Size: C		Drawing Title: DSP EFFECTS BD		
Plot Time: 08:00:10		Drawing Type: Schematic		Drawing Number: 07S886-XX		
Tolerance:		Class Code: NONE		Sheet 1 of 18		



SHEET 1 AND 2 REPRESENT -01 AND -07

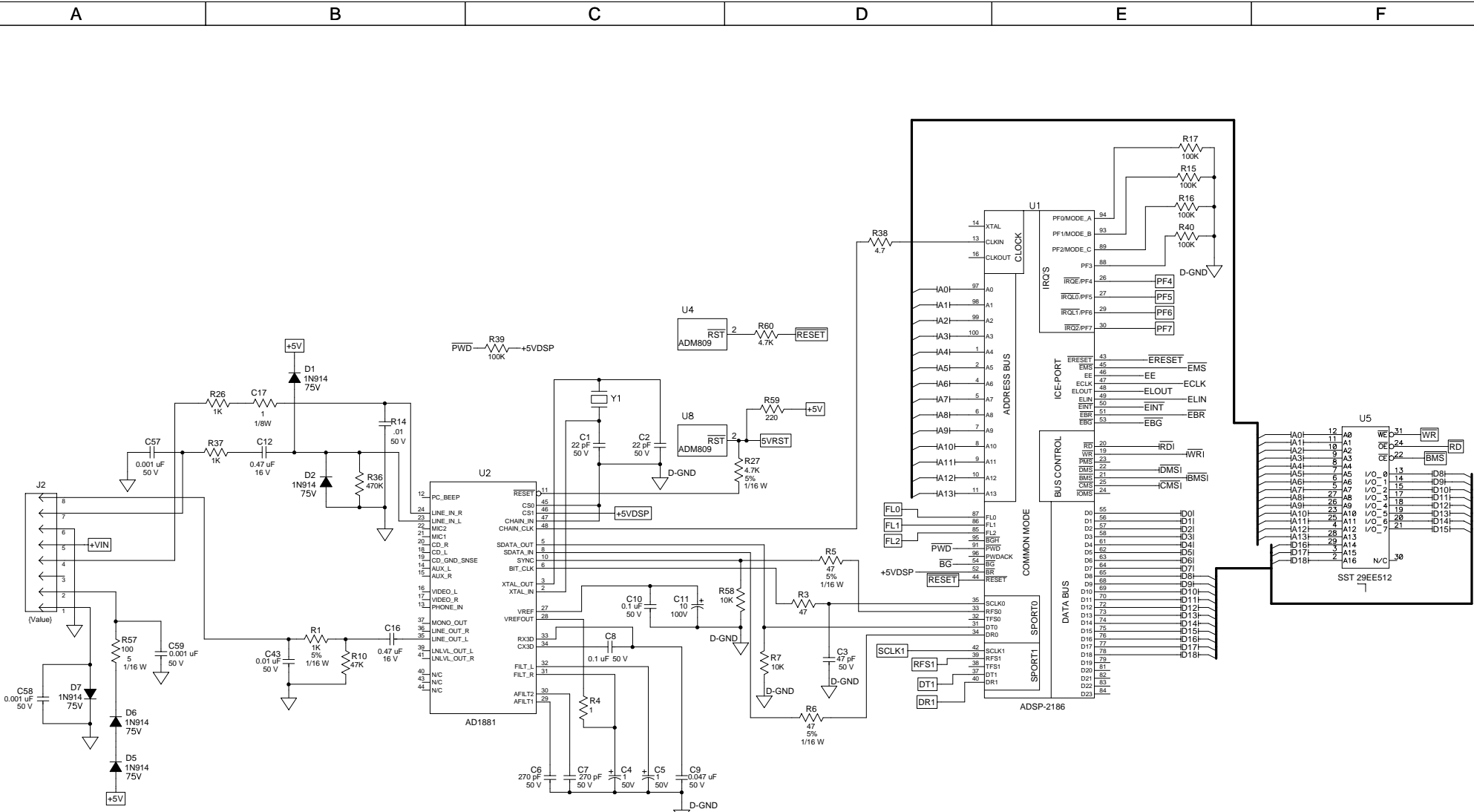
CAUTION:
 THIS SCHEMATIC IS PROVIDED FOR USE BY QUALIFIED PERSONNEL.
 TO AVOID RISK OF ELECTRIC SHOCK, REFER SERVICING TO QUALIFIED
 SERVICE PERSONNEL. DO NOT PERFORM ANY SERVICING BEYOND
 THAT EXPLAINED IN THE OPERATING INSTRUCTIONS.

- NOTES:**
- 1) CAUTION: SHOCK HAZARD!! THIS UNIT CONTAINS HAZARDOUS VOLTAGE. DISCONNECT POWER AND BE SURE POWER SUPPLY IS DISCHARGED BEFORE TOUCHING INTERNAL PARTS.
 - 2) UNLESS NOTED, RESISTOR VALUES IN OHMS, 1/4W-5% TOL. CAPACITOR VALUES IN MICROFARADS, 50V-10% TOL.
 - 3) VOLTAGES ARE MEASURED WITH 1 MEGOHM OSCILLOSCOPE AND 10 MEGOHM DIGITAL VOLTMETER.

1	9-29-00	ADDED DASH -10, -12 & -14	D000717	RLB		
0	4-28-00	CONTROL ISSUE		RLB		
A		INITIAL ISSUE				
REV	Date	DESCRIPTION	Ecr(s)/Ecrn(s)	Chgd By	Appvd by	Date
THE INFORMATION CONTAINED ON THIS DRAWING IS PROPRIETARY TO ST. LOUIS MUSIC, INC.						
Signatures:			Date:		 11880 Boman Drive, St. Louis, MO 63146 First Used On:	
Drawn: RLB			10-5-99			
Checked:						
Released:					Drawing Title: DSP EFFECTS BD	
Plot Date: Mon May 06, 2002		Drawing Size: C		Drawing Number: 07S886-XX		
Plot Time: 08:00:10		Drawing Type: Schematic		Sheet 2 of 18		
Tolerance:			Class Code: NONE			

3	5-3-02	ADDED -18 AND -19	N00819	RLB		
2	11-28-01	ADDED DASH -15, -16 AND -17	N00746	RLB		
REV	Date	DESCRIPTION	Ecr(s)/Ecrn(s)	Chgd By	Appvd by	Date

PWB1



SHEET 3 AND 4 REPRESENT -02, -03, -04 AND -08

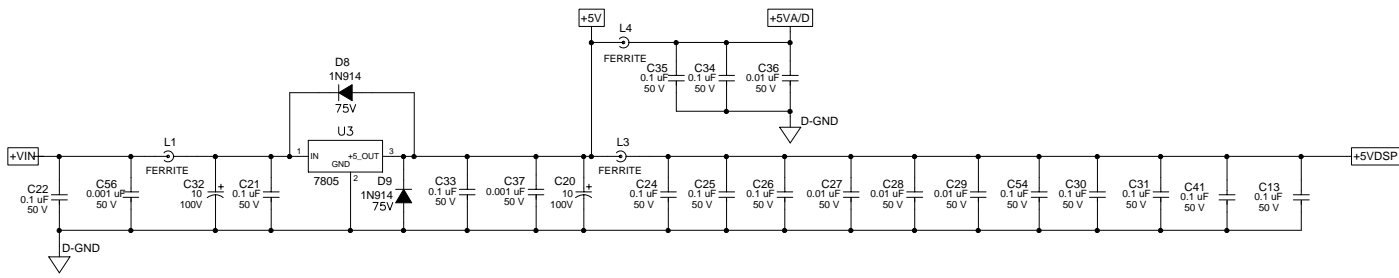
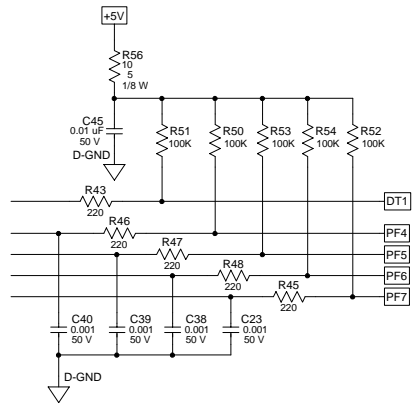
CAUTION:
 THIS SCHEMATIC IS PROVIDED FOR USE BY QUALIFIED PERSONNEL TO AVOID RISK OF ELECTRIC SHOCK. REFER SERVICING TO QUALIFIED SERVICE PERSONNEL. DO NOT PERFORM ANY SERVICING BEYOND THAT EXPLAINED IN THE OPERATING INSTRUCTIONS.

NOTES:
 1) CAUTION: SHOCK HAZARD!! THIS UNIT CONTAINS HAZARDOUS VOLTAGE. DISCONNECT POWER AND BE SURE POWER SUPPLY IS DISCHARGED BEFORE TOUCHING INTERNAL PARTS.
 2) UNLESS NOTED, RESISTOR VALUES IN OHMS, 1/4W-5% TOL. CAPACITOR VALUES IN MICROFARADS, 50V-10% TOL.
 3) VOLTAGES ARE MEASURED WITH 1 MEGOHM OSCILLOSCOPE AND 10 MEGOHM DIGITAL VOLTMETER.

Power Table						
Ref Des	Device(Type)	Package	+5VA/D5VRST	+5VDSP	+5V	D-GND
U1	37S18601_	TOFP100		98,67,59,36,18,15	92,80,71,66,60,41,28,17,12,3	
U2	37S88101	ST-48	38,25	9,1		42,26,7,4
U4	37S18103	SOT-23				
U5	3700101_32PLCC	32PLCC		32,1		16
U8	37S18103_	SOT-23			3	1

REV	Date	DESCRIPTION	Ecr(s)/Ecn(s)	Chgd By	Appvd by	Date
3	5-3-02	ADDED -18 AND -19			N00819	RLB
2	11-28-01	ADDED DASH -15, -16 AND -17			N00746	RLB

1	9-29-00	ADDED DASH -10, -12 & -14	D000717	RLB		
0	4-28-00	CONTROL ISSUE		RLB		
A		INITIAL ISSUE				
REV	Date	DESCRIPTION	Ecr(s)/Ecn(s)	Chgd By	Appvd by	Date
THE INFORMATION CONTAINED ON THIS DRAWING IS PROPRIETARY TO ST. LOUIS MUSIC, INC						
Signatures:		Date:		 11880 Borman Drive, St. Louis, MO 63146		
Drawn: RLB		10-5-99				
Checked:				First Used On:		
Released:				Drawing Title: DSP EFFECTS BD		
Plot Date: Mon May 06, 2002		Drawing Size: C		Drawing Number: 07S886-XX		
Plot Time: 08:02:51		Drawing Type: Schematic		Sheet 3 of 18		
Tolerance:		Class Code: NONE				

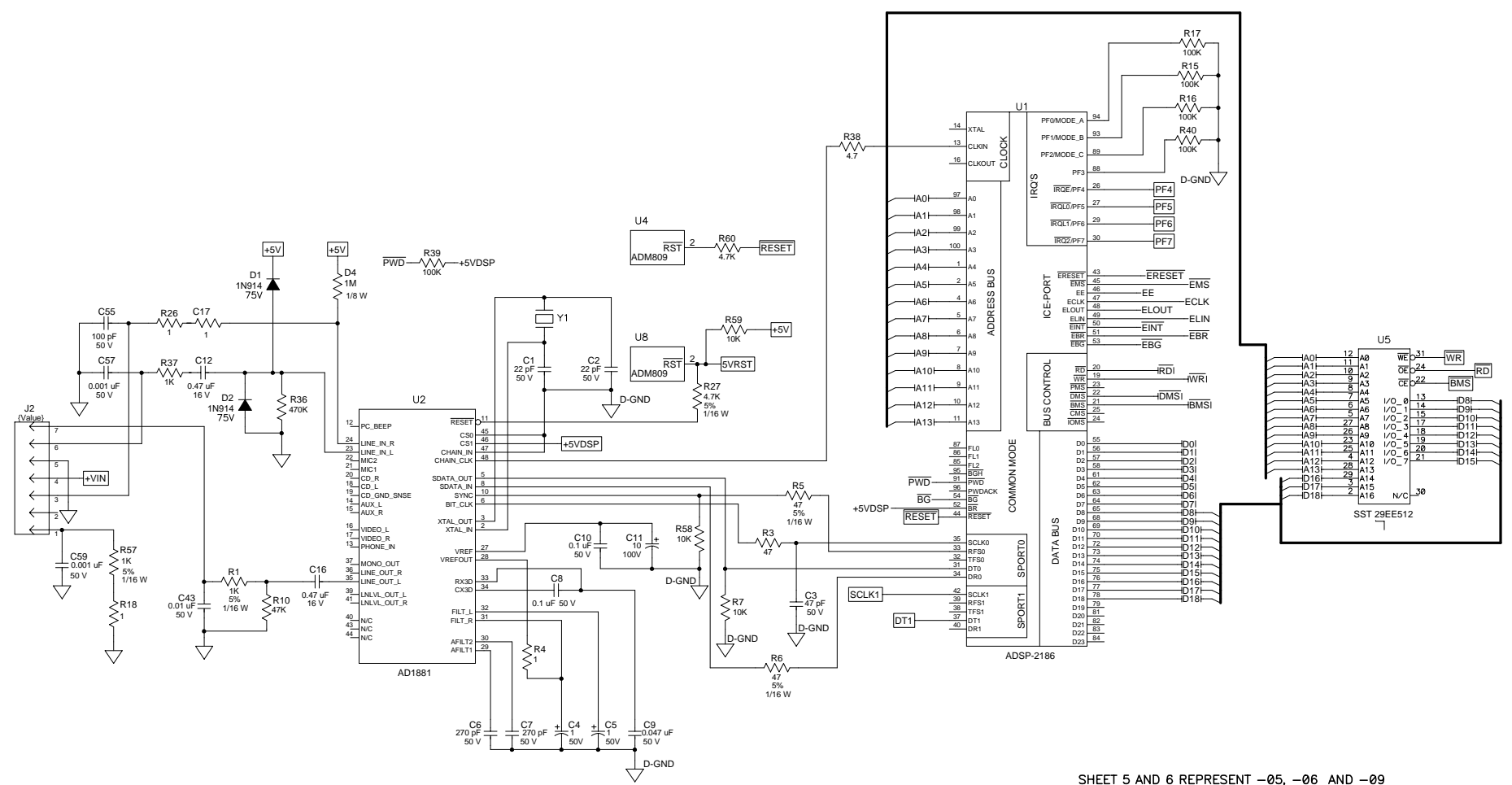


SHEET 3 AND 4 REPRESENT -02, -03, -04 AND -08

CAUTION:
 THIS SCHEMATIC IS PROVIDED FOR USE BY QUALIFIED PERSONNEL TO AVOID RISK OF ELECTRIC SHOCK. REFER SERVICING TO QUALIFIED SERVICE PERSONNEL. DO NOT PERFORM ANY SERVICING BEYOND THAT EXPLAINED IN THE OPERATING INSTRUCTIONS.

- NOTES:**
 1) CAUTION: SHOCK HAZARD!! THIS UNIT CONTAINS HAZARDOUS VOLTAGE. DISCONNECT POWER AND BE SURE POWER SUPPLY IS DISCHARGED BEFORE TOUCHING INTERNAL PARTS.
 2) UNLESS NOTED, RESISTOR VALUES IN OHMS, 1/4W-5% TOL. CAPACITOR VALUES IN MICROFARADS, 50V-10% TOL.
 3) VOLTAGES ARE MEASURED WITH 1 MEGOHM OSCILLOSCOPE AND 10 MEGOHM DIGITAL VOLTMETER.

1	9-29-00	ADDED DASH -10, -12 & -14	D000717	RLB		
0	4-28-00	CONTROL ISSUE		RLB		
A		INITIAL ISSUE				
REV	Date	DESCRIPTION	Ecr(s)/Ecn(s)	Chgd By	Appvd by	Date
THE INFORMATION CONTAINED ON THIS DRAWING IS PROPRIETARY TO ST. LOUIS MUSIC, INC.						
Signatures:			Date:		 11880 Borman Drive, St. Louis, MO 63146	
Drawn: RLB			10-5-99			
Checked:						
Released:						
Plot Date: Mon May 06, 2002		Drawing Size: C		Drawing Title: DSP EFFECTS BD		
Plot Time: 08:02:51		Drawing Type: Schematic		Drawing Number: 07S886-XX		
Tolerance:		Class Code: NONE		Sheet 4 of 18		
REV	Date	DESCRIPTION	Ecr(s)/Ecn(s)	Chgd By	Appvd by	Date
3	5-3-02	ADDED -18 AND -19	N00819	RLB		
2	11-28-01	ADDED DASH -15, -16 AND -17	N00746	RLB		



SHEET 5 AND 6 REPRESENT -05, -06 AND -09

CAUTION:
 THIS SCHEMATIC IS PROVIDED FOR USE BY QUALIFIED PERSONNEL. TO AVOID RISK OF ELECTRIC SHOCK, REFER SERVICING TO QUALIFIED SERVICE PERSONNEL. DO NOT PERFORM ANY SERVICING BEYOND THAT EXPLAINED IN THE OPERATING INSTRUCTIONS.

NOTES:
 1) CAUTION: SHOCK HAZARD!! THIS UNIT CONTAINS HAZARDOUS VOLTAGE. DISCONNECT POWER AND BE SURE POWER SUPPLY IS DISCHARGED BEFORE TOUCHING INTERNAL PARTS.
 2) UNLESS NOTED, RESISTOR VALUES IN OHMS, 1/4W-5% TOL. CAPACITOR VALUES IN MICROFARADS, 50V-10% TOL.
 3) VOLTAGES ARE MEASURED WITH 1 MEGOHM OSCILLOSCOPE AND 10 MEGOHM DIGITAL VOLTMETER.

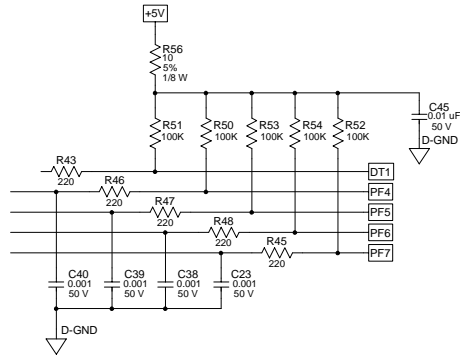
Power Table						
Ref Des	Device(Type)	Package	+5VA/D5VRST	+5VDSP	+5V	D-GND
U1	37S18601_	TOFP100		98,67,59,36,18,15	92,80,71,66,60,41,28,17,12,3	
U2	37S88101	ST-48	38,25	9,1		42,26,7,4
U4	37S18103	SOT-23		32,1		1
U5	3700101_32PLCC	32PLCC				16
U8	37S18103_	SOT-23			3	1

REV	Date	DESCRIPTION	Ecr(s)/Ecn(s)	Chgd By	Appvd by	Date
3	5-3-02	ADDED -18 AND -19		N00819	RLB	
2	11-28-01	ADDED DASH -15, -16 AND -17		N00746	RLB	

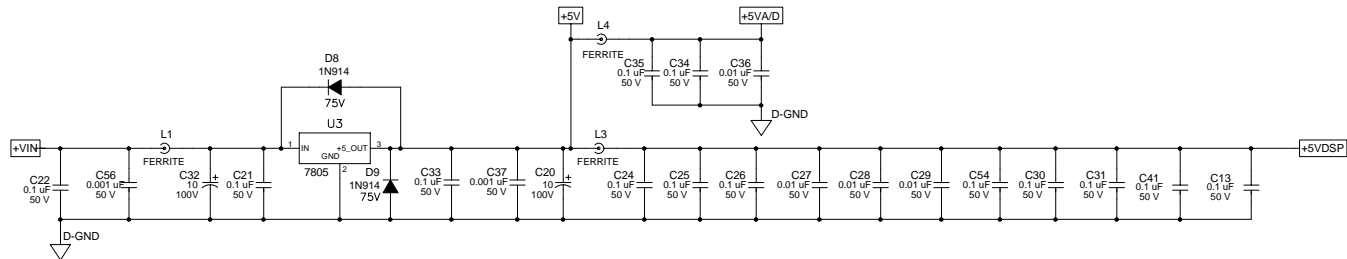
1	9-29-00	ADDED DASH -10, -12 & -14	D000717	RLB		
0	4-28-00	CONTROL ISSUE		RLB		
A		INITIAL ISSUE				
REV	Date	DESCRIPTION	Ecr(s)/Ecn(s)	Chgd By	Appvd by	Date
THE INFORMATION CONTAINED ON THIS DRAWING IS PROPRIETARY TO ST. LOUIS MUSIC, INC						
Signatures:		Date:		 11880 Borman Drive, St. Louis, MO 63146		
Drawn: RLB		10-5-99				
Checked:						
Released:				First Used On:		
Plot Date: Mon May 06, 2002		Drawing Size: C		Drawing Title: DSP EFFECTS BD		
Plot Time: 08:05:11		Drawing Type: Schematic		Drawing Number: 07S886-XX		
Tolerance:		Class Code: NONE		Sheet 5 of 18		

A B C D E F

1



2



3

SHEET 5 AND 6 REPRESENT -05, -06 AND -09

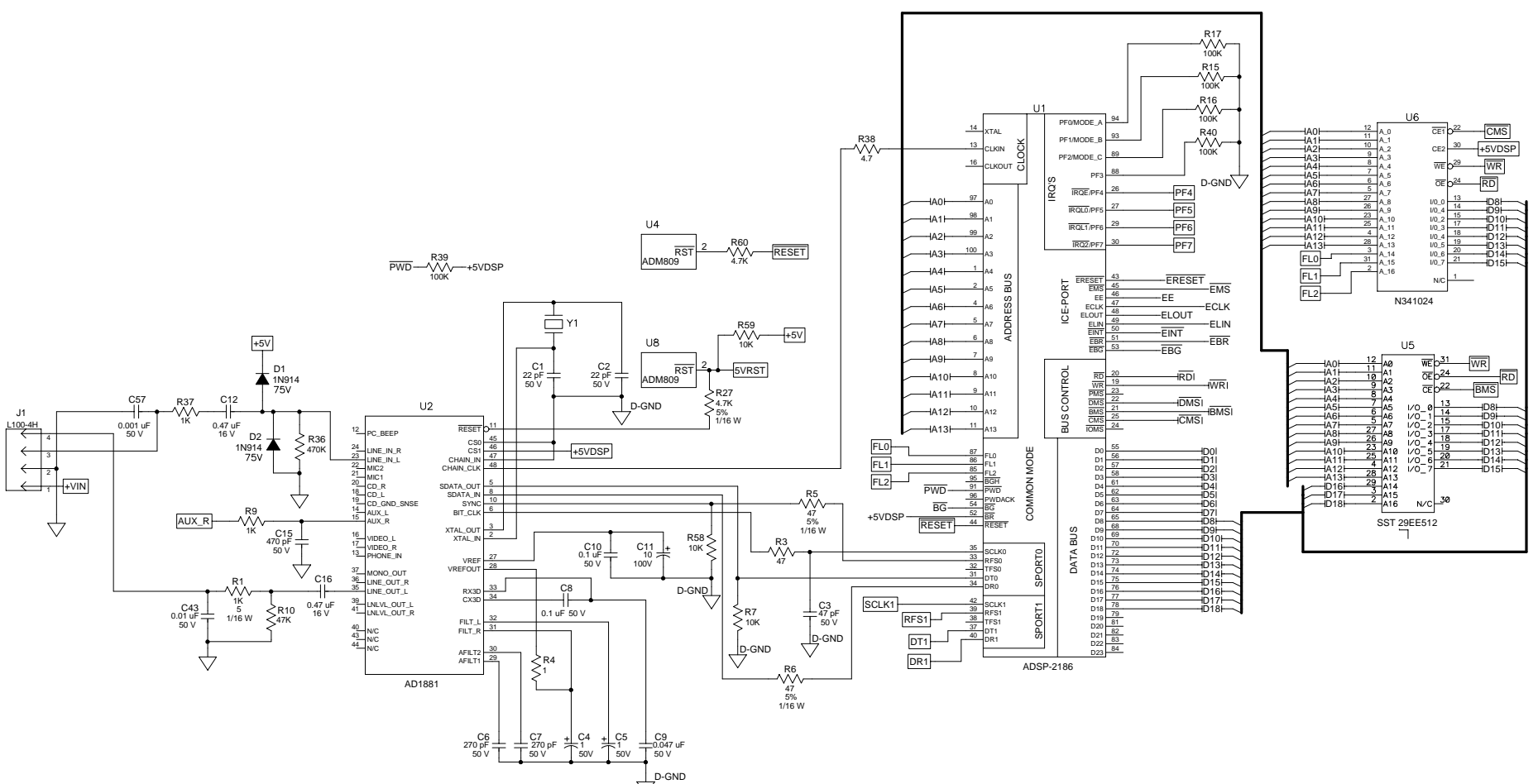
CAUTION:
THIS SCHEMATIC IS PROVIDED FOR USE BY QUALIFIED PERSONNEL. TO AVOID RISK OF ELECTRIC SHOCK, REFER SERVICING TO QUALIFIED SERVICE PERSONNEL. DO NOT PERFORM ANY SERVICING BEYOND THAT EXPLAINED IN THE OPERATING INSTRUCTIONS.

- NOTES:**
- 1) CAUTION: SHOCK HAZARD!! THIS UNIT CONTAINS HAZARDOUS VOLTAGE. DISCONNECT POWER AND BE SURE POWER SUPPLY IS DISCHARGED BEFORE TOUCHING INTERNAL PARTS.
 - 2) UNLESS NOTED, RESISTOR VALUES IN OHMS, 1/4W-5% TOL. CAPACITOR VALUES IN MICROFARADS, 50V-10% TOL.
 - 3) VOLTAGES ARE MEASURED WITH 1 MEGOHM OSCILLOSCOPE AND 10 MEGOHM DIGITAL VOLTMETER.

1	9-29-00	ADDED DASH -10, -12 & -14	D000717	RLB		
0	4-28-00	CONTROL ISSUE		RLB		
A		INITIAL ISSUE				
REV	Date	DESCRIPTION	Ecr(s)/Ecn(s)	Chgd By	Appvd by	Date
THE INFORMATION CONTAINED ON THIS DRAWING IS PROPRIETARY TO ST. LOUIS MUSIC, INC.						
Signatures:			Date:		 11880 Borman Drive, St. Louis, MO 63146	
Drawn: RLB			10-5-99			
Checked:					First Used On:	
Released:						
Plot Date: Mon May 06, 2002		Drawing Size: C		Drawing Title: DSP EFFECTS BD		
Plot Time: 08:05:11		Drawing Type: Schematic		Drawing Number: 07S886-XX		
Tolerance:			Class Code: NONE		Sheet 6 of 18	
REV	Date	DESCRIPTION	Ecr(s)/Ecn(s)	Chgd By	Appvd by	Date
3	5-3-02	ADDED -18 AND -19	N00819	RLB		
2	11-28-01	ADDED DASH -15, -16 AND -17	N00746	RLB		

4

A B C D E F



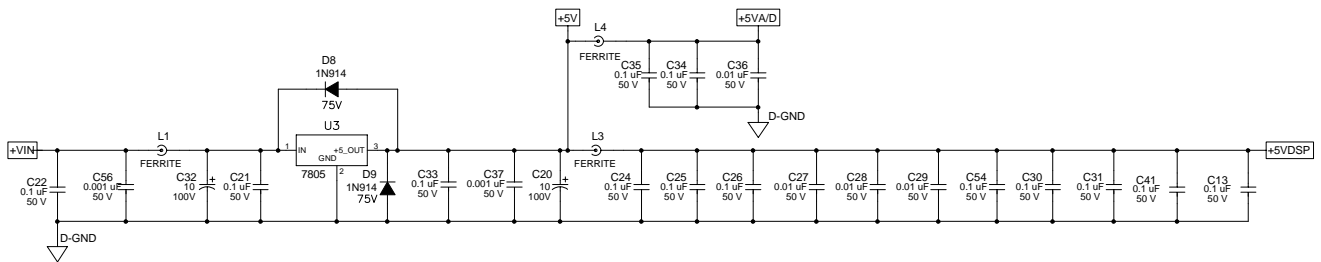
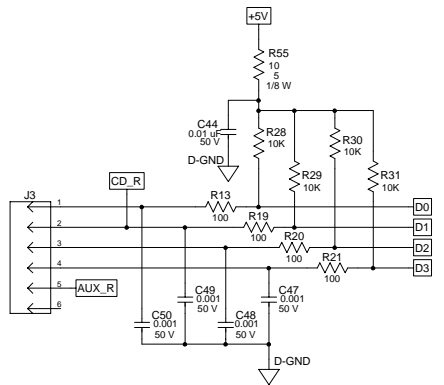
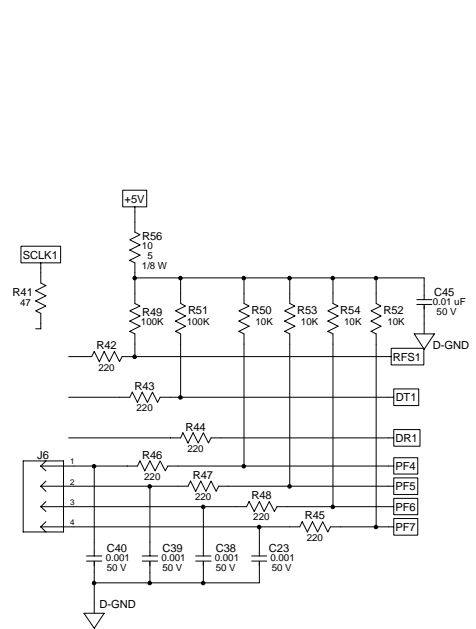
SHEET 7 AND 8 REPRESENT - 10

CAUTION:
 THIS SCHEMATIC IS PROVIDED FOR USE BY QUALIFIED PERSONNEL TO AVOID RISK OF ELECTRIC SHOCK. REFER SERVICING TO QUALIFIED SERVICE PERSONNEL. DO NOT PERFORM ANY SERVICING BEYOND THAT EXPLAINED IN THE OPERATING INSTRUCTIONS.

NOTES:
 1) CAUTION: SHOCK HAZARD!! THIS UNIT CONTAINS HAZARDOUS VOLTAGE. DISCONNECT POWER AND BE SURE POWER SUPPLY IS DISCHARGED BEFORE TOUCHING INTERNAL PARTS.
 2) UNLESS NOTED, RESISTOR VALUES IN OHMS, 1/4W-5% TOL. CAPACITOR VALUES IN MICROFARADS, 50V-10% TOL.
 3) VOLTAGES ARE MEASURED WITH 1 MEGOHM OSCILLOSCOPE AND 10 MEGOHM DIGITAL VOLTMETER.

Power Table					
Ref Des	Device(Type)	Package	+5VA/D	+5VRS1	+5VRS2
U1	37S18601_	TOFP100		98,67,59,36,18,15	92,80,71,66,60,41,28,17,12,3
U2	37S08101_	ST-48	38,25	9,1	42,26,7,4
U4	37S18103_	SOT-23		3	1
U5	3700101_	32PLCC	32PLCC	32,1	16
U6	37S87201_	SOJ32,3		32	16
U8	37S18103_	SOT-23			3 1

3	5-3-02	ADDED DASH -18 & -19	N00819	RLB		
2	11-28-01	ADDED DASH -15, -16 & -17	N00746	RLB		
1	9-29-00	ADDED DASH -10, -12 & -14	D000717	RLB		
REV	Date	DESCRIPTION	Ecr(s)/Ecn(s)	Chgd By	Appvd by	Date
THE INFORMATION CONTAINED ON THIS DRAWING IS PROPRIETARY TO ST. LOUIS MUSIC, INC						
Signatures:			Date:		 11880 Borman Drive, St. Louis, MO 63146	
Drawn: RLB			10-5-99			
Checked:						
Released:					First Used On:	
Plot Date: Mon May 06, 2002		Drawing Size: C		Drawing Title: PWA, DSP EFFECTS		
Plot Time: 08:07:13		Drawing Type: Schematic		Drawing Number: 07S886-XX		
Tolerance:		Class Code: NONE		Sheet 7 of 18		

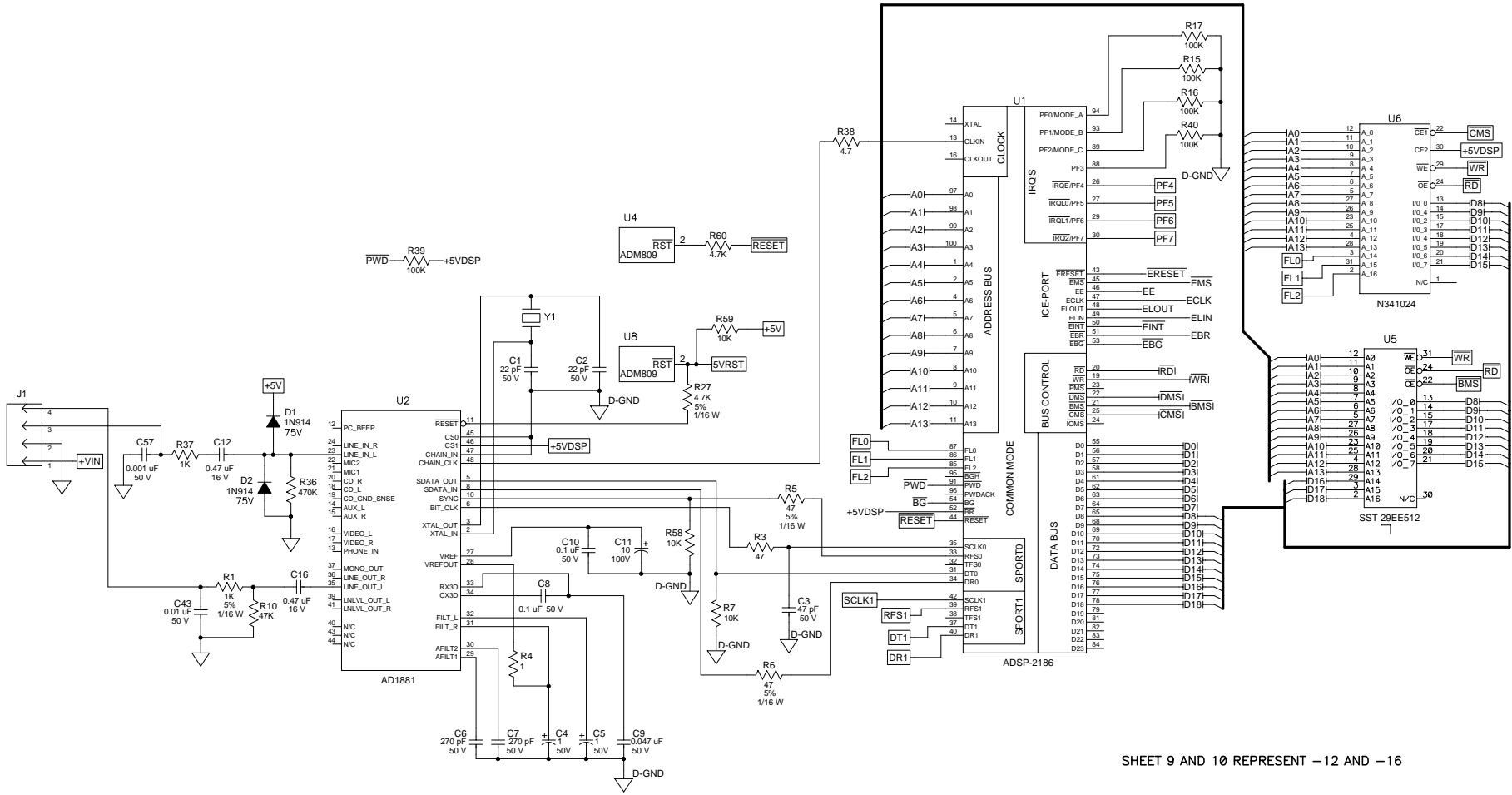


SHEET 7 AND 8 REPRESENT -10

CAUTION:
 THIS SCHEMATIC IS PROVIDED FOR USE BY QUALIFIED PERSONNEL. TO AVOID RISK OF ELECTRIC SHOCK, REFER SERVICING TO QUALIFIED SERVICE PERSONNEL. DO NOT PERFORM ANY SERVICING BEYOND THAT EXPLAINED IN THE OPERATING INSTRUCTIONS.

NOTES:
 1) CAUTION: SHOCK HAZARD!! THIS UNIT CONTAINS HAZARDOUS VOLTAGE. DISCONNECT POWER AND BE SURE POWER SUPPLY IS DISCHARGED BEFORE TOUCHING INTERNAL PARTS.
 2) UNLESS NOTED, RESISTOR VALUES IN OHMS, 1/4W-5% TOL. CAPACITOR VALUES IN MICROFARADS, 50V-10% TOL.
 3) VOLTAGES ARE MEASURED WITH 1 MEGOHM OSCILLOSCOPE AND 10 MEGOHM DIGITAL VOLTMETER.

3	5-3-02	ADDED DASH -18 & -19	N00819	RLB		
2	11-28-01	ADDED DASH -15, -16 & -17	N00746	RLB		
1	9-29-00	ADDED DASH -10, -12 & -14	D000717	RLB		
REV	Date	DESCRIPTION	Ecr(s)/Ecn(s)	Chgd By	Appvd by	Date
THE INFORMATION CONTAINED ON THIS DRAWING IS PROPRIETARY TO ST. LOUIS MUSIC, INC.						
Signatures:			Date:		 11880 Borman Drive, St. Louis, MO 63146	
Drawn: RLB			10-5-99			
Checked:			Released:		First Used On:	
Plot Date: Mon May 06, 2002		Drawing Size: C		Drawing Title: PWA, DSP EFFECTS		
Plot Time: 08:07:13		Drawing Type: Schematic		Drawing Number: 07S886-XX		
Tolerance:		Class Code: NONE		Sheet 8 of 18		



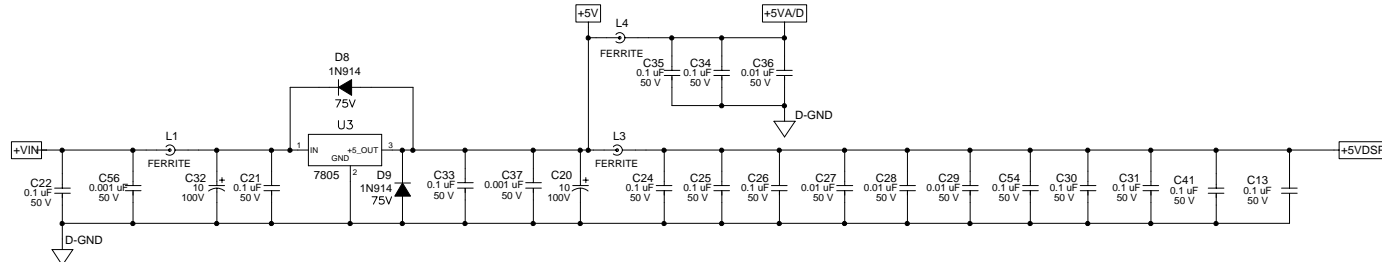
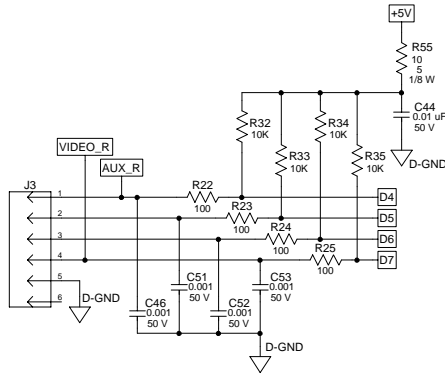
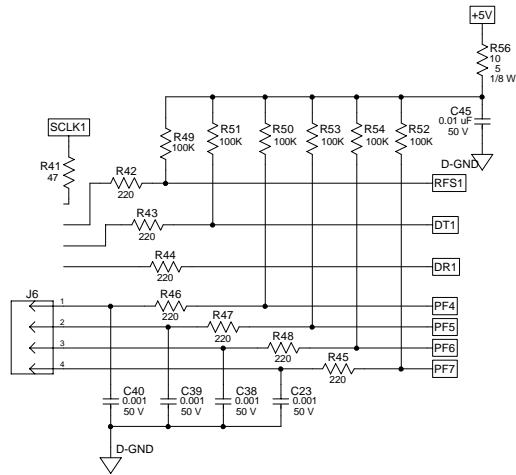
SHEET 9 AND 10 REPRESENT -12 AND -16

CAUTION:
 THIS SCHEMATIC IS PROVIDED FOR USE BY QUALIFIED PERSONNEL TO AVOID RISK OF ELECTRIC SHOCK. REFER SERVICING TO QUALIFIED SERVICE PERSONNEL. DO NOT PERFORM ANY SERVICING BEYOND THAT EXPLAINED IN THE OPERATING INSTRUCTIONS.

NOTES:
 1) CAUTION: SHOCK HAZARD!! THIS UNIT CONTAINS HAZARDOUS VOLTAGE. DISCONNECT POWER AND BE SURE POWER SUPPLY IS DISCHARGED BEFORE TOUCHING INTERNAL PARTS.
 2) UNLESS NOTED, RESISTOR VALUES IN OHMS, 1/4W-5% TOL. CAPACITOR VALUES IN MICROFARADS, 50V-10% TOL.
 3) VOLTAGES ARE MEASURED WITH 1 MEGOHM OSCILLOSCOPE AND 10 MEGOHM DIGITAL VOLTMETER.

Power Table						
Ref Des	Device (Type)	Package	+5VA/D	5VSRST	+5VDSP	D-GND
U1	37S18681_	TOFP100			98,67,59,36,18,15	92,88,71,66,68,41,28,17,12,3
U2	37S88101_	ST-48	38,25	9,1		42,26,7,4
U4	37S18103_	SOT-23		3		1
U5	3780101_	32PLCC	32PLCC		32,1	16
U6	37S87201_	SQJ32.3			32	16
U8	37S18103_	SOT-23			3	1

3	5-3-02	ADDED DASH -18 & -19	N00819	RLB		
2	11-28-01	ADDED DASH -15, -16 & -17	N00746	RLB		
1	9-29-00	ADDED DASH -10, -12 & -14	D000746	RLB		
REV	Date	DESCRIPTION	Ecr(s)/Ecn(s)	Chgd By	Appvd by	Date
THE INFORMATION CONTAINED ON THIS DRAWING IS PROPRIETARY TO ST. LOUIS MUSIC, INC						
Signatures:			Date:		 11880 Borman Drive, St. Louis, MO 63146	
Drawn: RLB			10-5-99			
Checked:			Released:		First Used On:	
Plot Date: Mon May 06, 2002			Drawing Size: C		Drawing Title: PWA, DSP EFFECTS	
Plot Time: 08:09:27			Drawing Type: Schematic		Drawing Number: 07S886-XX	
Tolerance:			Class Code: NONE		Sheet 9 of 18	

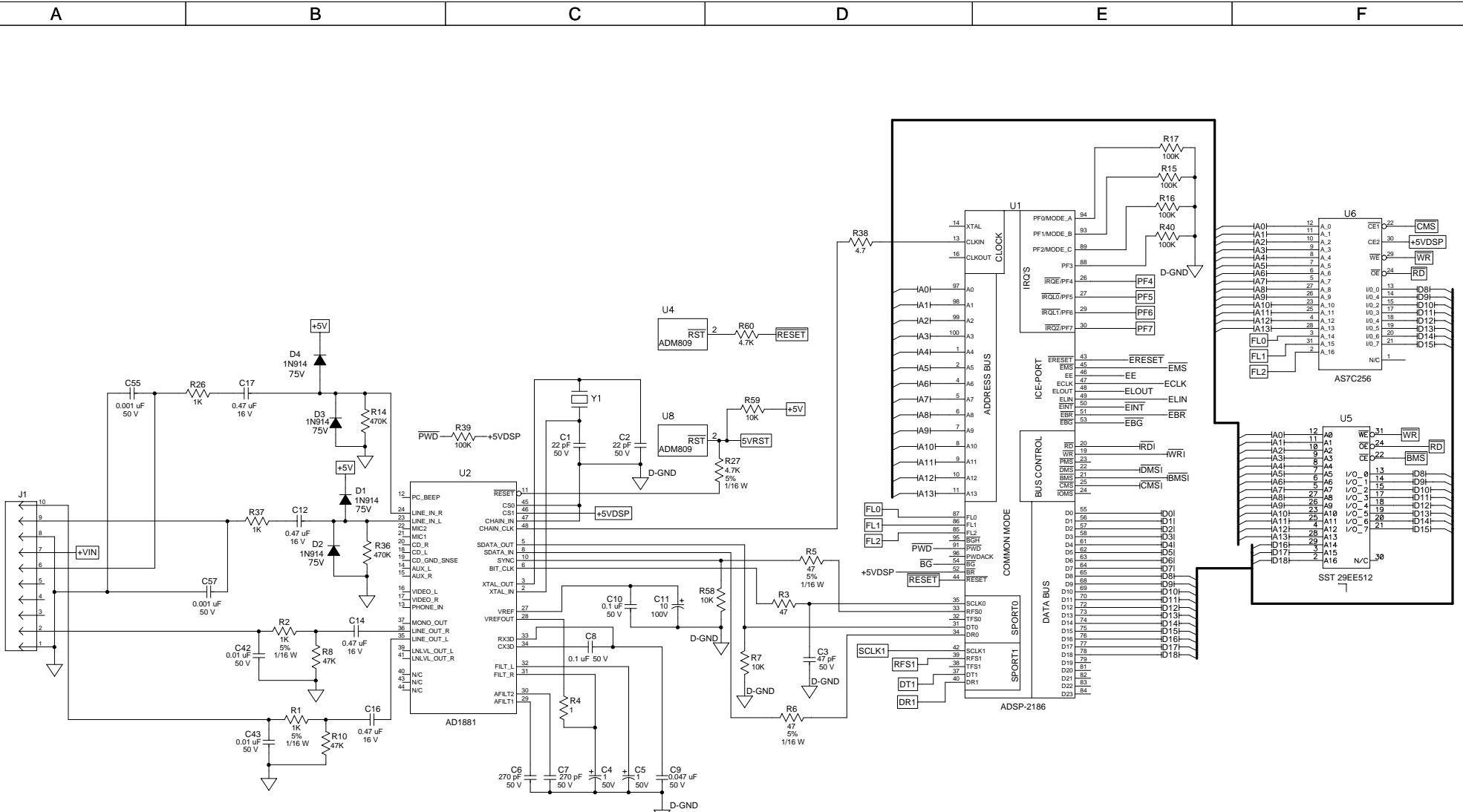


SHEET 9 AND 10 REPRESENT -12 AND -16

CAUTION:
THIS SCHEMATIC IS PROVIDED FOR USE BY QUALIFIED PERSONNEL.
TO AVOID RISK OF ELECTRIC SHOCK, REFER SERVICING TO QUALIFIED
SERVICE PERSONNEL. DO NOT PERFORM ANY SERVICING BEYOND
THAT EXPLAINED IN THE OPERATING INSTRUCTIONS.

- NOTES:
1) CAUTION: SHOCK HAZARD!!
THIS UNIT CONTAINS HAZARDOUS VOLTAGE. DISCONNECT POWER
AND BE SURE POWER SUPPLY IS DISCHARGED BEFORE
TOUCHING INTERNAL PARTS.
2) UNLESS NOTED, RESISTOR VALUES IN OHMS, 1/4W-5% TOL.
CAPACITOR VALUES IN MICROFARADS, 50V-10% TOL.
3) VOLTAGES ARE MEASURED WITH 1 MEGOHM OSCILLOSCOPE
AND 10 MEGOHM DIGITAL VOLTMETER.

REV	Date	DESCRIPTION	Ecr(s)/Ecn(s)	Chgd By	Appvd by	Date
3	5-3-02	ADDED DASH -18 & -19		N00819	RLB	
2	11-28-01	ADDED DASH -15, -16 & -17		N00746	RLB	
1	9-29-00	ADDED DASH -10, -12 & -14		D000746	RLB	
THE INFORMATION CONTAINED ON THIS DRAWING IS PROPRIETARY TO ST. LOUIS MUSIC, INC.						
Signatures:		Date:		 11880 Borman Drive, St. Louis, MO 63146		
Drawn: RLB		10-5-99				
Checked:						
Released:						
Plot Date: Mon May 06, 2002		Drawing Size: C		Drawing Title: PWA, DSP EFFECTS		
Plot Time: 08:09:27		Drawing Type: Schematic		Drawing Number: 07S886-XX		
Tolerance:		Class Code: NONE		Sheet 10 of 18		



SHEET 11 AND 12 REPRESENT - 14

CAUTION:
THIS SCHEMATIC IS PROVIDED FOR USE BY QUALIFIED PERSONNEL TO AVOID RISK OF ELECTRIC SHOCK. REFER SERVICING TO QUALIFIED SERVICE PERSONNEL. DO NOT PERFORM ANY SERVICING BEYOND THAT EXPLAINED IN THE OPERATING INSTRUCTIONS.

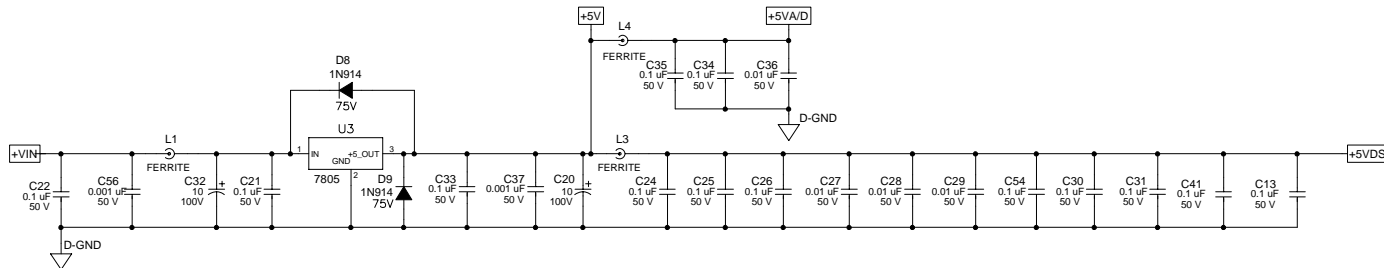
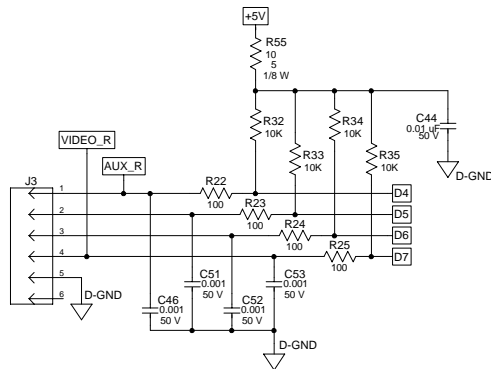
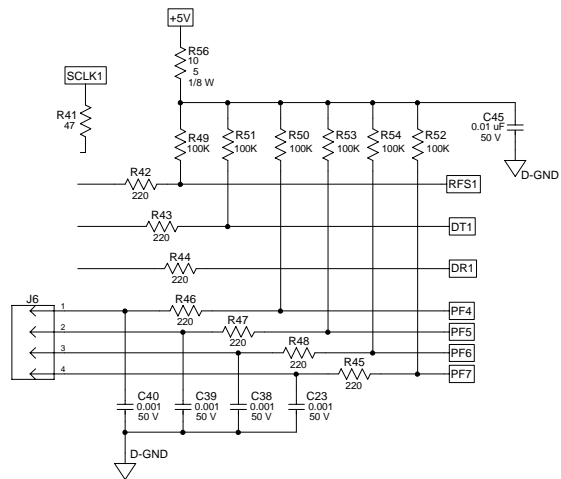
NOTES:
1) CAUTION: SHOCK HAZARD!! THIS UNIT CONTAINS HAZARDOUS VOLTAGE. DISCONNECT POWER AND BE SURE POWER SUPPLY IS DISCHARGED BEFORE TOUCHING INTERNAL PARTS.
2) UNLESS NOTED, RESISTOR VALUES IN OHMS, 1/4W-5% TOL. CAPACITOR VALUES IN MICROFARADS, 50V-10% TOL.
3) VOLTAGES ARE MEASURED WITH 1 MEGOHM OSCILLOSCOPE AND 10 MEGOHM DIGITAL VOLTMETER.

Ref Des	Device (Type)	Package	+5VA/D	5VVRST	+5VDSP	+5V	D-GND
U1	37S18601_	TOFP100			98,67,59,36,18,15	92,80,71,66,60,41,28,17,12,3	
U2	37S08101_	ST-48	38,25	9,1			42,26,7,4
U4	37S18103_	SOT-23		3			
U5	3700101_	32PLCC			32,1		16
U6	37S87201_	SQJ32,3			32		16
U8	37S18103_	SOT-23				3	1

REV	Date	DESCRIPTION	Ecr(s)/Ecn(s)	Chgd By	Appvd by	Date
3	5-3-02	ADDED DASH -18 & -19				N00819
2	11-28-01	ADDED DASH -15, -16 & -17				N00746
1	9-29-00	ADDED DASH -10, -12 & -14				D000717

THE INFORMATION CONTAINED ON THIS DRAWING IS PROPRIETARY TO
ST. LOUIS MUSIC, INC

Signatures:		Date:	
Drawn: RLB	10-5-99	11880 Borman Drive, St. Louis, MO 63146	
Checked:		First Used On:	
Released:		Drawing Title: DSP EFFECTS BD	
Tolerance:	Drawing Size: C	Drawing Number: 07S886-XX	
	Drawing Type: Schematic		
	Class Code: NONE		
	Sheet 11 of 18		



SHEET 11 AND 12 REPRESENT -14

CAUTION:


THIS SCHEMATIC IS PROVIDED FOR USE BY QUALIFIED PERSONNEL. TO AVOID RISK OF ELECTRIC SHOCK, REFER SERVICING TO QUALIFIED SERVICE PERSONNEL. DO NOT PERFORM ANY SERVICING BEYOND THAT EXPLAINED IN THE OPERATING INSTRUCTIONS.

NOTES:

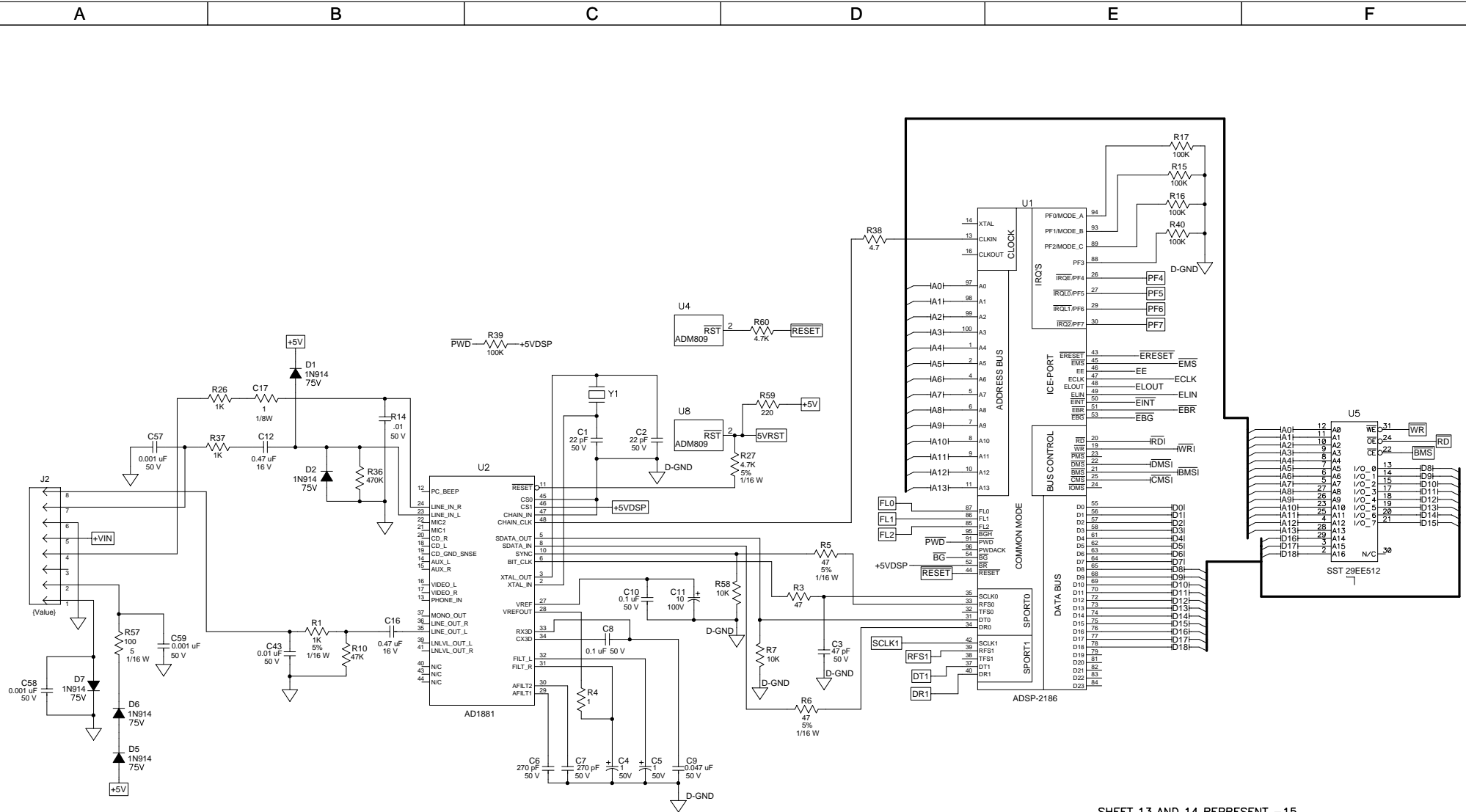
- 1) CAUTION: SHOCK HAZARD!! THIS UNIT CONTAINS HAZARDOUS VOLTAGE. DISCONNECT POWER AND BE SURE POWER SUPPLY IS DISCHARGED BEFORE TOUCHING INTERNAL PARTS.
- 2) UNLESS NOTED, RESISTOR VALUES IN OHMS, 1/4W-5% TOL. CAPACITOR VALUES IN MICROFARADS, 50V-10% TOL.
- 3) VOLTAGES ARE MEASURED WITH 1 MEGOHM OSCILLOSCOPE AND 10 MEGOHM DIGITAL VOLTMETER.

REV	Date	DESCRIPTION	Ecr(s)/Ecn(s)	Chgd By	Appvd by	Date
3	5-3-02	ADDED DASH -18 & -19	N00819			
2	11-28-01	ADDED DASH -15, -16 & -17	N00746			
1	9-29-00	ADDED DASH -10, -12 & -14	D000717			

THE INFORMATION CONTAINED ON THIS DRAWING IS PROPRIETARY TO ST. LOUIS MUSIC, INC.

Signatures:		Date:	 11880 Borman Drive, St. Louis, MO 63146
Drawn:	RLB	10-5-99	
Checked:			First Used On:
Released:			

Tolerance:	Drawing Size: C	Drawing Title: DSP EFFECTS BD
	Drawing Type: Schematic	Drawing Number: 07S886-XX
	Class Code: NONE	
	Sheet 12 of 18	



SHEET 13 AND 14 REPRESENT -15

CAUTION:
THIS SCHEMATIC IS PROVIDED FOR USE BY QUALIFIED PERSONNEL. TO AVOID RISK OF ELECTRIC SHOCK, REFER SERVICING TO QUALIFIED SERVICE PERSONNEL. DO NOT PERFORM ANY SERVICING BEYOND THAT EXPLAINED IN THE OPERATING INSTRUCTIONS.

NOTES:
1) CAUTION: SHOCK HAZARD!! THIS UNIT CONTAINS HAZARDOUS VOLTAGE. DISCONNECT POWER AND BE SURE POWER SUPPLY IS DISCHARGED BEFORE TOUCHING INTERNAL PARTS.
2) UNLESS NOTED, RESISTOR VALUES IN OHMS, 1/4W-5% TOL. CAPACITOR VALUES IN MICROFARADS, 50V-10% TOL.
3) VOLTAGES ARE MEASURED WITH 1 MEGOHM OSCILLOSCOPE AND 10 MEGOHM DIGITAL VOLTMETER.

Power Table					
Ref Des	Device(Type)	Package	+5VA/D5VRST	+5VDSPP	D-GND
U1	37S18601_	TOFP100		98,67,59,36,18,15	92,80,71,66,60,41,28,17,12,3
U2	37S88101	ST-48	38,25	9,1	42,26,7,4
U4	37S18103	SOT-23			
U5	3700101	32PLCC		32,1	16
U8	37S18103	SOT-23			3 1

REV	Date	DESCRIPTION	Ecr(s)/Ecn(s)	Chgd By	Appvd by	Date
3	5-3-02	ADDED DASH -18 & -19			N00819	RLB
2	11-28-01	ADDED DASH -15, -16 & -17			N00746	RLB

THE INFORMATION CONTAINED ON THIS DRAWING IS PROPRIETARY TO ST. LOUIS MUSIC, INC.

Signatures: _____ **Date:** 10-5-99

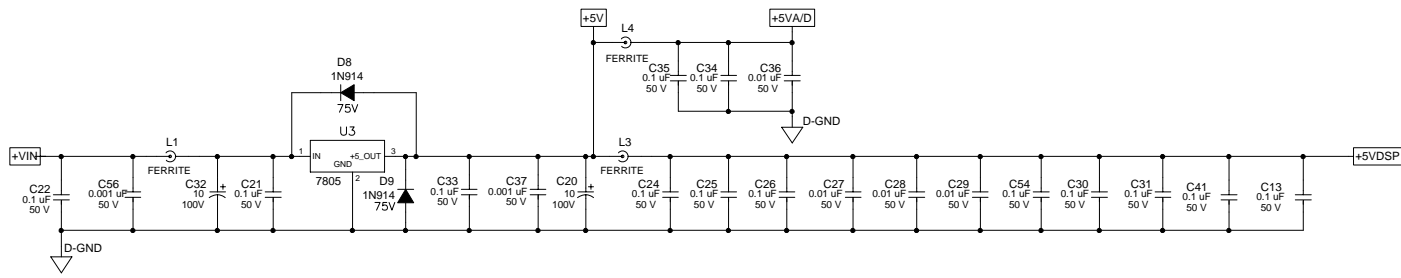
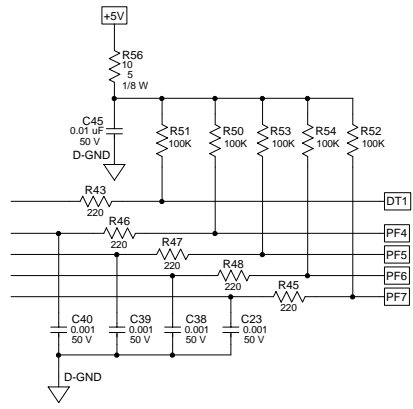
Drawn: RLB **Checked:** _____ **Released:** _____

DSP EFFECTS BD

Plot Date: Mon May 06, 2002 **Drawing Size:** C **Drawing Title:** DSP EFFECTS BD

Plot Time: 08:13:36 **Drawing Type:** Schematic **Drawing Number:** 07S886-XX

Tolerance: _____ **Class Code:** NONE **Sheet** 13 of 18

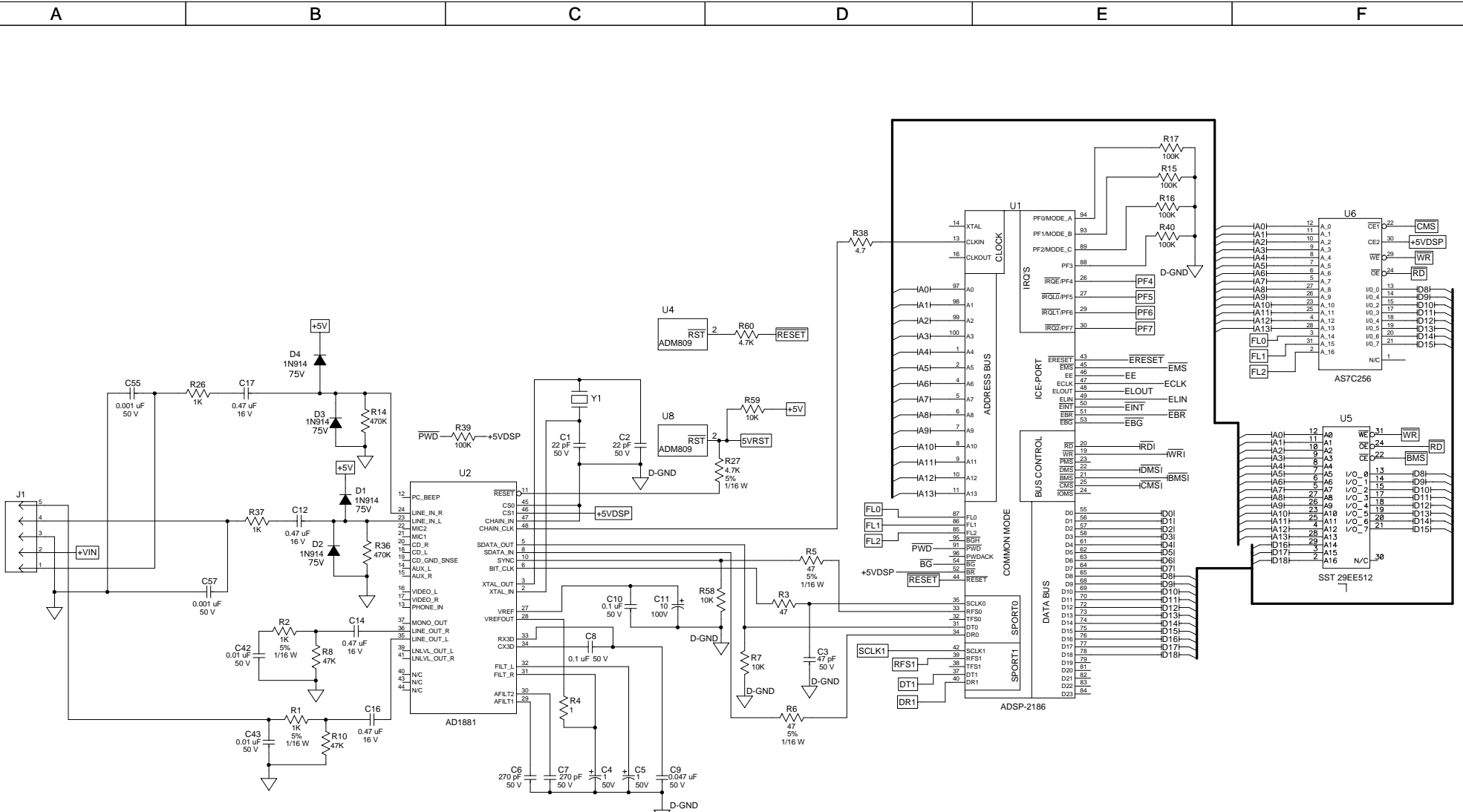


SHEET 13 AND 14 REPRESENT -15

CAUTION:
 THIS SCHEMATIC IS PROVIDED FOR USE BY QUALIFIED PERSONNEL TO AVOID RISK OF ELECTRIC SHOCK. REFER SERVICING TO QUALIFIED SERVICE PERSONNEL. DO NOT PERFORM ANY SERVICING BEYOND THAT EXPLAINED IN THE OPERATING INSTRUCTIONS.

- NOTES:**
- 1) CAUTION: SHOCK HAZARD!! THIS UNIT CONTAINS HAZARDOUS VOLTAGE. DISCONNECT POWER AND BE SURE POWER SUPPLY IS DISCHARGED BEFORE TOUCHING INTERNAL PARTS.
 - 2) UNLESS NOTED, RESISTOR VALUES IN OHMS, 1/4W-5% TOL. CAPACITOR VALUES IN MICROFARADS, 50V-10% TOL.
 - 3) VOLTAGES ARE MEASURED WITH 1 MEGOHM OSCILLOSCOPE AND 10 MEGOHM DIGITAL VOLTMETER.

3	5-3-02	ADDED DASH -18 & -19	N00819	RLB		
2	11-28-01	ADDED DASH -15, -16 & -17	N00746	RLB		
REV	Date	DESCRIPTION	Ecr(s)/Ecn(s)	Chgd By	Appvd by	Date
THE INFORMATION CONTAINED ON THIS DRAWING IS PROPRIETARY TO ST. LOUIS MUSIC, INC.						
Signatures:			Date:		 11880 Borman Drive, St. Louis, MO 63146	
Drawn: RLB			10-5-99			
Checked:						
Released:						
Plot Date: Mon May 06, 2002		Drawing Size: C		Drawing Title: DSP EFFECTS BD		
Plot Time: 08:13:37		Drawing Type: Schematic		Drawing Number: 07S886-XX		
Tolerance:		Class Code: NONE		Sheet 14 of 18		



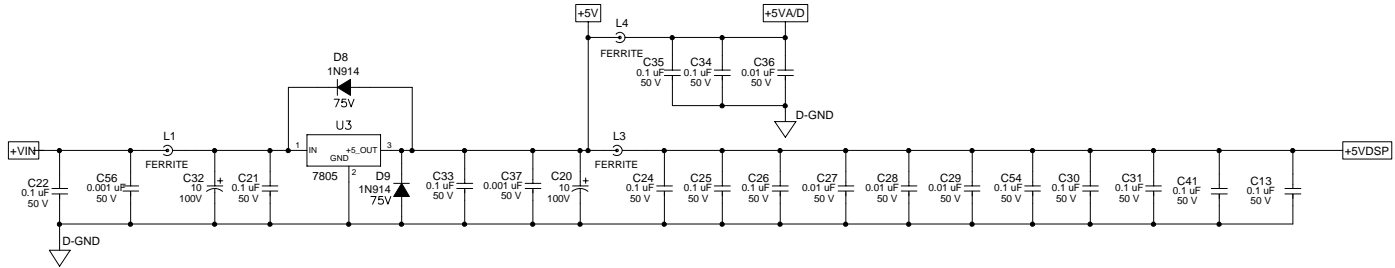
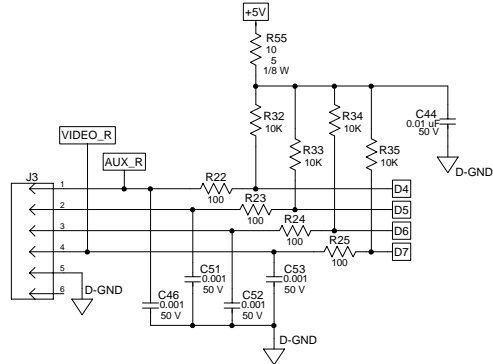
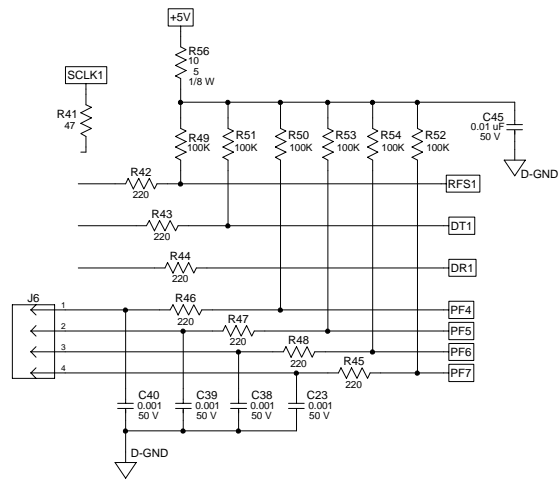
SHEET 15 AND 16 REPRESENT -17 AND -18

CAUTION:
THIS SCHEMATIC IS PROVIDED FOR USE BY QUALIFIED PERSONNEL. TO AVOID RISK OF ELECTRIC SHOCK, REFER SERVICING TO QUALIFIED SERVICE PERSONNEL. DO NOT PERFORM ANY SERVICING BEYOND THAT EXPLAINED IN THE OPERATING INSTRUCTIONS.

NOTES:
1) CAUTION: SHOCK HAZARD!! THIS UNIT CONTAINS HAZARDOUS VOLTAGE. DISCONNECT POWER AND BE SURE POWER SUPPLY IS DISCHARGED BEFORE TOUCHING INTERNAL PARTS.
2) UNLESS NOTED, RESISTOR VALUES IN OHMS, 1/4W-5% TOL. CAPACITOR VALUES IN MICROFARADS, 50V-10% TOL.
3) VOLTAGES ARE MEASURED WITH 1 MEGOHM OSCILLOSCOPE AND 10 MEGOHM DIGITAL VOLTMETER.

Ref Des	Device (Type)	Package	+5VA/D	5VVRST	+5VDSP	+5V	D-GND
U1	37S18601_	TOFP100			98,67,59,36,18,15	92,80,71,66,60,41,28,17,12,3	
U2	37S08101_	ST-48	38,25	9,1			42,26,7,4
U4	37S18103_	SOT-23		3			1
U5	3700101_	32PLCC	32PLCC		32,1		16
U6	37S87201_	SQJ32.3			32		16
U8	37S18103_	SOT-23				3	1

3	5-3-02	ADDED DASH -18 & -19	N00819			
2	11-28-01	ADDED DASH -15, -16 & -17	N00746			
REV	Date	DESCRIPTION	Ecr(s)/Ecn(s)	Chgd By	Appvd by	Date
THE INFORMATION CONTAINED ON THIS DRAWING IS PROPRIETARY TO ST. LOUIS MUSIC, INC						
Signatures:			Date:		 11880 Borman Drive, St. Louis, MO 63146	
Drawn: RLB			10-5-99			
Checked:			Released:		First Used On:	
Tolerance:			Drawing Size: C		Drawing Title: DSP EFFECTS BD	
			Drawing Type: Schematic		Drawing Number: 07S886-XX	
			Class Code: NONE			
			Sheet 15 of 18			

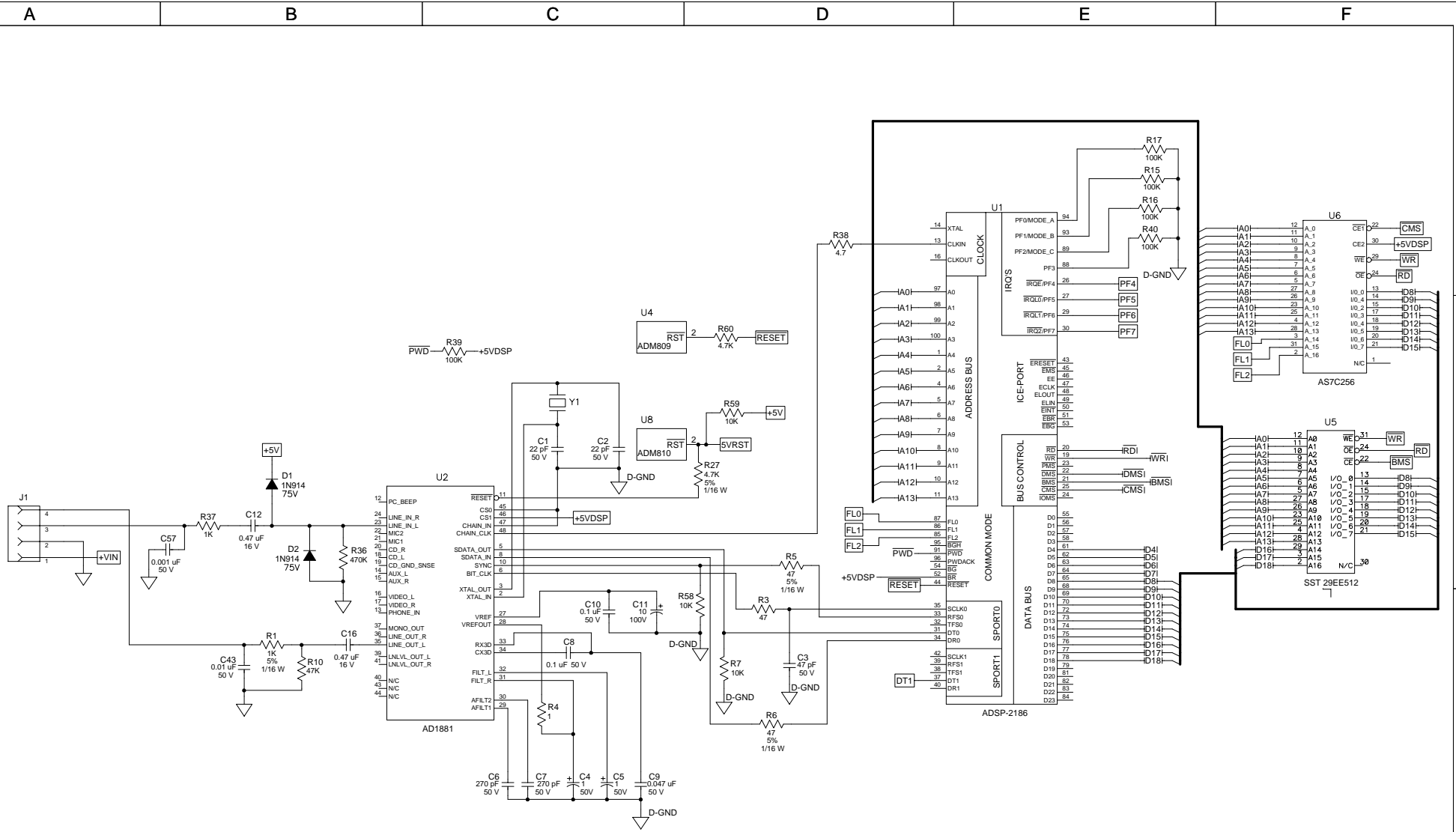


SHEET 15 AND 16 REPRESENT -17 AND -18

CAUTION:
THIS SCHEMATIC IS PROVIDED FOR USE BY QUALIFIED PERSONNEL TO AVOID RISK OF ELECTRIC SHOCK, REFER SERVICING TO QUALIFIED SERVICE PERSONNEL. DO NOT PERFORM ANY SERVICING BEYOND THAT EXPLAINED IN THE OPERATING INSTRUCTIONS.

- NOTES:**
- 1) CAUTION: SHOCK HAZARD!! THIS UNIT CONTAINS HAZARDOUS VOLTAGE. DISCONNECT POWER AND BE SURE POWER SUPPLY IS DISCHARGED BEFORE TOUCHING INTERNAL PARTS.
 - 2) UNLESS NOTED, RESISTOR VALUES IN OHMS, 1/4W-5% TOL. CAPACITOR VALUES IN MICROFARADS, 50V-10% TOL.
 - 3) VOLTAGES ARE MEASURED WITH 1 MEGOHM OSCILLOSCOPE AND 10 MEGOHM DIGITAL VOLTMETER.

3	5-3-02	ADDED DASH -18 & -19	N00819			
2	11-28-01	ADDED DASH -15, -16 & -17	N00746			
REV	Date	DESCRIPTION	Ecr(s)/Ecn(s)	Chgd By	Appvd by	Date
THE INFORMATION CONTAINED ON THIS DRAWING IS PROPRIETARY TO ST. LOUIS MUSIC, INC.						
Signatures:			Date:		 11880 Borman Drive, St. Louis, MO 63146 First Used On:	
Drawn: RLB		10-5-99				
Checked:						
Released:						
Tolerance:		Drawing Size: C		Drawing Title: DSP EFFECTS BD		
		Drawing Type: Schematic		Drawing Number: 07S886-XX		
		Class Code: NONE		Sheet 16 of 18		



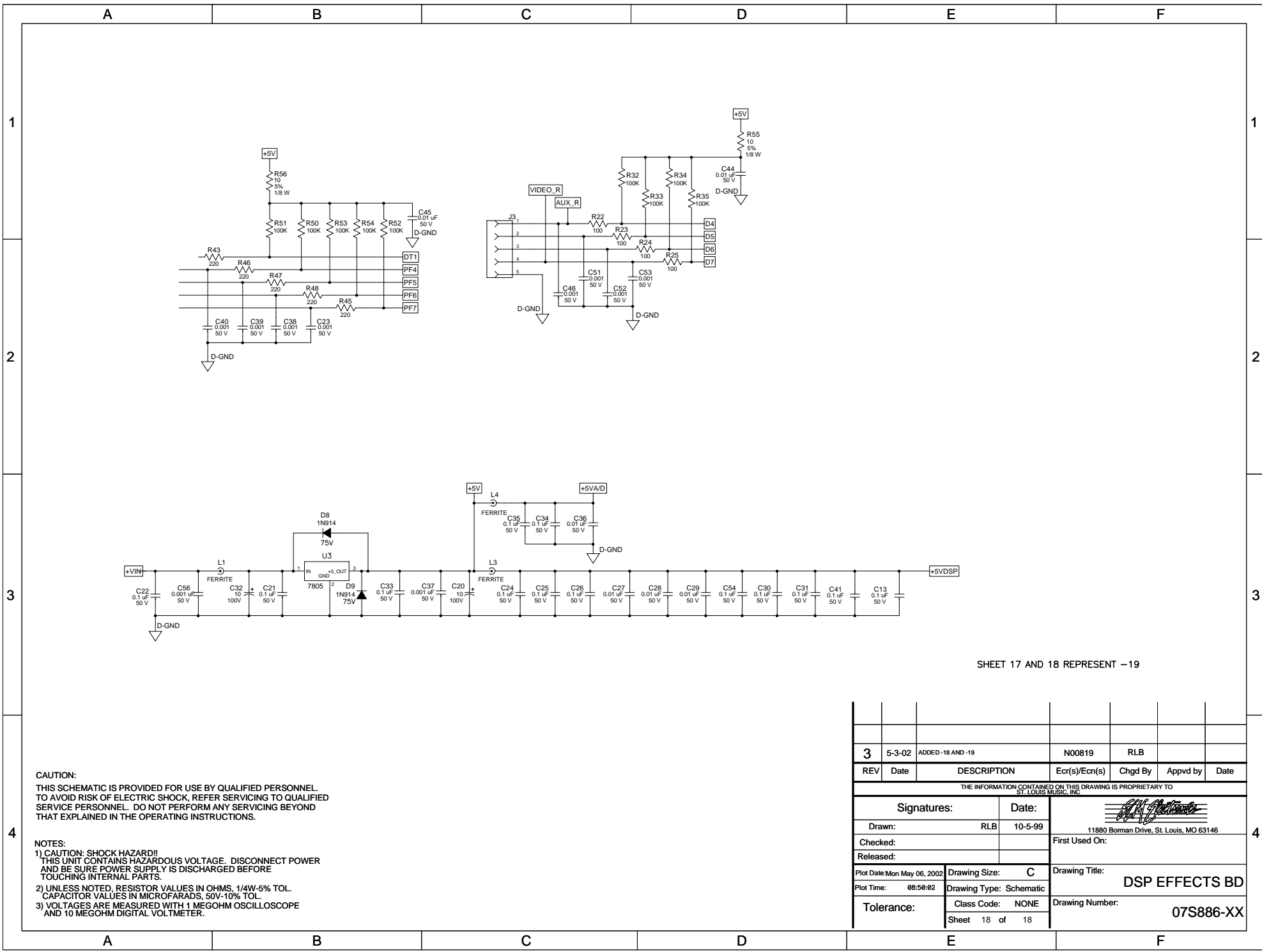
SHEET 17 AND 18 REPRESENT - 19

CAUTION:
 THIS SCHEMATIC IS PROVIDED FOR USE BY QUALIFIED PERSONNEL TO AVOID RISK OF ELECTRIC SHOCK. REFER SERVICING TO QUALIFIED SERVICE PERSONNEL. DO NOT PERFORM ANY SERVICING BEYOND THAT EXPLAINED IN THE OPERATING INSTRUCTIONS.

NOTES:
 1) CAUTION: SHOCK HAZARD!! THIS UNIT CONTAINS HAZARDOUS VOLTAGE. DISCONNECT POWER AND BE SURE POWER SUPPLY IS DISCHARGED BEFORE TOUCHING INTERNAL PARTS.
 2) UNLESS NOTED, RESISTOR VALUES IN OHMS, 1/4W-5% TOL. CAPACITOR VALUES IN MICROFARADS, 50V-10% TOL.
 3) VOLTAGES ARE MEASURED WITH 1 MEGOHM OSCILLOSCOPE AND 10 MEGOHM DIGITAL VOLTMETER.

Power Table							
Ref Des	Device(Type)	Package	+5VA/D	+5VRSST	+5VDSPP	+5V	D-GND
U1	37S18601_	TOFP100			98,67,59,36,18,15		92,88,71,66,60,41,28,17,12,3
U2	37S08101_	ST-48	38,25	9,1			42,26,7,4
U4	37S18103_	SOT-23		3			1
U5	3700101_	32PLCC	32PLCC		32,1		16
U6	37S87201_	SQJ32,3			32		16
U8	37S18102_	SOT-23				3	1

3	5-3-02	ADDED -18 AND -19	N00819	RLB		
REV	Date	DESCRIPTION	Ecr(s)/Ecn(s)	Chgd By	Appvd by	Date
THE INFORMATION CONTAINED ON THIS DRAWING IS PROPRIETARY TO ST. LOUIS MUSIC, INC						
Signatures:			Date:		 11880 Borman Drive, St. Louis, MO 63146	
Drawn: RLB			10-5-99			
Checked:			Released:		First Used On:	
Plot Date: Mon May 06, 2002			Drawing Size: C		Drawing Title: DSP EFFECTS BD	
Plot Time: 08:50:01			Drawing Type: Schematic		Drawing Number: 07S886-XX	
Tolerance:			Class Code: NONE		Sheet 17 of 18	



SHEET 17 AND 18 REPRESENT -19

CAUTION:
 THIS SCHEMATIC IS PROVIDED FOR USE BY QUALIFIED PERSONNEL. TO AVOID RISK OF ELECTRIC SHOCK, REFER SERVICING TO QUALIFIED SERVICE PERSONNEL. DO NOT PERFORM ANY SERVICING BEYOND THAT EXPLAINED IN THE OPERATING INSTRUCTIONS.

NOTES:
 1) CAUTION: SHOCK HAZARD!! THIS UNIT CONTAINS HAZARDOUS VOLTAGE. DISCONNECT POWER AND BE SURE POWER SUPPLY IS DISCHARGED BEFORE TOUCHING INTERNAL PARTS.
 2) UNLESS NOTED, RESISTOR VALUES IN OHMS, 1/4W-5% TOL. CAPACITOR VALUES IN MICROFARADS, 50V-10% TOL.
 3) VOLTAGES ARE MEASURED WITH 1 MEGOHM OSCILLOSCOPE AND 10 MEGOHM DIGITAL VOLTMETER.

3	5-3-02	ADDED -18 AND -19	N00819	RLB		
REV	Date	DESCRIPTION	Ecr(s)/Ecrn(s)	Chgd By	Appvd by	Date
THE INFORMATION CONTAINED ON THIS DRAWING IS PROPRIETARY TO ST. LOUIS MUSIC, INC.						
Signatures:			Date:		 11880 Boman Drive, St. Louis, MO 63146	
Drawn: RLB			10-5-99			
Checked:			First Used On:			
Released:						
Plot Date: Mon May 06, 2002		Drawing Size: C		Drawing Title: DSP EFFECTS BD		
Plot Time: 08:50:02		Drawing Type: Schematic		Drawing Number: 07S886-XX		
Tolerance:		Class Code: NONE		Sheet 18 of 18		

PWB1