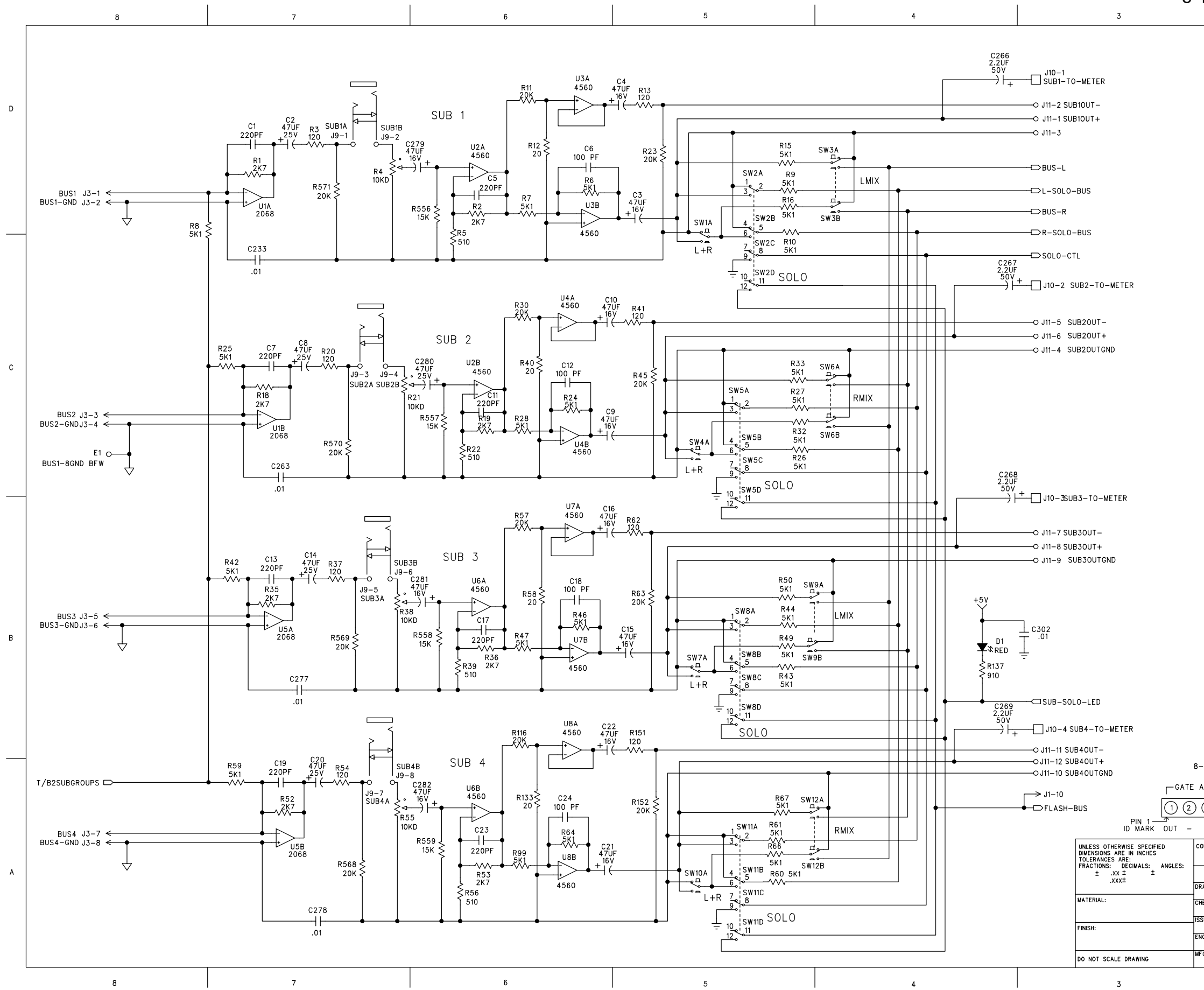


DWG. NO. 990-010-00 SHT 1 REV: U

REVISIONS			
REV:	ECO:	DESCRIPTION	REV BY: APP BY: DATE
C		INCORP ECO 52	trh JC 9-28-93
D	58	ADDED R611, D21	trh JC 10-13-93
E	66	ARTWORK REVISED FOR SOLDERABILITY	trh JC 11-02-93
F	69	DELETED RESISTORS ADDED WITH ECO 52	trh 11-16-93
G	109	U57 WAS NJM2043, REVISED NJM2068.	trh 12-28-93
H		SPREAD APART LYTICS	trh 1-19-94
J	145 158	PHASE 1 ; DIODE HOLES WERE .032	trh JGG 4-17-94
K		INCORP ECO'S:189,193,307,545,568,588.	KR 9-12-95
L		INCORP ECO'S:427,631,727,852.	KR ES 2-16-96
S	987 993	AUTO INSERT LED'S SOLDER BRIDGE REDUCTION	KR 11-15-96
T	921 926 1223 1284 1294 1387 1406 1410 1411 1454	LARGE CORE SWITCHES LARGE CORE BUTTONS AUTO INSERT LED'S TO .038 HOLE SIZE AUTO INSERT 25C3792'S REMOVE MADE IN U.S.A. NOTE SNAP IN SWITCHES NO STEP SHAFT 50KG DUAL SOLDER BRIDGE REDUCTION SCORE PANEL & ADD MATERIAL 8-PIN SIP 4560'S	KR 1-6-98
U	1490	INCORPORATE ECO'S: 987,993,921,926,1223, 1284,1294,1387,1406,1410,1411,1454.	KR 2-3-98

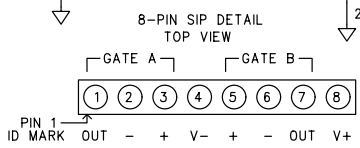
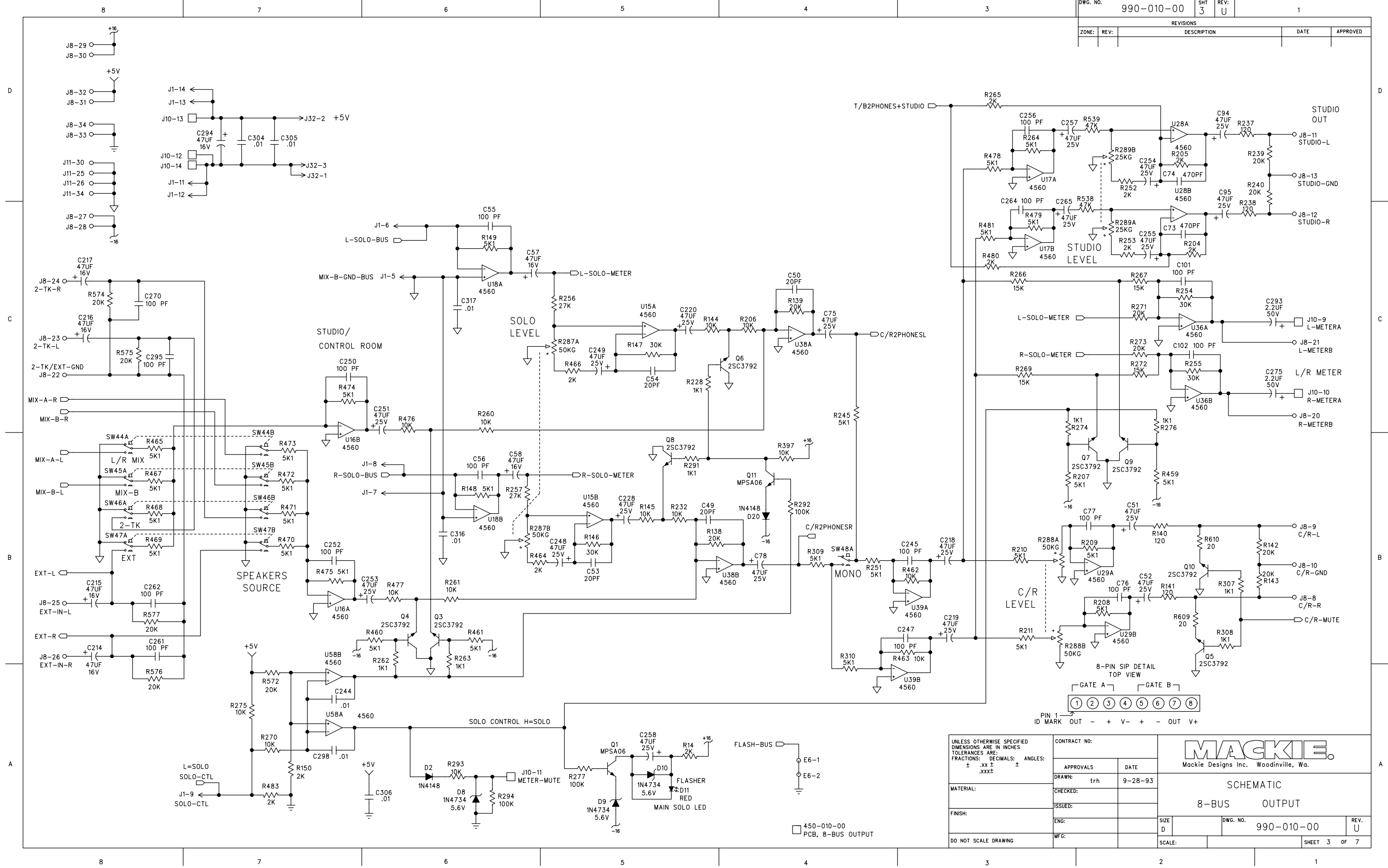


8-PIN SIP DETAIL
TOP VIEW

PIN 1 ID MARK OUT - + V- + - OUT V+

UNLESS OTHERWISE SPECIFIED DIMENSIONS ARE IN INCHES TOLERANCES ARE: FRACTIONS: DECIMALS: ANGLES: ±.xx ± .xxx±		CONTRACT NO:		 Mackie Designs Inc. Woodinville, Wa.	
MATERIAL:		APPROVALS:	DATE:		
FINISH:		CHECKED: CR	7-9-93		
DO NOT SCALE DRAWING		ISSUED: CR	7-9-93		
		ENG:		SIZE: D	DWG. NO. 990-010-00
		MFG:		SCALE:	SHEET 1 OF 7

REVISIONS		DATE	APPROVED
REV:	DESCRIPTION		



UNLESS OTHERWISE SPECIFIED DIMENSIONS ARE IN INCHES TOLERANCES ARE: FRACTIONS: DECIMALS: ANGLES: ±.xx ±.xxx±

CONTRACT NO:	
APPROVALS	DATE
DRAWN: trh	9-28-93
CHECKED:	
ISSUED:	
ENG:	
MFG:	
DO NOT SCALE DRAWING	

MACKIE Mackie Designs Inc. Woodinville, Wa.	
SCHEMATIC	
8-BUS OUTPUT	
SIZE D	DWG. NO. 990-010-00
SCALE:	REV. U
SHEET 3 OF 7	