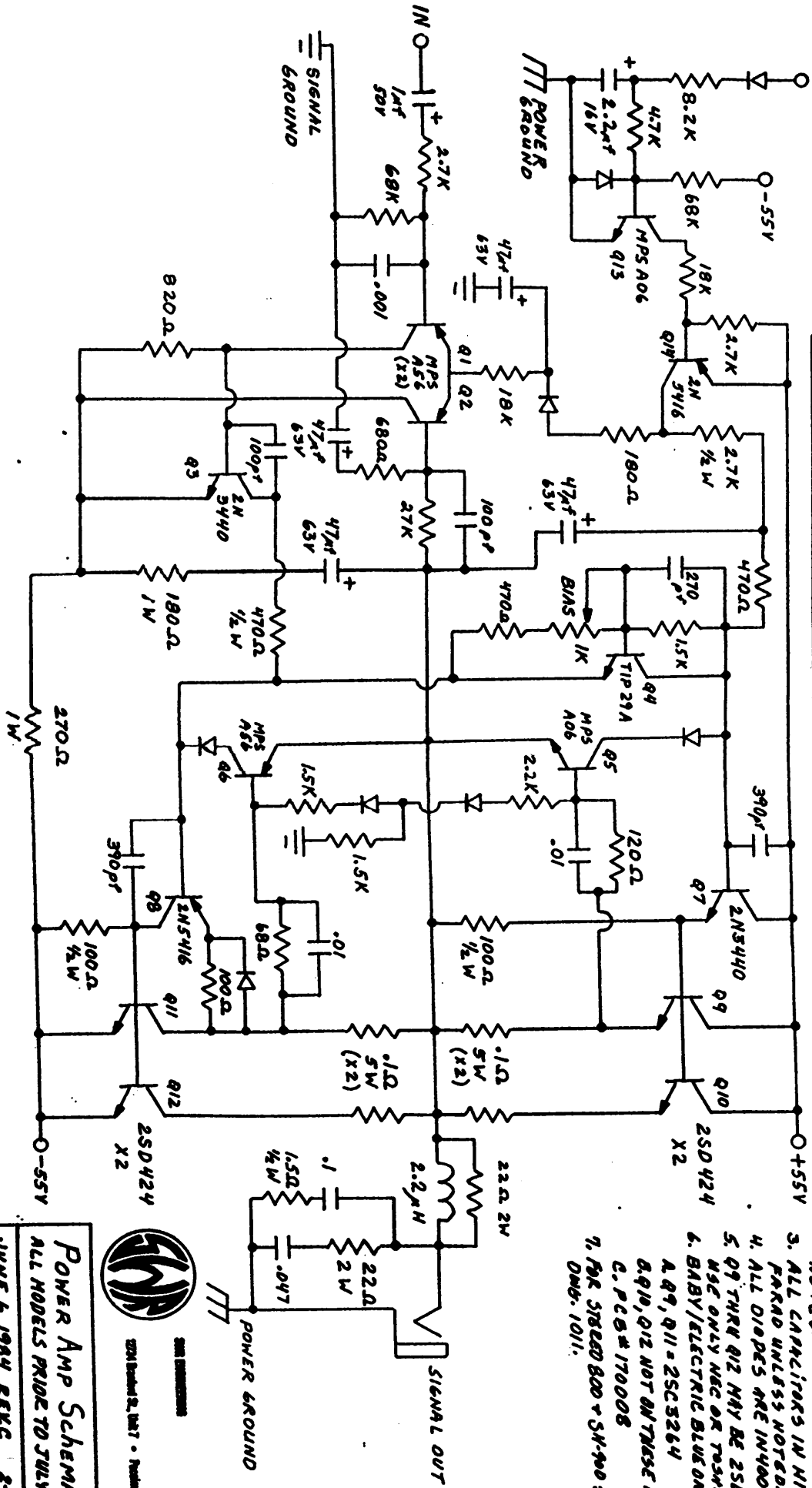


AC TERMINAL
BRIDGE REC.

NOTE: FOR FOLLOWING MODELS AND SERIAL #5, USE DRAWING #1011
 STUDIO 220 - S/N 2539 AND GREATER,
 5M-400 - S/N 5105 " " "
 REDHEADS - S/N 2403 " " "



- Notes:**
1. D.C. VOLTAGES FOR REDHEAD ARE 100.6 HIGHER.
 2. ALL RESISTORS 1/4 WATT UNLESS NOTED.
 3. ALL CAPACITORS IN MICRO-FARAD UNLESS NOTED.
 4. ALL DIODES ARE IN4004.
 5. Q9 THRU Q12 MAY BE 2SD555. USE ONLY NEG OR POSITIVE; NEG ONLY NEG OR POSITIVE; NEG ONLY:
 6. BABY/ELECTRIC BLUE ONLY:
 A. Q9, Q11 = 2SC5264
 B. Q10, Q12 NOT ON THESE MODELS
 C. PCB # 170008
 7. FOR STREED 800 + 34-900 SEE DWG. 1011.



2201 Broadway, Dept 7 - Philadelphia, PA 19103

Power Amp Schematic
 ALL MODELS PRIOR TO JULY, 1992
 JUNE 6, 1984 REKC 8-5-91.
 DESIGNED + DRAWN - S.M. RABE
 PCB # 170002A NO. 1005