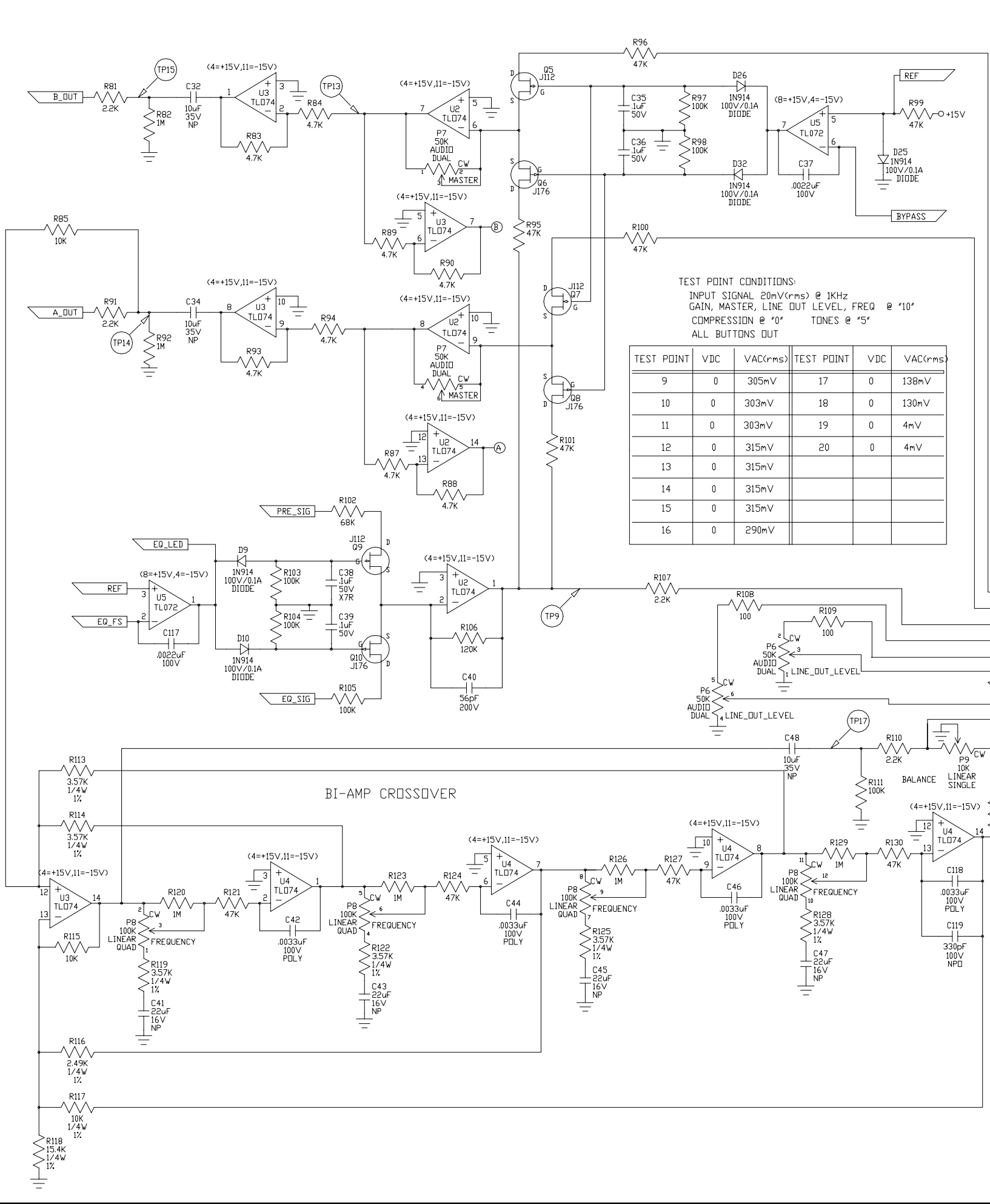


TEST POINT CONDITIONS:  
 INPUT SIGNAL 20mV(rms) @ 1KHz  
 GAIN, MASTER, LINE OUT LEVEL, FREQ @ '10'  
 COMPRESSION @ '0' TONES @ '5'

TEST POINT	VDC	VAC(rms)
1	0	20mV
2	0	500mV
3	0	866mV
4	0	1.27V
5	95mV	45.5mV
6	0	162mV
7	19.2V	12mV
8	-19.2V	12mV

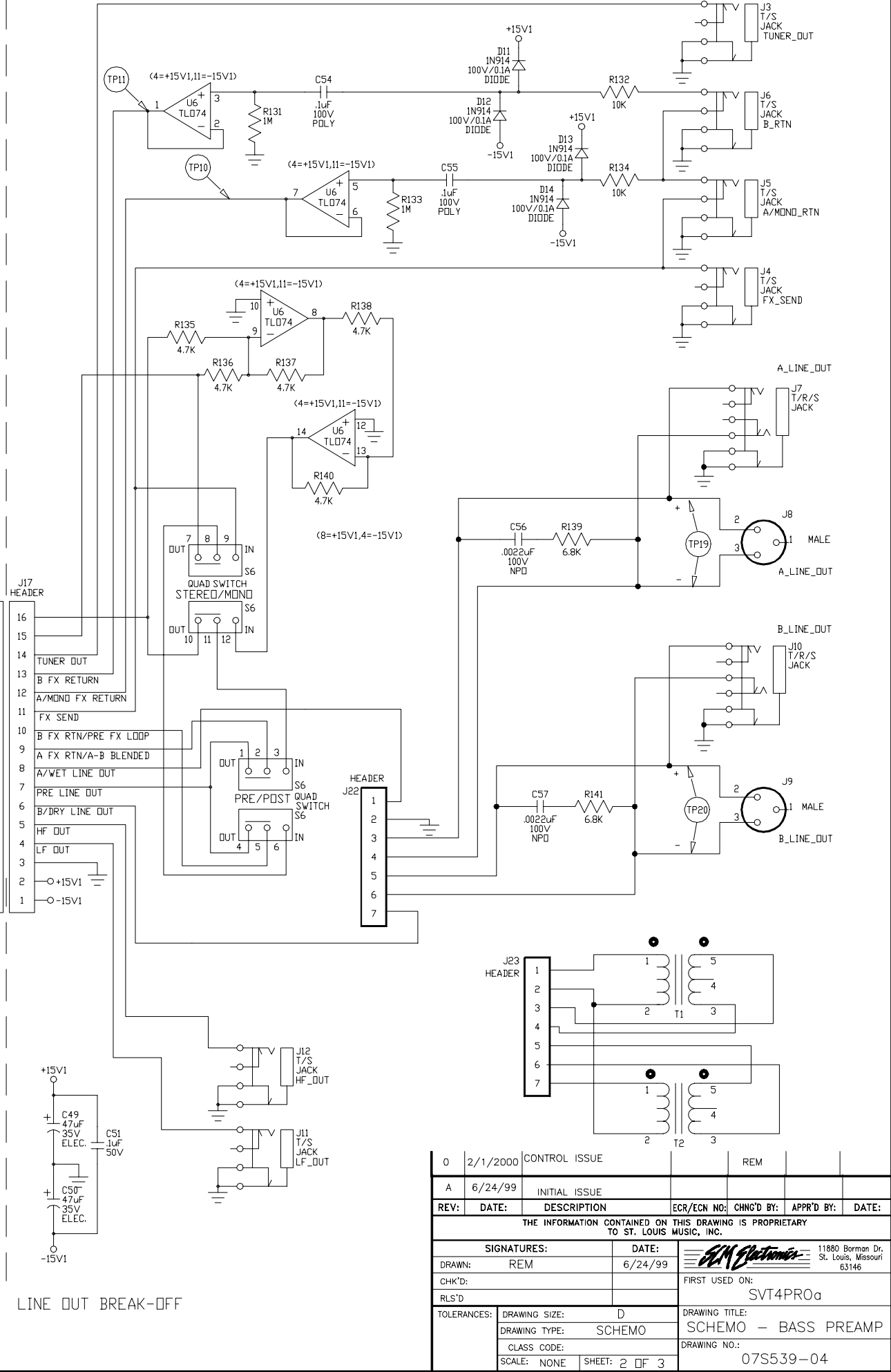
V1	V2	V3
97B127-01	95F127-01	95F127-01
12AX7	12AX7	12AX7

0	2/1/2000	CONTROL ISSUE	REM
A	6/24/99	INITIAL ISSUE	
REV:	DATE:	DESCRIPTION	ECR/ECN NO: CHNG'D BY: APPR'D BY: DATE:
THE INFORMATION CONTAINED ON THIS DRAWING IS PROPRIETARY TO ST. LOUIS MUSIC, INC.			
SIGNATURES:		DATE:	11880 Borman Dr. St. Louis, Missouri 63146
DRAWN:	REM	6/24/99	
CHK'D:		FIRST USED ON:	
RLS'D:			SVT4PROa
TOLERANCES:	DRAWING SIZE: D	DRAWING TITLE:	SCHEMO - BASS PREAMP
	DRAWING TYPE: SCHEMO	DRAWING NO.:	
	CLASS CODE:		
	SCALE: NONE	SHEET: 1 of 3	07S539-04

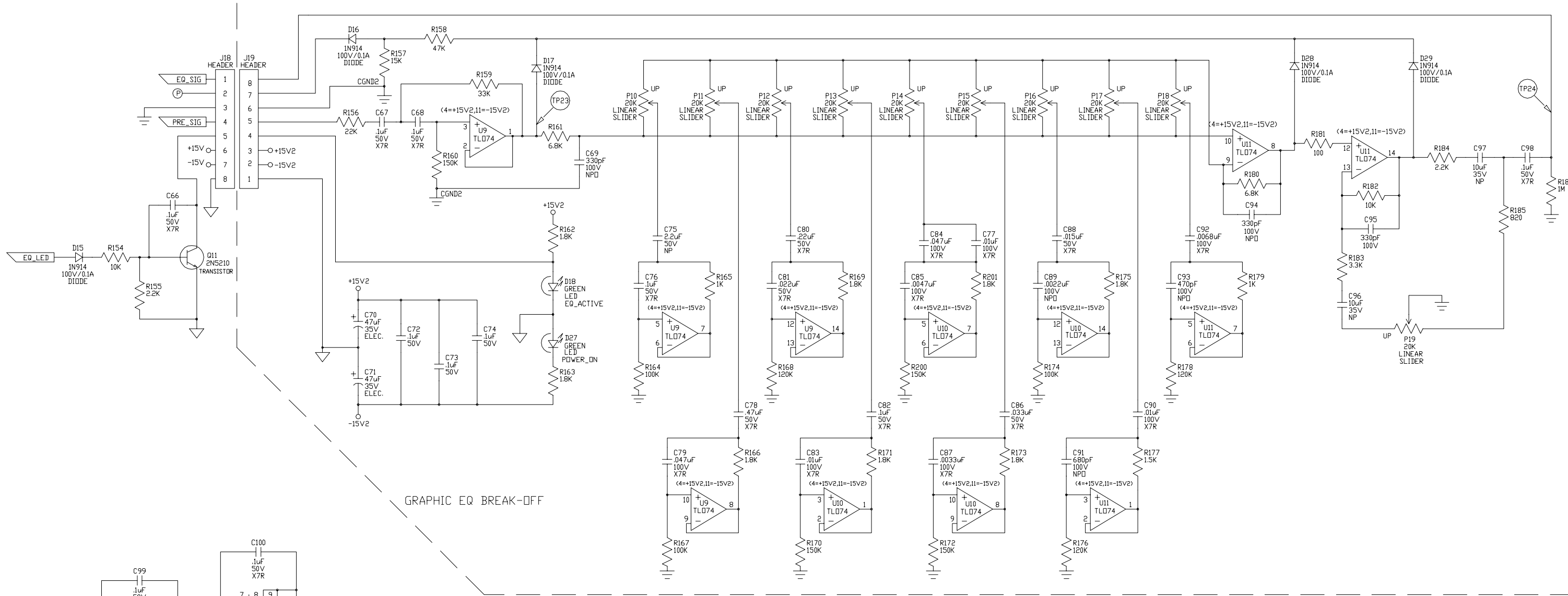


TEST POINT CONDITIONS:  
 INPUT SIGNAL 20mV(rms) @ 1KHz  
 GAIN, MASTER, LINE OUT LEVEL, FREQ @ '10'  
 COMPRESSION @ '0' TONES @ '5'  
 ALL BUTTONS OUT

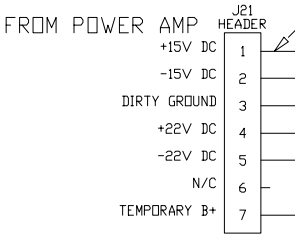
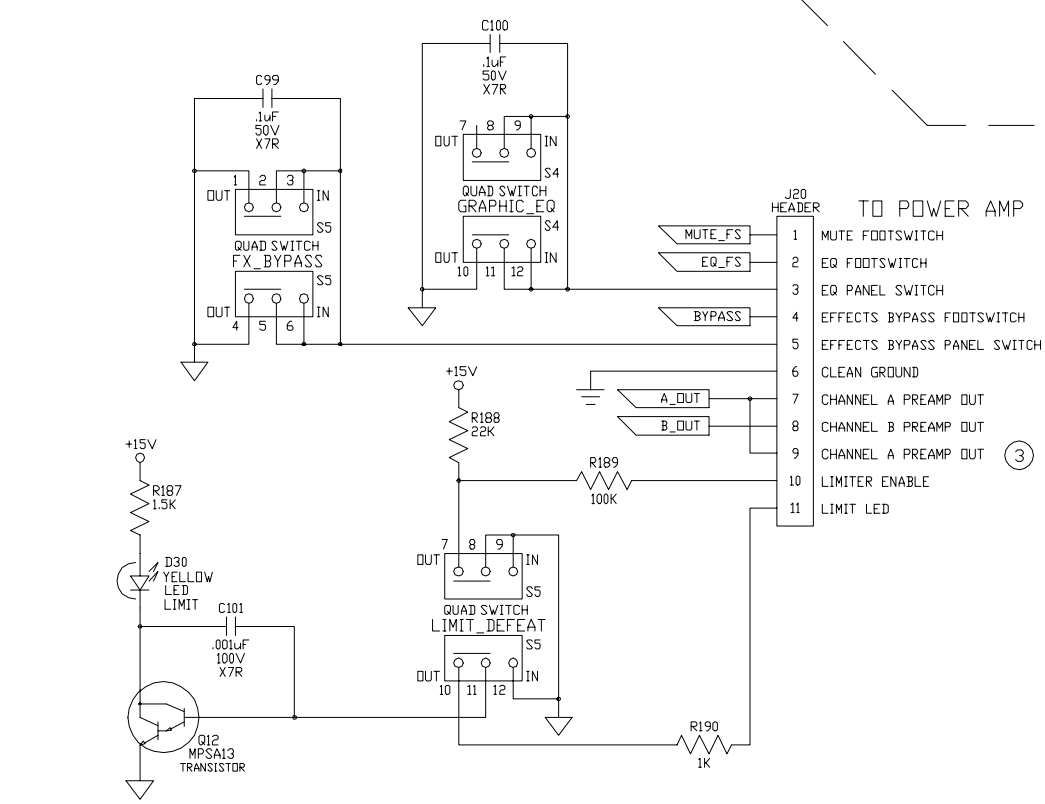
TEST POINT	VDC	VAC(rms)	TEST POINT	VDC	VAC(rms)
9	0	305mV	17	0	138mV
10	0	303mV	18	0	130mV
11	0	303mV	19	0	4mV
12	0	315mV	20	0	4mV
13	0	315mV			
14	0	315mV			
15	0	315mV			
16	0	290mV			



0	2/1/2000	CONTROL ISSUE		REM	
A	6/24/99	INITIAL ISSUE			
REV:	DATE:	DESCRIPTION	ECR/ECN NO:	CHNG'D BY:	APPR'D BY: DATE:
THE INFORMATION CONTAINED ON THIS DRAWING IS PROPRIETARY TO ST. LOUIS MUSIC, INC.					
SIGNATURES:		DATE:		11880 Borman Dr. St. Louis, Missouri 63146	
DRAWN:	REM	6/24/99		<i>St. Louis Music</i>	
CHK'D:				FIRST USED ON:	
RLS'D:				SVT4PR0a	
TOLERANCES:	DRAWING SIZE: D	DRAWING TITLE: SCHEMO - BASS PREAMP		DRAWING NO.:	
	DRAWING TYPE: SCHEMO			07S539-04	
	CLASS CODE:			SCALE: NONE SHEET: 2 OF 3	



GRAPHIC EQ BREAK-OFF

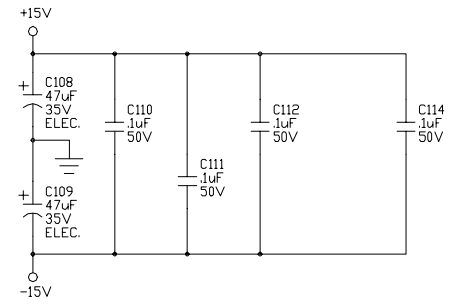


FROM POWER AMP

TO POWER AMP

TEST POINT CONDITIONS:  
 INPUT SIGNAL 20mV(rms) @ 1KHz  
 GAIN, MASTER, LINE OUT LEVEL, FREQ @ '10'  
 COMPRESSION @ '0' TONES @ '5'  
 ALL BUTTONS OUT

TEST POINT	VDC	VAC(rms)
23	0	143mV
24	0	207mV
25	15V	1mV
26	-15V	1mV
27	24.5V	375mV
28	-24.5V	350mV
29	278V	----



0	2/1/2000	CONTROL ISSUE	REM		
A	6/24/99	INITIAL ISSUE			
REV:	DATE:	DESCRIPTION	ECR/ECN NO:	CHNG'D BY:	APPR'D BY:
THE INFORMATION CONTAINED ON THIS DRAWING IS PROPRIETARY TO ST. LOUIS MUSIC, INC.					
SIGNATURES:		DATE:		11880 Borman Dr. St. Louis, Missouri 63146	
DRAWN:	REM	6/24/99		SVT4PROa	
CHK'D:				FIRST USED ON:	
RLS'D:				SVT4PROa	
TOLERANCES:	DRAWING SIZE:	D		DRAWING TITLE:	
	DRAWING TYPE:	SCHEMO		SCHEMO - BASS PREAMP	
	CLASS CODE:			DRAWING NO.:	
	SCALE:	NONE		07S539-04	
	SHEET:	3 OF 3			