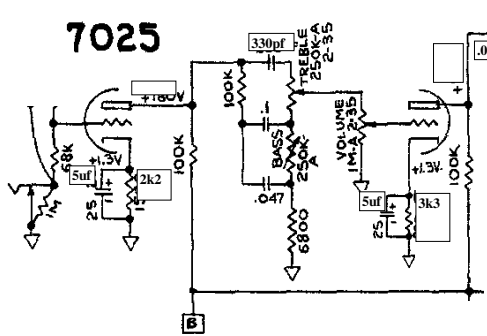


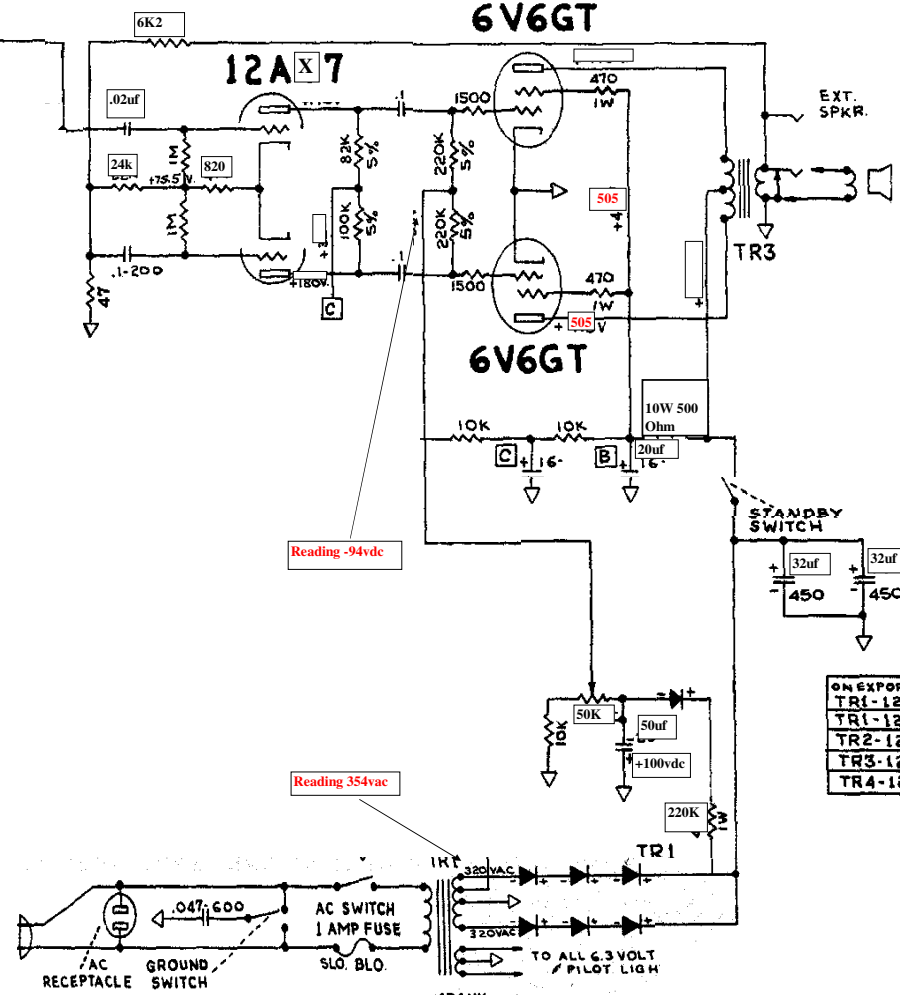
NORMAL

7025



DESIGN 1

220K  
1/2

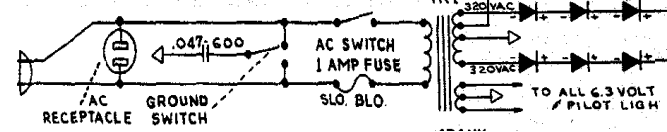


2 - ALL RESISTORS 1/2 WATT 10% TOLERANCE IF N  
3 - ALL CAPACITORS AT LEAST 400 VOLT RATING IF N

Reading -94vdc

Reading 354vac

ON EXPORT MODEL
TR1-125P33A
TR1-125P23B
TR2-125C3A
TR3-125A1A
TR4-125A20B



HEATERS AND  
HT