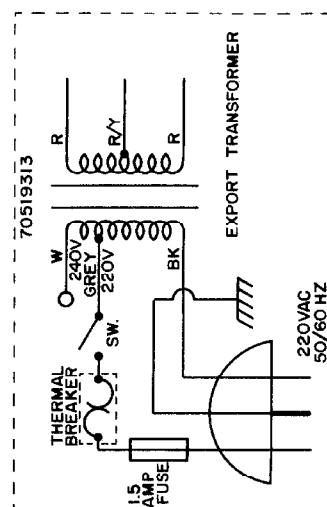
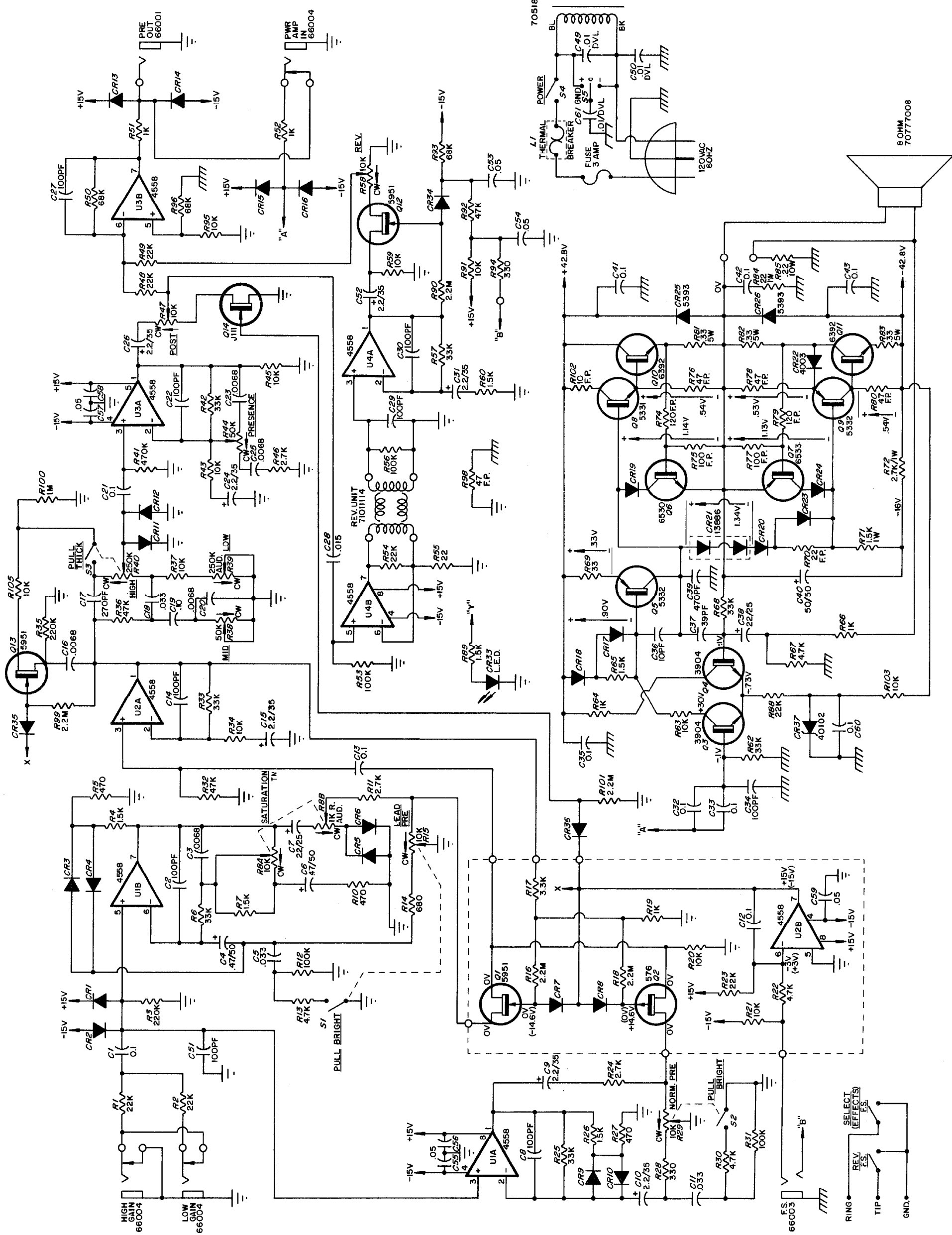


BANDIT 65

BD.# 99002138
(12/16/81)
(2/1/82)

NOTES
ALL POTS ARE LINEAR UNLESS NOTED
ALL RESISTORS 1/4W UNLESS NOTED
ALL RESISTORS IN OHMS UNLESS NOTED
ALL CAPACITORS IN MFD UNLESS NOTED
ALL DIODES IN 4148 UNLESS NOTED
LAST REF. DESIGNATOR USED:
R105 C61 CR37 Q14 S5 U4
VOLTAGES IN () ARE WITH FOOTSWITCH CLOSED
VOLTAGES MAY VARY FROM UNIT TO UNIT
BUILT UNDER U.S. PATENT NO. 4,405,832



REVISED 2/21/83 RLL
REVISED 2/3/82 RLL
PEAVEY ELECTRONICS CORP.
MERIDIAN, MS.
DRAWN BY RLL DATE 10-21-80
C.B. CHECK RLL
APPR. BY RLL

P/N 81501010

COPYRIGHT 1980 PEAVEY ELECTRONICS CORP. PRINTED IN U.S.A.

