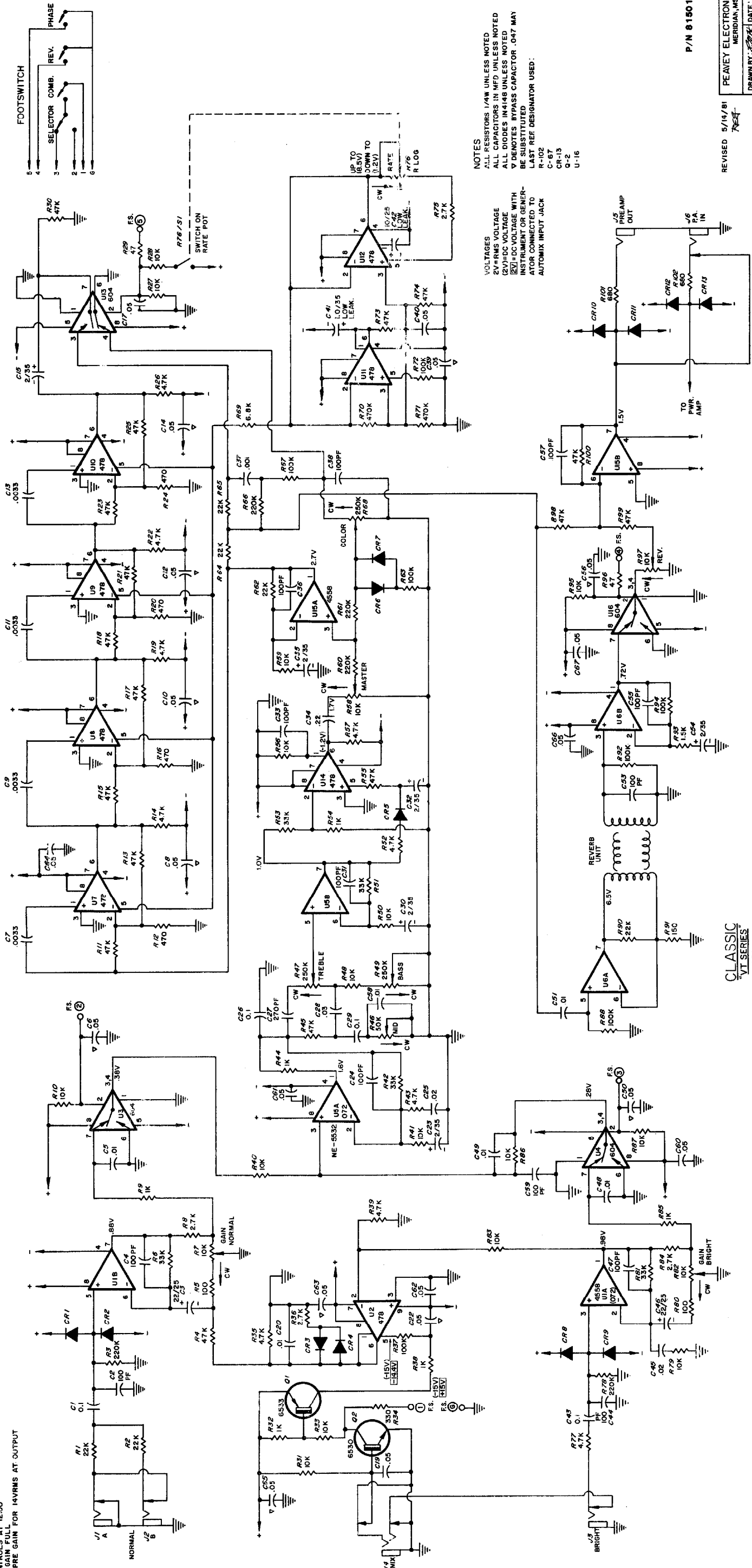


TEST CONDITIONS:
 INPUT SIGNAL - 10V RMS @ 1KHz
 TONE CONTROLS AT 12:00
 MASTER GAIN FULL
 ADJUST PRE GAIN FOR 14V RMS AT OUTPUT



NOTES
 ALL RESISTORS 1/4W UNLESS NOTED
 ALL CAPACITORS IN MFD UNLESS NOTED
 ALL DIODES IN 4148 UNLESS NOTED
 V DENOTES BYPASS CAPACITOR .047 MAY BE SUBSTITUTED
 LAST REF DESIGNATOR USED:
 R-102
 C-67
 CR-13
 Q-2
 U-16

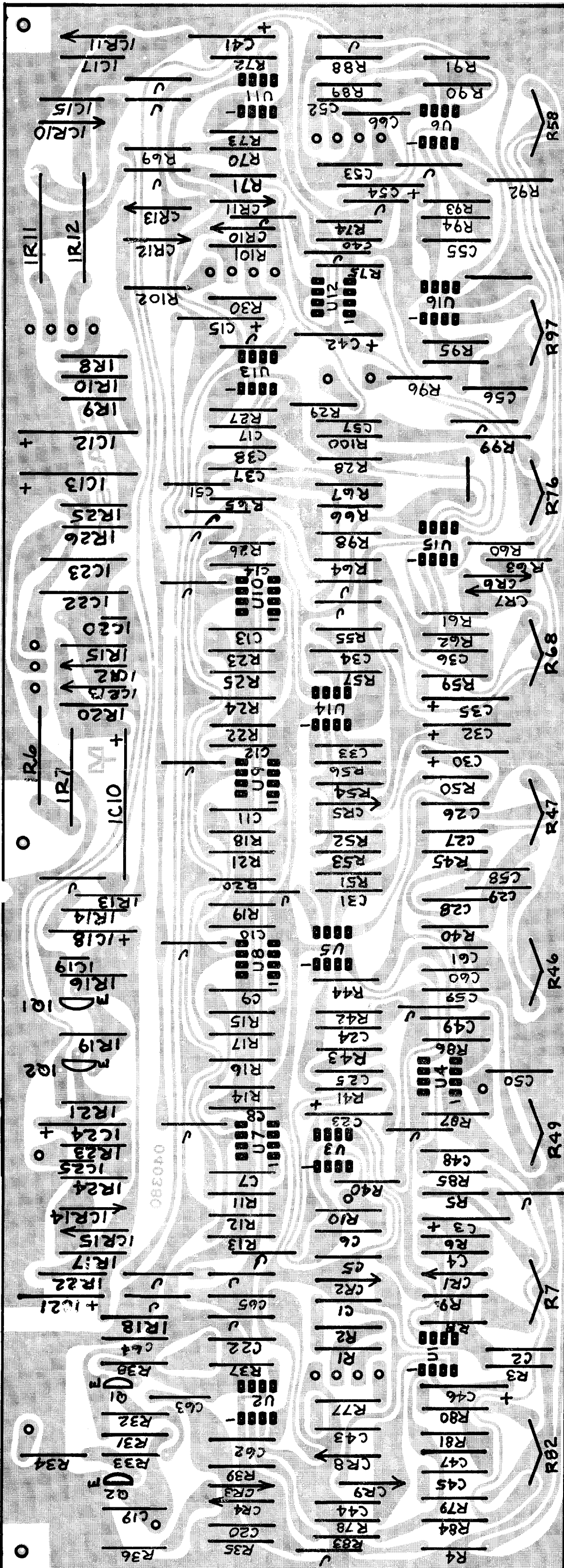
VOLTAGES
 2V=RMS VOLTAGE
 (2V)=DC VOLTAGE
 (2V)=DC VOLTAGE WITH INSTRUMENT OR GENERATOR CONNECTED TO AUTOMIX INPUT JACK

CLASSIC
 VT SERIES
 PREAMP
 BD.# 95001615

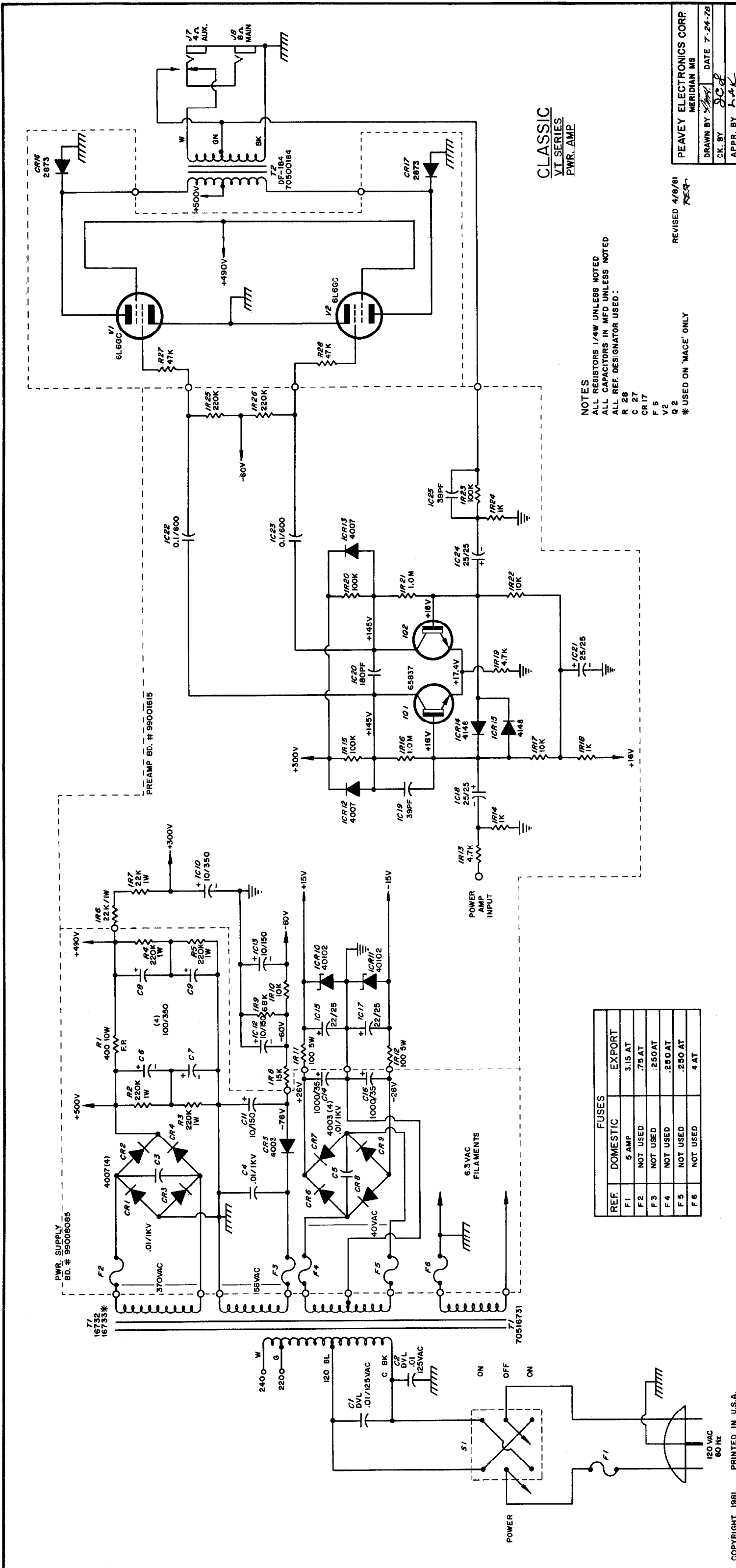
P/N 81501097

REVISED 5/14/81

PEAVEY ELECTRONICS CORP.
 MERIDIAN, MS.
 DRAWN BY: [Signature]
 CK. BY: [Signature]
 DATE: 3-15-78
 APPR BY: L. A. K. 4-18-78



CLASSIC "78"



NOTES
 ALL RESISTORS 1/4W UNLESS NOTED
 ALL CAPACITORS IN MFD UNLESS NOTED
 ALL REF. DESIGNATOR USED:
 R 28
 C 27
 CR 17
 F 8
 V 2
 Q 2
 * USED ON 'MACE' ONLY

REF.	DOMESTIC	EXPORT
F1	5 AMP	3.15 AT
F2	NOT USED	.75 AT
F3	NOT USED	.250 AT
F4	NOT USED	.250 AT
F5	NOT USED	.250 AT
F6	NOT USED	4 AT

CLASSIC
 VT SERIES
 PWR AMP

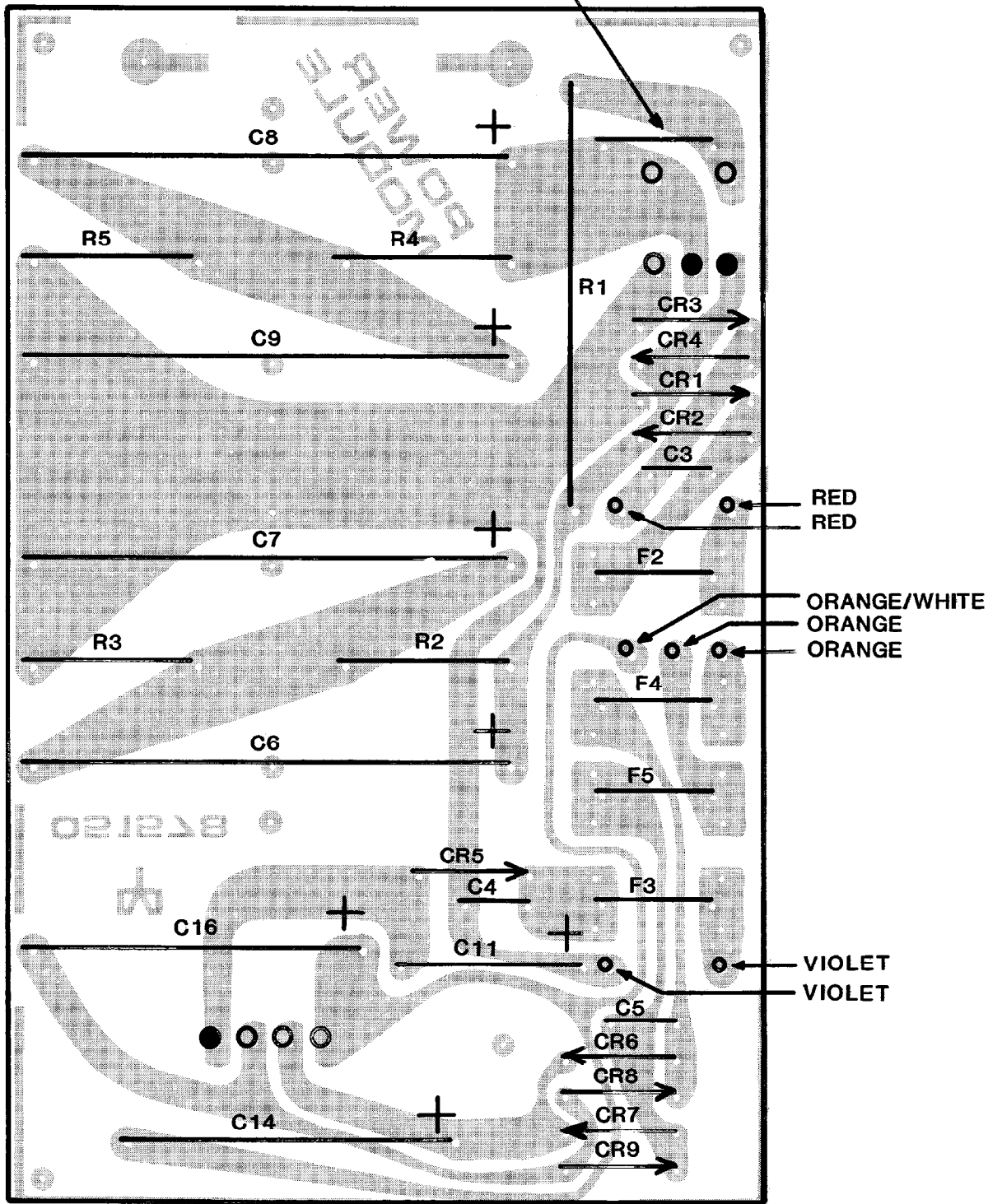
REVISED 4/8/81

PEAVEY ELECTRONICS CORP.
 MERIDIAN MS

DRAWN BY JCB
 DATE 7-24-78
 APPR. BY LAL

DEUCE/MACE/CLASSIC/ARTIST POWER SUPPLY BOARD

JUMPER USED ONLY IN "CLASSIC" MODEL



- MALE MOLEX PIN
- FEMALE MOLEX PIN