

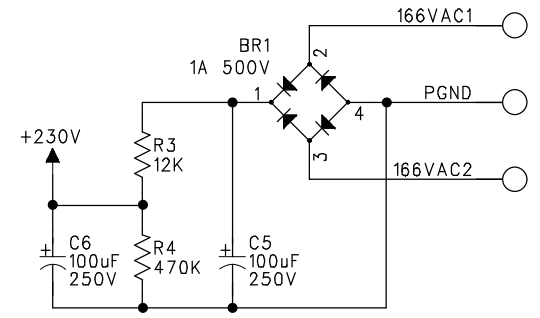
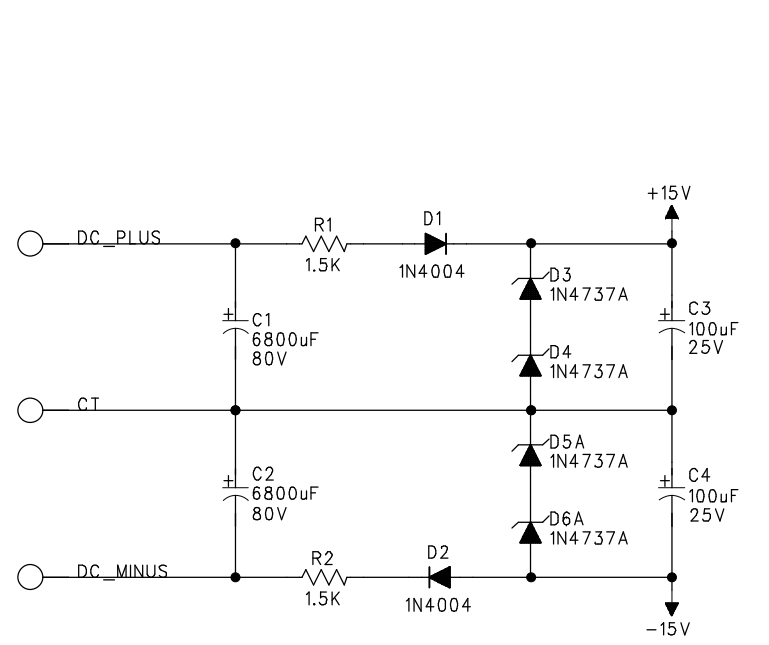
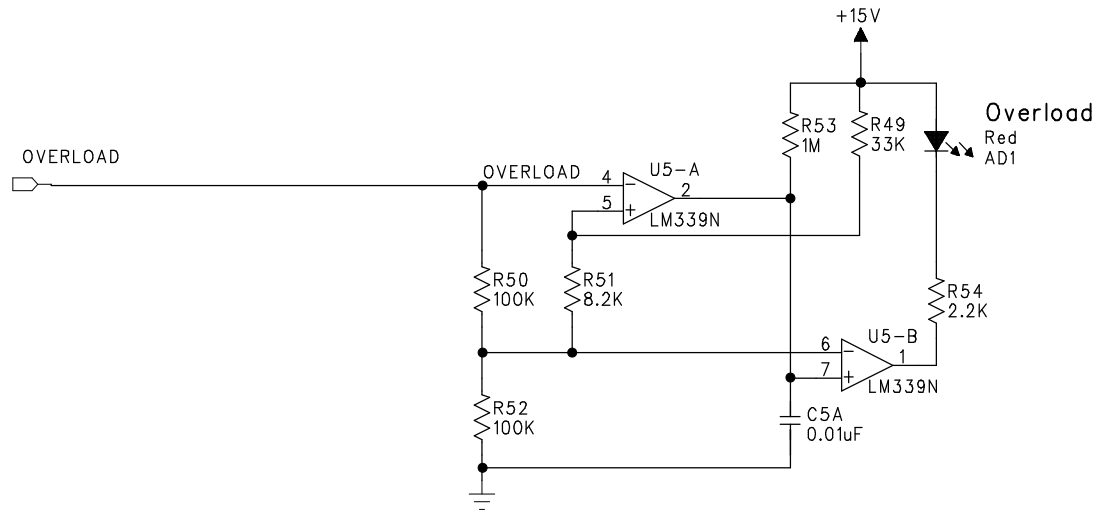
Please note:  
 1.> Unless otherwise noted, all resistors are 1/4 Watt, 5%.  
 2.> An "A" reference designator prefix denotes a location other than on the PCB.

ASW2-B  
 4 5  
 6

<b>SWR Sound Corporation</b>	
Title:	Bass 350/Silverado Preamp PCB
Rev:	B
Date:	02 August 2001
Last update:	Sheet: 1 of 2

6 5 4 3 2 1

D C B A



SWR Sound Corporation	
Title:	Bass 350/Silverado Preamp PCB
Date:	31 July 2001
Last update:	Sheet: 2 of 2
Rev:	B