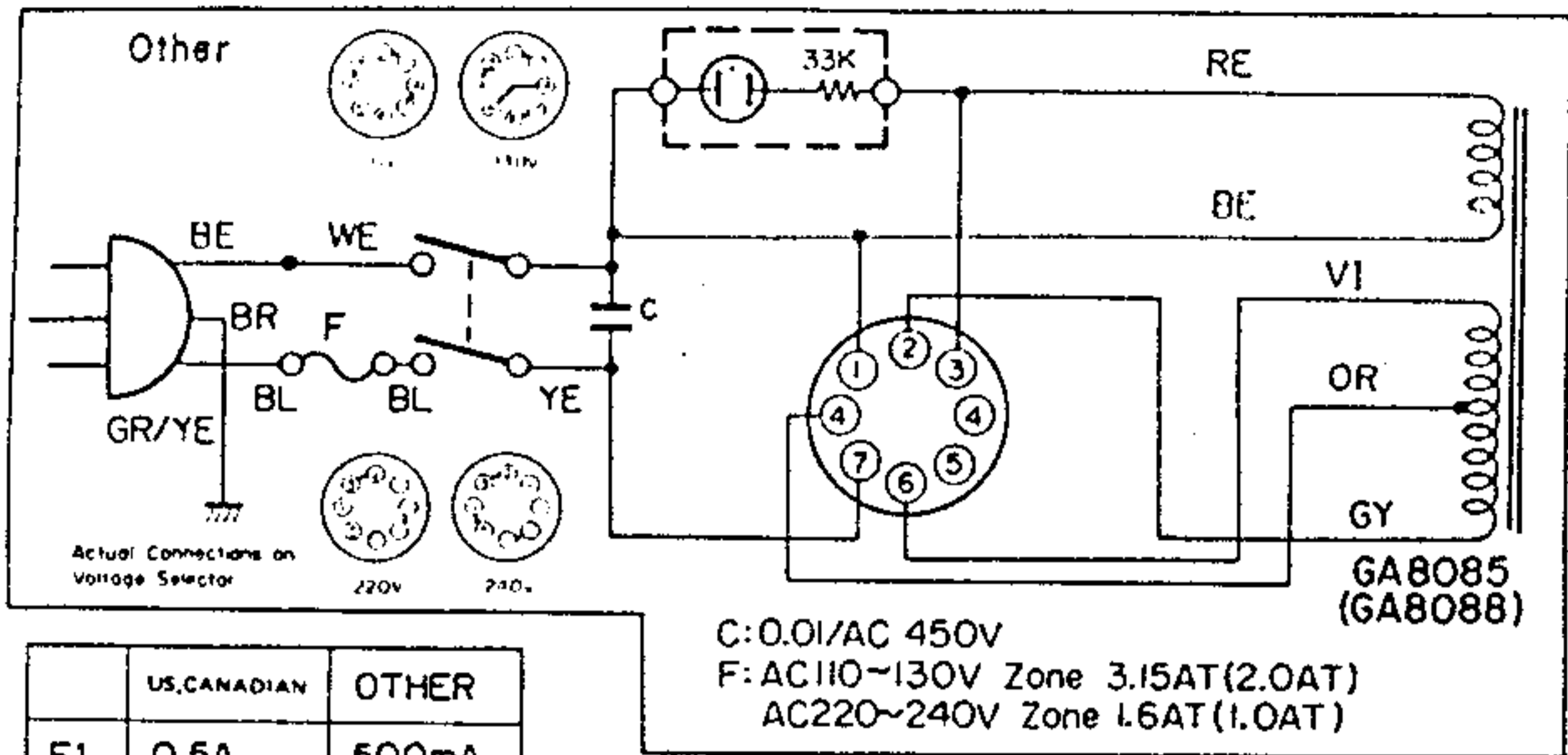


DC BOARD

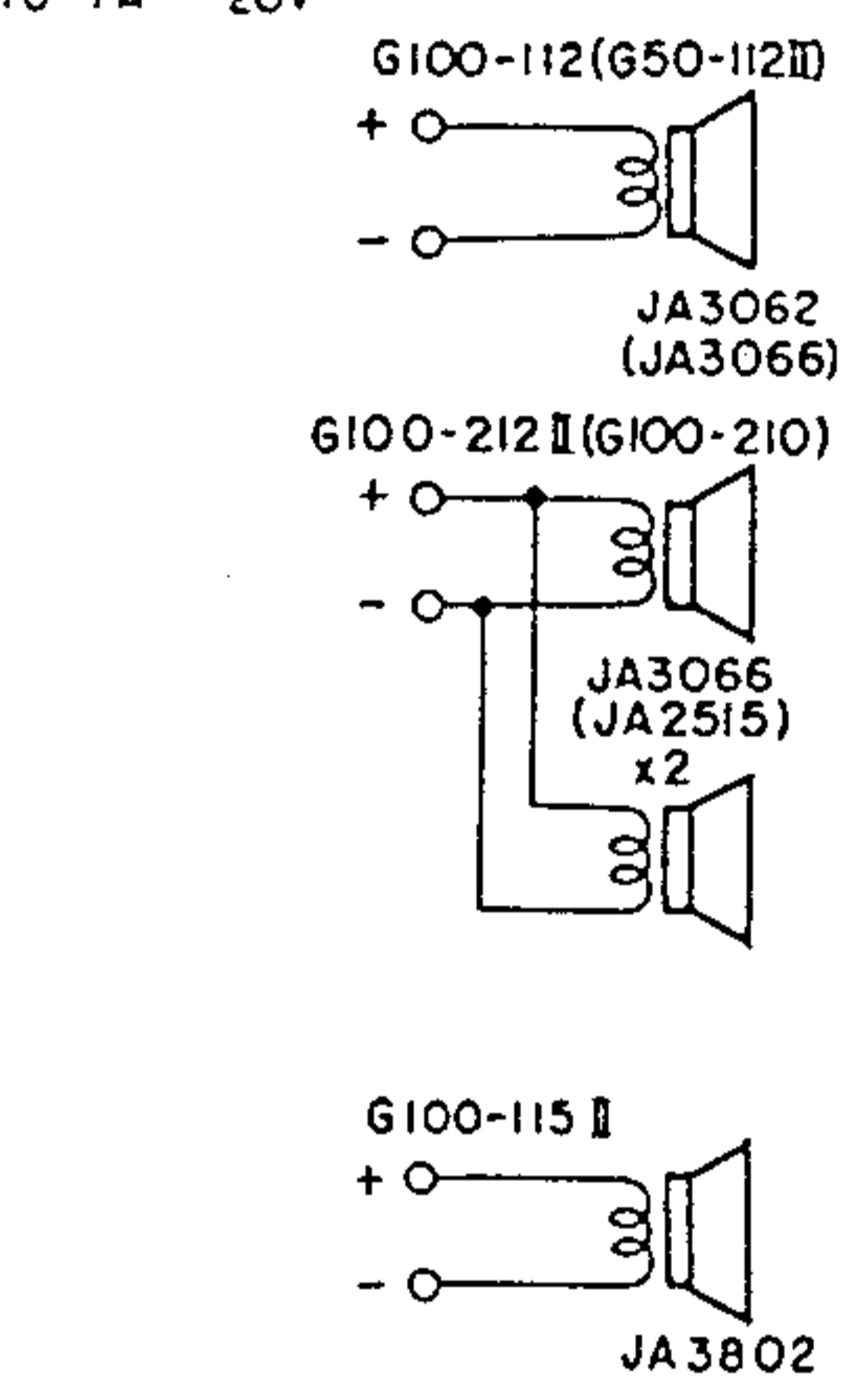
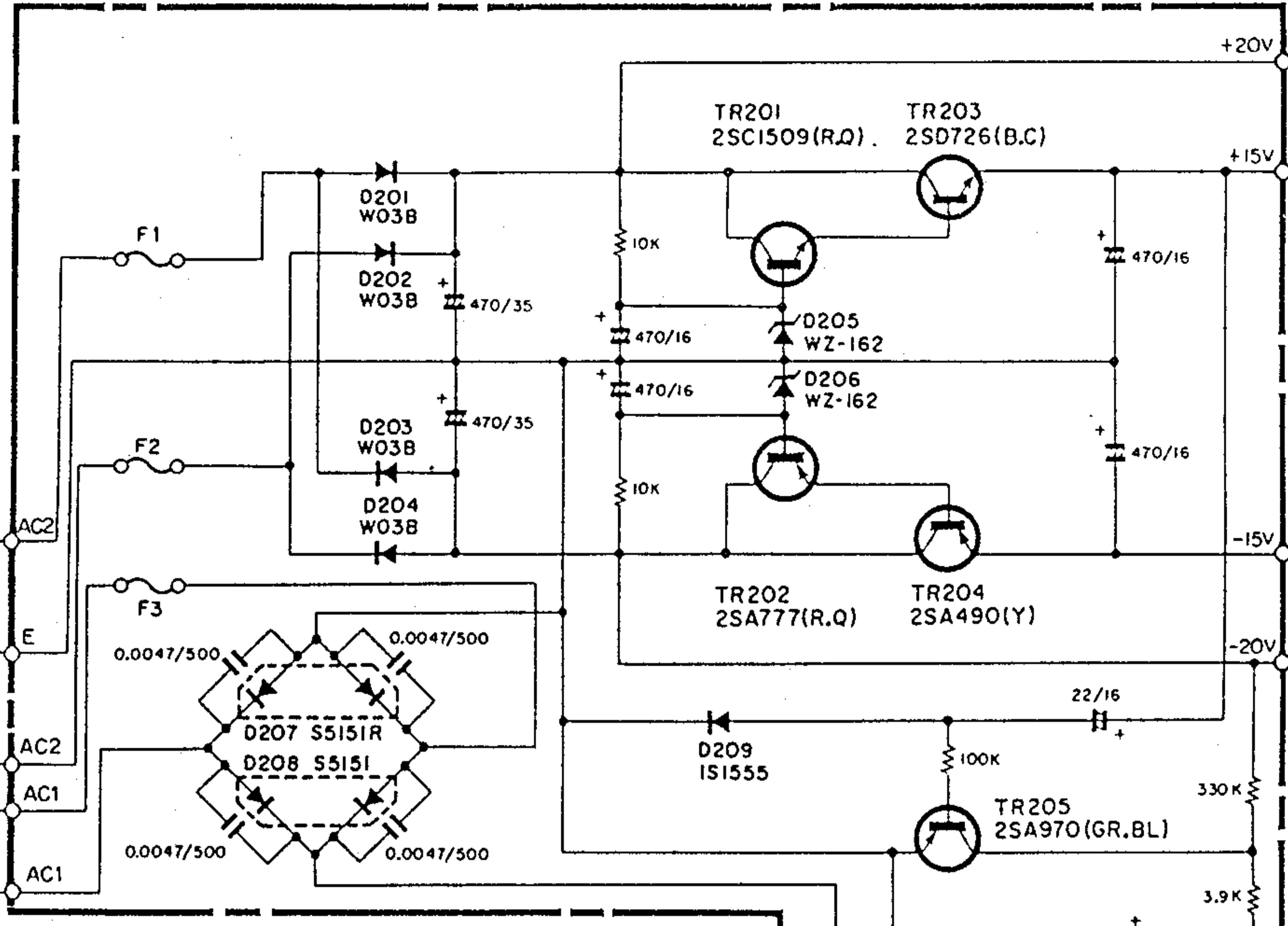
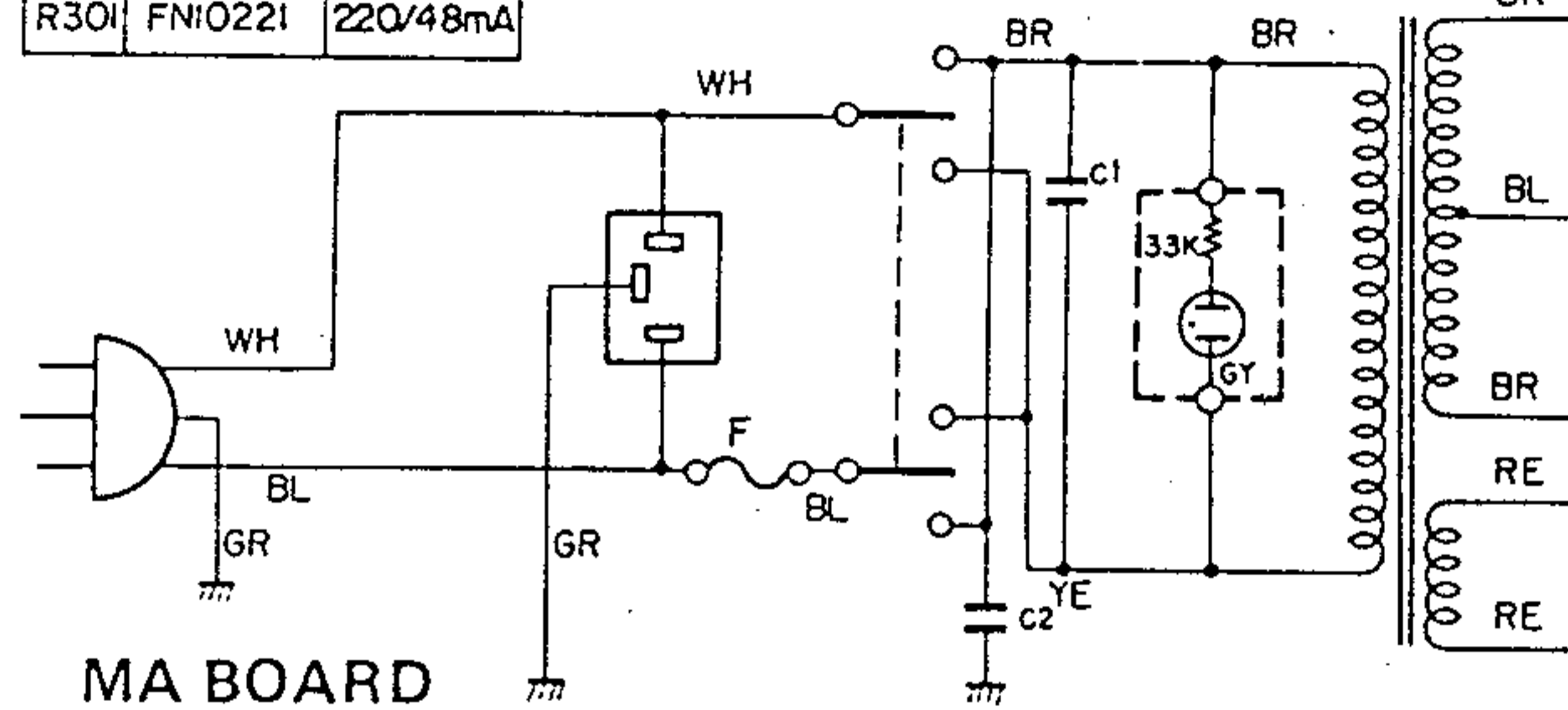


	US,CANADIAN	OTHER
F1	0.5A	500mA
F2	0.5A	500mA
F3	(3.0A) 4.0A	(2.5A) 4.15A
R301	FN10221	220/48mA

C: 0.01/AC 450V
 F: AC 110~130V Zone 3.15AT(2.0AT)
 AC 220~240V Zone 1.6AT(1.0AT)

() for Model G50-112II

C1: 0.01/AC125V
 C2: 0.0033/AC125V
 F: 3A(2.0A)250V UL Fuse



MA BOARD

