

TP	CONDITION 'A'	CONDITION 'B'	CONDITION 'C'
1			
2			
3			
4			
5			
6			
7			
8			
9*			

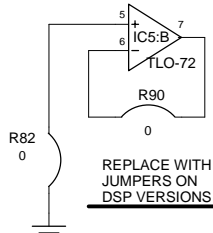
**Note Table**

1] CONDITION "A" : SOLO CHANNEL  
GAIN & LEVEL @ '10', SHAPE @ '5'.  
1kHz 130mV SINE WAVE INPUT

2] CONDITION "B" : OVERDRIVE CHANNEL  
GAIN & LEVEL @ '10', LOW, MID & HIGH @ '5'.  
1kHz 130mV SINE WAVE INPUT

3] CONDITION "C" : CLEAN CHANNEL  
VOLUME @ 10, LOW, MID, HIGH @ 5.  
1kHz 130mV SINE WAVE INPUT

\* FOR TEST POINT 9, PUT A 150 OHM RESISTOR FROM J6 TO J7.



RefDes	-15V	+15V
IC1	4	8
IC2	4	8
IC3	4	8
IC4	4	8
IC5	4	8

**CAUTION:**  
THIS SCHEMATIC IS PROVIDED FOR USE BY QUALIFIED PERSONNEL TO AVOID RISK OF ELECTRIC SHOCK, REFER SERVICING TO QUALIFIED SERVICE PERSONNEL. DO NOT PERFORM ANY SERVICING BEYOND THAT EXPLAINED IN THE OPERATING INSTRUCTIONS.

**NOTES:**

1) CAUTION: SHOCK HAZARD!! THIS UNIT CONTAINS HAZARDOUS VOLTAGE. DISCONNECT POWER AND BE SURE POWER SUPPLY IS DISCHARGED BEFORE TOUCHING INTERNAL PARTS.

2) UNLESS NOTED, RESISTOR VALUES IN OHMS, 1/4W-5% TOL. CAPACITOR VALUES IN MICROFARADS, 50V-10% TOL.

3) VOLTAGES ARE MEASURED WITH 1 MEGOHM OSCILLOSCOPE AND 10 MEGOHM DIGITAL VOLTMETER.

REV	Date	DESCRIPTION	Ecr(s)/Ecn(s)	Chgd By	Appvd by	Date
2	5-18-04	ADDED TUNER CIRCUIT FOR DASH 03 AND 04	N01496	RLB		
1	6/26/03	CHGD C36 FROM .1 TO .01 UF.	N01177	REM		
0	11/27/02	CONTROL ISSUE				

THE INFORMATION CONTAINED ON THIS DRAWING IS PROPRIETARY TO ST. LOUIS MUSIC, INC.

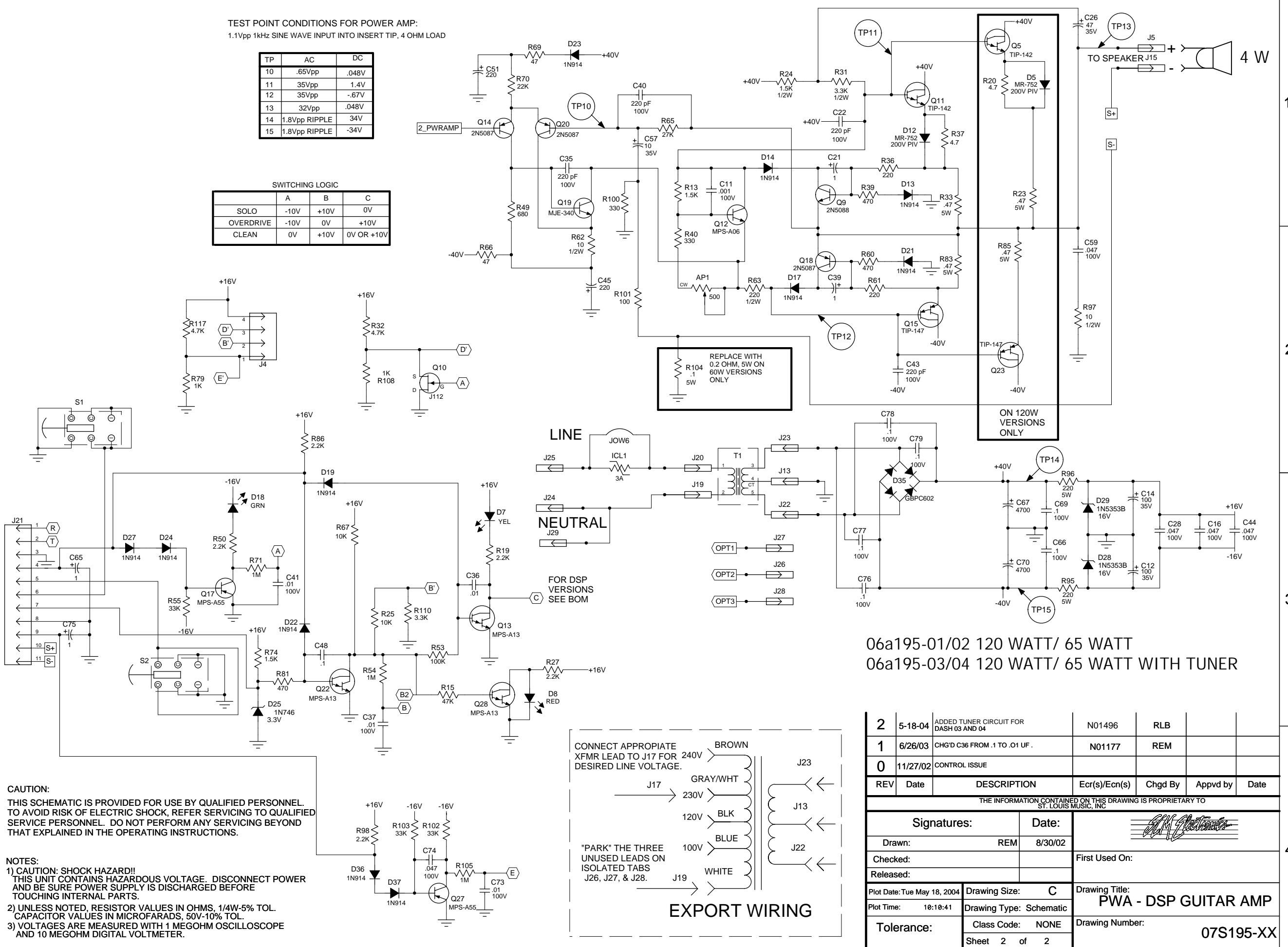
Signatures:		Date:
Drawn: REM		8/30/02
Checked:		First Used On:
Released:		
Plot Date: Tue May 18, 2004	Drawing Size: C	Drawing Title: PWA - DSP GUITAR AMP
Plot Time: 10:10:40	Drawing Type: Schematic	Drawing Number: 07S195-XX
Tolerance:	Class Code: NONE	
	Sheet 1 of 2	

TEST POINT CONDITIONS FOR POWER AMP:  
1.1Vpp 1kHz SINE WAVE INPUT INTO INSERT TIP, 4 OHM LOAD

TP	AC	DC
10	.65Vpp	.048V
11	35Vpp	1.4V
12	35Vpp	-.67V
13	32Vpp	.048V
14	1.8Vpp RIPPLE	34V
15	1.8Vpp RIPPLE	-34V

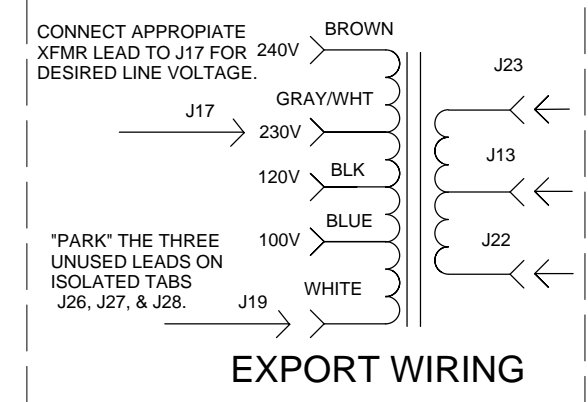
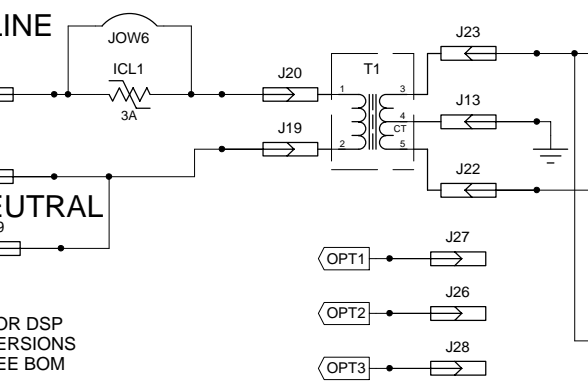
SWITCHING LOGIC

	A	B	C
SOLO	-10V	+10V	0V
OVERDRIVE	-10V	0V	+10V
CLEAN	0V	+10V	0V OR +10V



**CAUTION:**  
THIS SCHEMATIC IS PROVIDED FOR USE BY QUALIFIED PERSONNEL. TO AVOID RISK OF ELECTRIC SHOCK, REFER SERVICING TO QUALIFIED SERVICE PERSONNEL. DO NOT PERFORM ANY SERVICING BEYOND THAT EXPLAINED IN THE OPERATING INSTRUCTIONS.

**NOTES:**  
1) CAUTION: SHOCK HAZARD!! THIS UNIT CONTAINS HAZARDOUS VOLTAGE. DISCONNECT POWER AND BE SURE POWER SUPPLY IS DISCHARGED BEFORE TOUCHING INTERNAL PARTS.  
2) UNLESS NOTED, RESISTOR VALUES IN OHMS, 1/4W-5% TOL. CAPACITOR VALUES IN MICROFARADS, 50V-10% TOL.  
3) VOLTAGES ARE MEASURED WITH 1 MEGOHM OSCILLOSCOPE AND 10 MEGOHM DIGITAL VOLTMETER.



REPLACE WITH 0.2 OHM, 5W ON 60W VERSIONS ONLY

ON 120W VERSIONS ONLY

06a195-01/02 120 WATT/ 65 WATT  
06a195-03/04 120 WATT/ 65 WATT WITH TUNER

2	5-18-04	ADDED TUNER CIRCUIT FOR DASH 03 AND 04	N01496	RLB		
1	6/26/03	CHG'D C36 FROM .1 TO .01 UF.	N01177	REM		
0	11/27/02	CONTROL ISSUE				
REV	Date	DESCRIPTION	Ecr(s)/Ecn(s)	Chgd By	Appvd by	Date

THE INFORMATION CONTAINED ON THIS DRAWING IS PROPRIETARY TO ST. LOUIS MUSIC, INC.

Signatures:		Date:	
Drawn:	REM	8/30/02	
Checked:			First Used On:
Released:			
Plot Date: Tue May 18, 2004	Drawing Size: C	Drawing Title: PWA - DSP GUITAR AMP	
Plot Time: 10:10:41	Drawing Type: Schematic	Drawing Number: 07S195-XX	
Tolerance:	Class Code: NONE	Sheet 2 of 2	