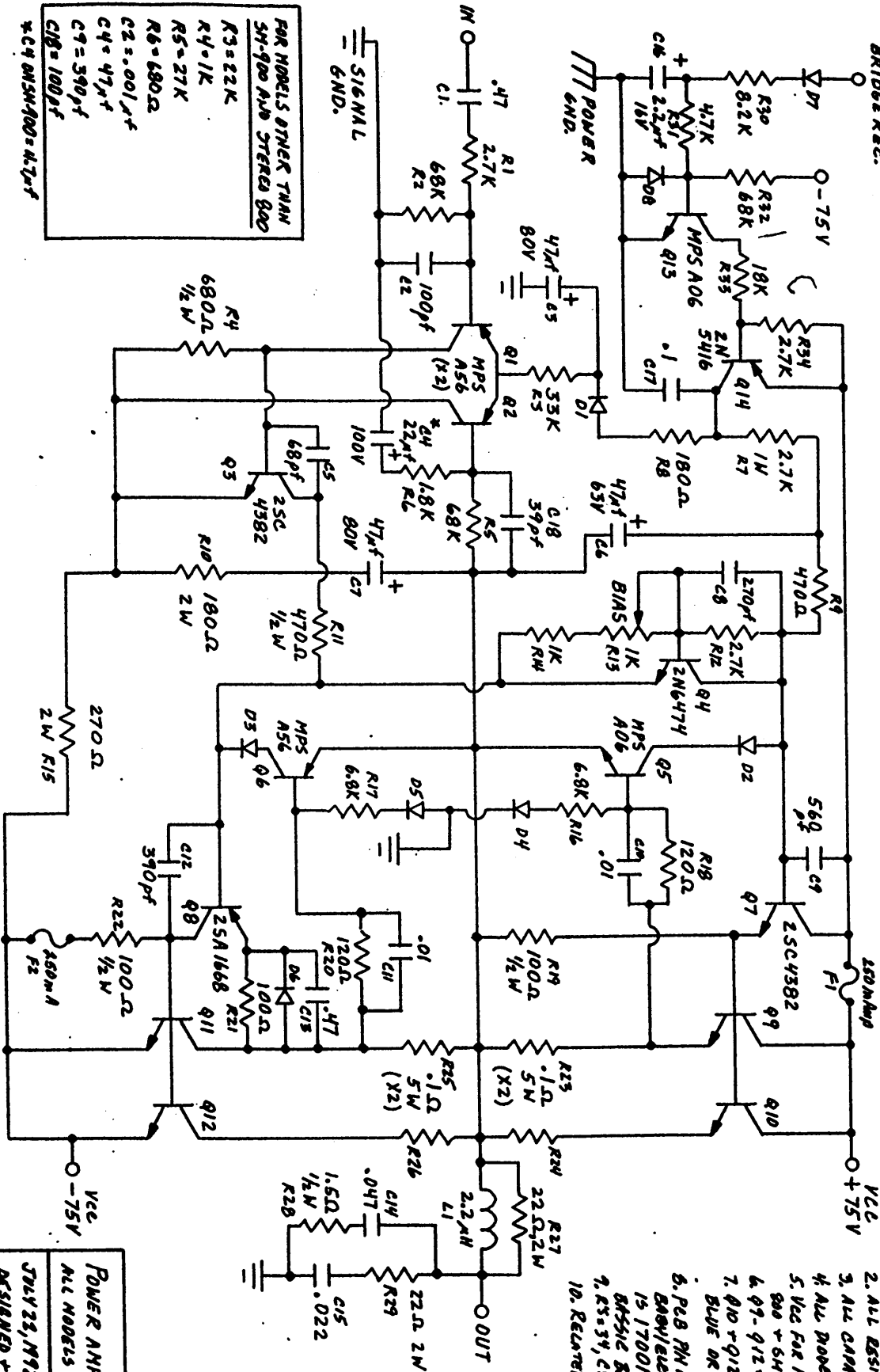


A/C TERMINAL BRIDGE REC.



FOR MODELS OTHER THAN 5M-900 AND STEREO 800

R3=22K
 R4=1K
 R5=27K
 R6=680Ω
 C2=.001μf
 C4=47μf
 C9=390pf
 C18=100pf
 *C4 ON 5M-900=4.7μf

NOTES: UNLESS OTHERWISE SPECIFIED.

1. SEE TABLE FOR ALTERNATE R+C VALUES FOR OTHER MODELS. VALUES SHOWN ARE FOR STEREO 800, 5M-900.
2. ALL RESISTORS IN OHMS, 4W, 5%. ALL CAPACITORS IN MICRO-FARADS.
3. ALL DIODES IN 400V.
4. VCC FOR MODELS OTHER THAN STEREO 800 + 6V-100 = ± 60VDC
5. Q1-Q12 = ZSC 32C4 (SILICON DIODE)
6. Q1-Q12 = ZSC 32C4 (SILICON DIODE)
7. Q10 + Q12 FOR 4W AND 5W/BLU/BLU/BLU BLUE OR 6W/5W/BLACK
8. PCB FIN FOR ALL MODELS EXCEPT 800/BLU/BLU BLUE + 6W/5W/BLACK 15 170010. 800/BLU - 170010. 6W/5W/BLACK - 170013.
9. R5=34, C5=18, D5=S, Q5=14, L2=1, R3=2
10. RELATED DWGS 1002, 1003

POWER AMP SCHEMATIC 1011

JULY 23, 1972
 DESIGNED + DRAWN BY: S.H. RANG
 SWR 676, ENG. 10470-5585