

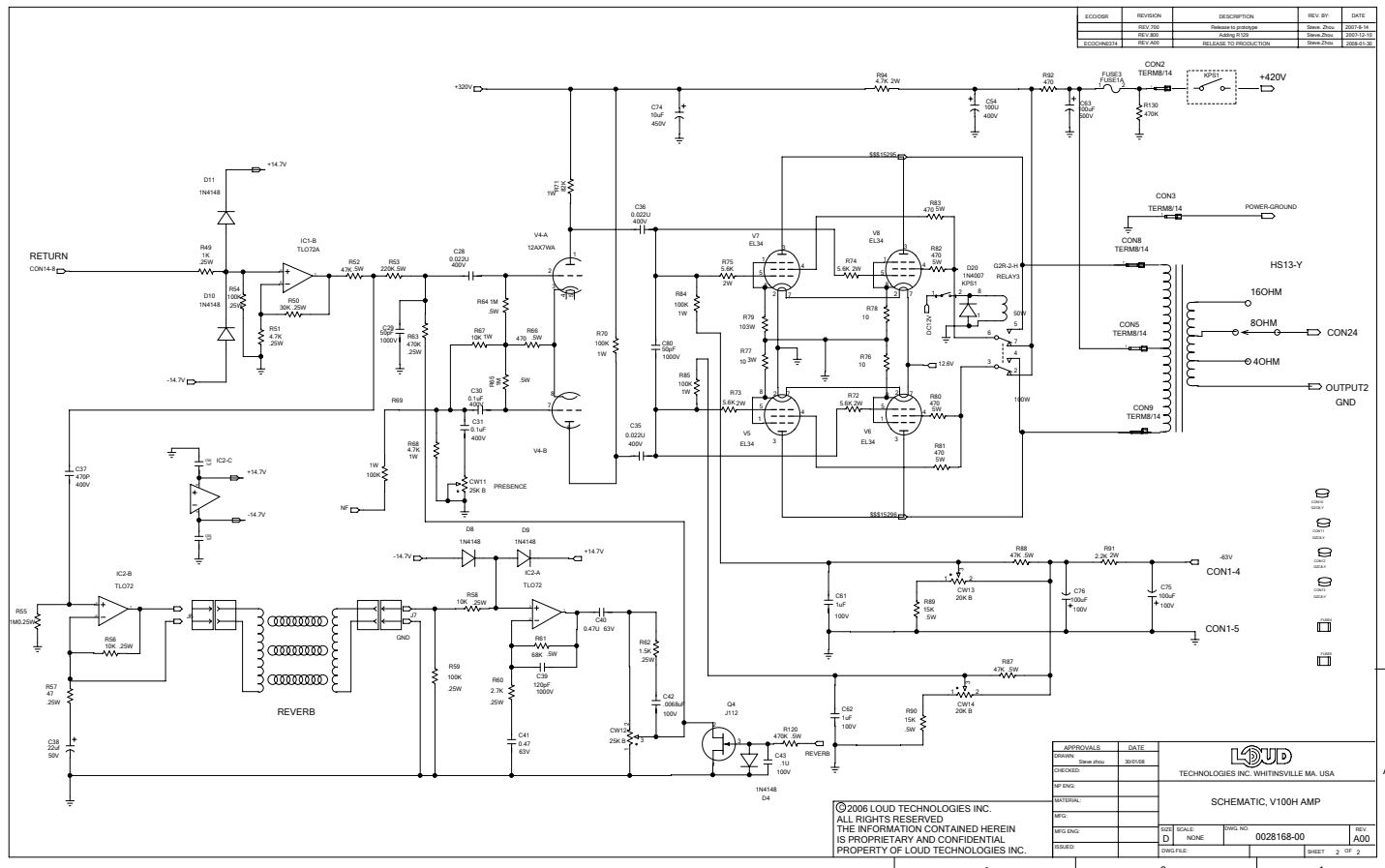
DESCRIPTION	REVISION	DESCRIPTION	REV. BY	DATE
000000P	REV:00	Release to production	Steve Zhou	2007-01-14
0000000P	REV:01	Adding B202	Steve Zhou	2007-01-14
0000000P	REV:02	RELEASE TO PRODUCTION	Steve Zhou	2007-01-14

APPROVALS	DATE
DRAWN: Steve Zhou	30/01/08
CHECKED:	
APP ENG:	
MATERIAL:	
MFG:	
MFG ENG:	
ISSUED:	

<b>LOUD</b>	
TECHNOLOGIES INC. WHTNSVILLE MA, USA	
<b>SCHEMATIC: V100H AMP</b>	
REV: D	REV: A00
SCALE: NONE	DWG NO: 0028168-00
DWG FILE:	SHEET 1 OF 2

© 2006 LOUD TECHNOLOGIES INC.  
 ALL RIGHTS RESERVED.  
 THE INFORMATION CONTAINED HEREIN  
 IS PROPRIETARY AND CONFIDENTIAL  
 PROPERTY OF LOUD TECHNOLOGIES INC.



DESCRIPTION	REVISION	DESCRIPTION	REV BY	DATE
	REV 700	Change to prototype	Steve Zhou	2007-8-14
	REV 800	Adding R 102	Steve Zhou	2007-12-12
	REV 900	RELEASE TO PRODUCTION	Steve Zhou	2008-12-22

APPROVALS	DATE
DRAWN	Steve Zhou 30/01/08
CHECKED	
APP ENG	
TESTING	
REV ENG	
ISSUED	

**LOUD**  
TECHNOLOGIES INC. WHITINSVILLE MA, USA

SCHEMATIC, V100H AMP

© 2006 LOUD TECHNOLOGIES INC.  
ALL RIGHTS RESERVED  
THE INFORMATION CONTAINED HEREIN  
IS PROPRIETARY AND CONFIDENTIAL  
PROPERTY OF LOUD TECHNOLOGIES INC.

REV	SCALE	REV NO.	REV
D	NONE	0028168-00	A00
DWG FILE:			SHEET 2 OF 2