

NEW SIDEKICK SERIES REPLACEMENT PARTS LIST

June, 1985

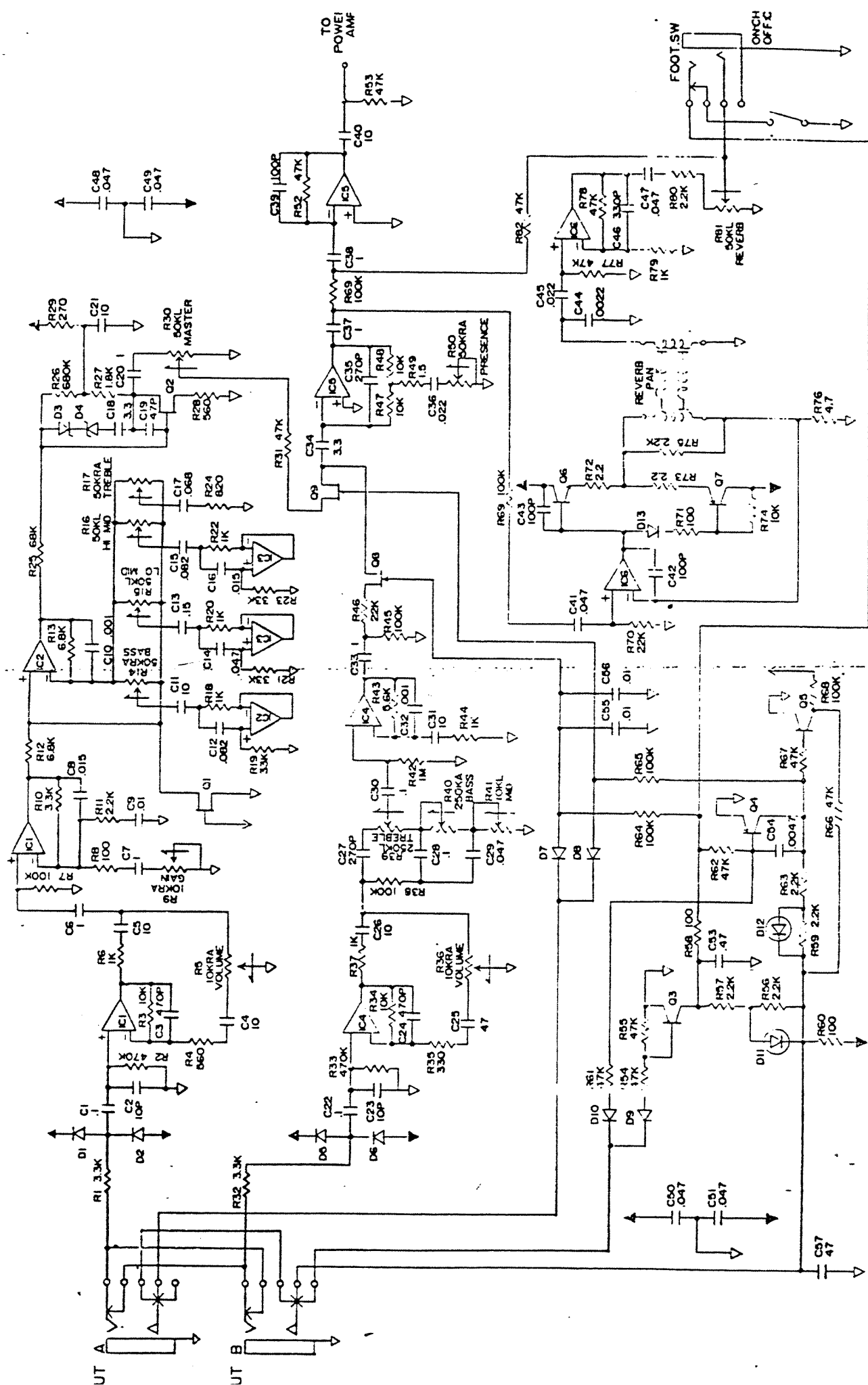
<u>PART NUMBER</u>	<u>DESCRIPTION</u>
025118-000	Op Amp, M5218P
025119-000	Transistor, 2SA1011
025121-000	Transistor, 2SA1015GR
025123-000	Transistor, 2SB560
025124-000	Transistor, 2SC2344
025125-000	Transistor, 2SC2362
025126-000	Transistor, 2SD438
025127-000	Transistor, 2SD1047
023191-000	Transistor, 2SD313E or F
022864-000	Transistor, 2SC1815GR
022969-000	Transistor, 2SD600E or F
023193-000	Transistor, 2SD613E or F
023194-000	Transistor, 2SD1046E or F
022967-000	Transistor, 2SB631
025128-000	FET, 2SK170V
022865-000	FET, 2SK30GRATM
025129-000	Diode, DBA-100C
025131-000	Diode, DBA-40C
025132-000	Diode, DBA-30C
025134-000	Diode, W02
022908-000	LED
022909-000	LED Grip
025188-000	Capacitor, Electrolytic, 3300MFD-63V
023020-000	Capacitor, 3300 μ f, 35V
022840-000	Capacitor, 4700 μ f, 50V
025204-000	Control, 18-SER, 100K Ohm, RAx2
025206-000	Control, 18-SER, 10K Ohm, RA w/T60%
025207-000	Control, F-Shaft, 10K Ohm, RA
025208-000	Control, F-Shaft, 250K Ohm, Aud
025209-000	Control, F-Shaft, 250K Ohm, Lin
025210-000	Jack, Input, TJ065-080-01
025212-000	Jack, Input, TJ253-020-02
022923-000	Jack, Headphone
025214-000	Pin-Jack (for Reverb), P254P-4
025223-000	Fuse Clip, F-208
022924-000	Fuseholder -
025234-000	Front Panel, SK-15
025235-000	Front Panel, SK-25R
025236-000	Front Panel, SK-35R
025238-000	Front Panel, SK-65R
025240-000	Front Panel, SK-35B
025241-000	Front Panel, SK-65B
025242-000	Front Panel, Stage Lead II
025243-000	Front Panel, Stage Lead II, 2-12"

NEW SIDEKICK SERIES REPLACEMENT PARTS LIST

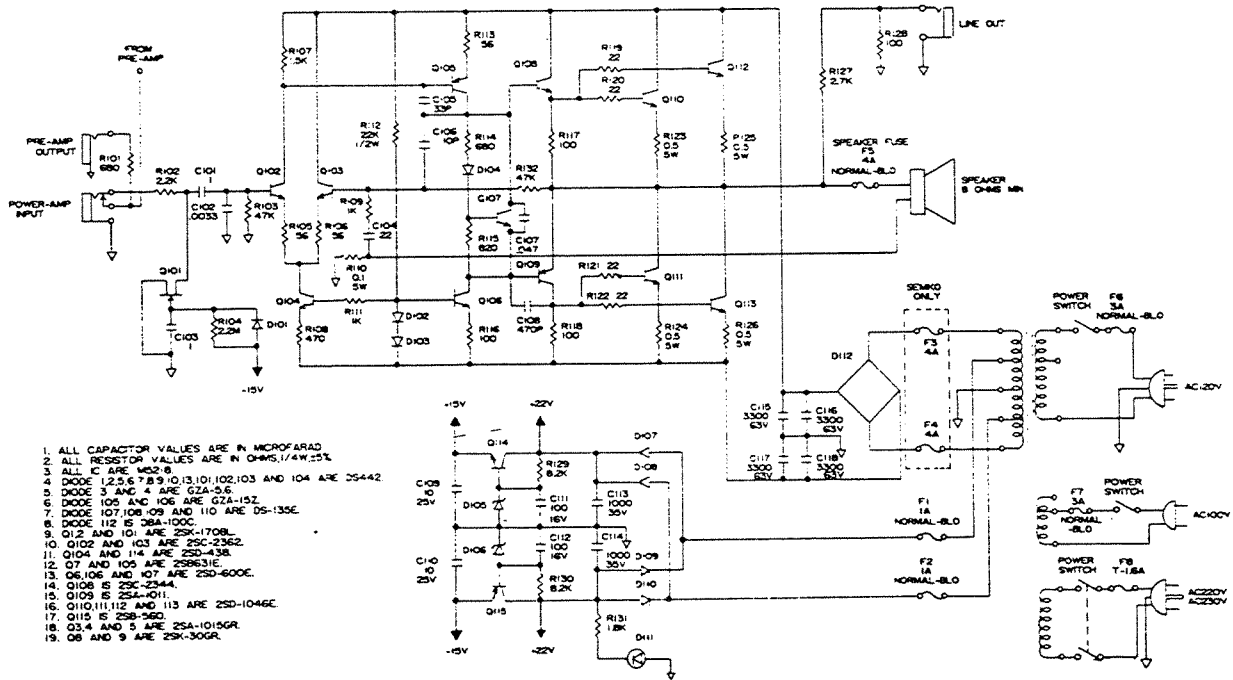
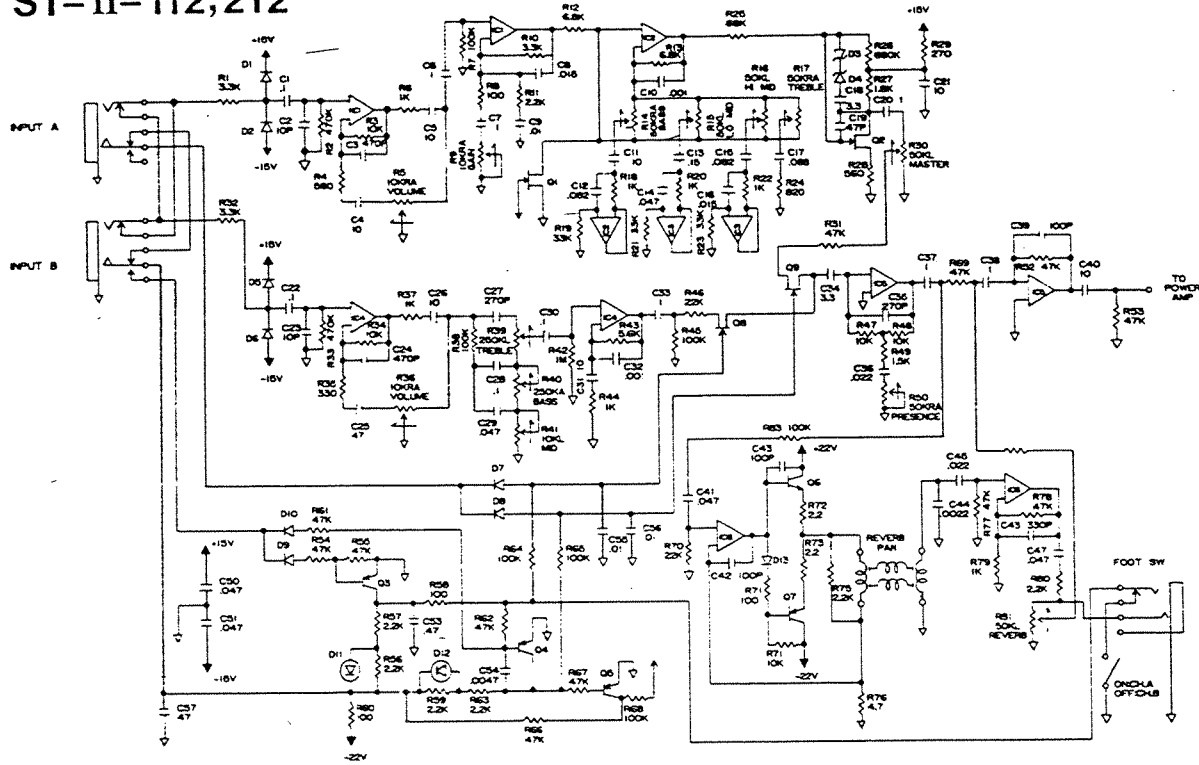
Page 2 of 2

<u>PART NUMBER</u>	<u>DESCRIPTION</u>
025244-000	Rear Panel, SK-15
025246-000	Rear Panel, Sk-25R
025248-000	Rear Panel, SK-35R
024249-000	Rear Panel, SK-65R
025250-000	Rear Panel, SK-35B
025251-000	Rear Panel, SK-65B
025253-000	Rear Panel, Stage Lead II
025255-000	Rear Panel, Stage Lead II, 2-12"
025269-000	Reverb Pan, SR01542C
025273-000	Footswitch, FT-1
025274-000	Footswitch, FT-2
025279-000	Power Switch, CTA-01 CSA
025280-000	Channel Switch, ESS2207
022935-000	Power Switch, WK-2A44
025275-000	Transformer, Power, F2158UC
025276-000	Transformer, Power, F-168UC
025277-000	Transformer, Power, F-1008UC
023029-000	Transformer, Power, SK-25, 20VC
023054-000	Transformer, Power, SK-35, 30VC
025287-000	Connector, Flat, 5273-05A
025289-000	Connector, Flat, CMSP-3004
025290-000	Connector, Flat, 5045-10A
025291-000	Connector Housing, 5051-10
025292-000	Connector Housing, 5239-05A
025293-000	Connector Housing, 0640-4004
025295-000	Connector Terminal, 5159TL
025297-000	Connector Terminal, 5167TL
025298-000	Contact, 17401-M2
025300-000	Knob, FK-2
025303-000	Cabinet, SK-15
025305-000	Cabinet, SK-25R
025306-000	Cabinet, SK-35R
025315-000	Cabinet Foot, PFSK-15
025316-000	Glide Assembly, PFSK-25
025317-000	Glide Assembly, PFSK-50
025356-000	Manual, Owner's, Sidekick Guitar Amplifiers
025357-000	Manual, Owner's, Sidekick Bass Amplifiers
	Manual, Owner's, Stage Lead II Amplifiers
025362-000	Circuit Diagram, SK-25R
025363-000	Circuit Diagram, SK-35R
025364-000	Circuit Diagram, SK-65R
025365-000	Circuit Diagram, SK-35B
025366-000	Circuit Diagram, SK-65B

SCHEMATIC-STAGE LEAD II-PRE



ST-II-112,212



1. ALL CAPACITOR VALUES ARE IN MICROFARAD
2. ALL RESISTOR VALUES ARE IN OHMS, 1/4W, 5%
3. ALL IC ARE MC32-B
4. DIODE 1,2,5,6,7,8,9,10,11,102,103 AND 104 ARE 2S442
5. DIODE 3 AND 4 ARE G2A-0.6
6. DIODE 105 AND 106 ARE G2A-152
7. DIODE 107,108,09 AND 110 ARE DS-135E
8. DIODE 112 IS 3BA-100C
9. Q12 AND 101 ARE 2SK-1708L
10. Q102 AND 103 ARE 2SC-2362
11. Q104 AND 114 ARE 2SD-438
12. Q7 AND 105 ARE 2S8631C
13. Q6,106 AND 107 ARE 2SD-600C
14. Q108 IS 2SC-2344
15. Q109 IS 2SA-011
16. Q110,111,112 AND 113 ARE 2SD-1046C
17. Q115 IS 2S8-560
18. Q3,4 AND 5 ARE 2SA-1015GR
19. Q6 AND 9 ARE 2SK-300R