

FENDER M-80 BASS AMPLIFIER SERIES

P/N 224200 COMBO (120V)
 P/N 224240 COMBO (240V)
 P/N 224250 COMBO (220V)
 P/N 224270 COMBO (100V)
 P/N 224207 HEAD (120V)
 P/N 224247 HEAD (240V)
 P/N 224257 HEAD (220V)
 P/N 224277 HEAD (100V)

PARTS LIST PAGE 1 OF 6

*** PRINTED CIRCUIT BOARD ASSEMBLY ***

QTY	PART #	DESCRIPTION	REFERENCE DESIGNATION
1	037650	P.C.B. (STUFFED)	PCB1 (120V)
1	037651	P.C.B. (STUFFED)	PCB1 (220/240V)
1	037652	P.C.B. (STUFFED)	PCB1 (100V)
1	037649	P.C.B. (BLANK)	PC1
1	025970	CAPCD 1KV 5pF 10%	C45
1	004026	CAPCD 1KV 22pF 10%	C37
2	025979	CAPCD 1KV 50pF 10%	C1 39
2	025982	CAPCD 1KV 68pF 10%	C46 47
2	069724	CAPCD 1KV 100pF 10%	C7 21
1	007029	CAPCD 1KV 220pF 10%	C28
1	025777	CAPCD 1KV 470pF 10%	C18
1	017518	CAPCD 1KV 560pF 10%	C12
1	033605	CAPRE 50V .15uF 20	C30
2	028458	CAPRE 50V 1uF 20	C34 38
10	028459	CAPRE 50V 2.2uF 20	C8 17 20 40 43 53 +55-58
1	028460	CAPRE 50V 4.7uF 20	C42
3	028465	CAPRE 25V 22uF 20	C13 19 24
3	028471	CAPRE 50V 47uF 20	C32 48 49
3	025787	CAPRE 16NP 100uF 20	C44 50 51
2	028474	CAPRE 25V 100uF 20	C61 62
1	028479	CAPRE 25V 220uF 20	C35
2	028031	CAPRE 63V 3300uF HT	C59 60
7	027278	CAPRF 63V .1 10	C5 14 15 33 54 63 64
1	027280	CAPRF 63V .15 10	C9
1	027281	CAPRF 63V .22 10	C4
1	027286	CAPRF 63V .47 10	C6
1	024854	CAPRF 400V .1 10	C52
2	033579	CAPRP 100V .0015 10	C26 36
1	033580	CAPRP 100V .0022 10	C41
1	033581	CAPRP 100V .0033 10	C10
2	036182	CAPPP 100V .0033 2%	C2 3

FENDER M-80 BASS AMPLIFIER SERIES

PARTS LIST PAGE 2 OF 6

*** PRINTED CIRCUIT BOARD ASSEMBLY (CONTINUED) ***

QTY	PART #	DESCRIPTION	REFERENCE DESIGNATION
2	033582	CAPRP 100V .0039 10	C22 7
2	033583	CAPRP 100V .0047 10	C16 23
1	033591	CAPRP 100V .033 10	C11
3	033592	CAPRP 100V .047 10	C25 29 31
2	031087	CTRL, 25K, 2B DET	R21 25 (BASS, TREBLE)
2	027945	CTRL, 100K, B	R63 68 (RATE, DEPTH)
1	031090	CTRL, 100K10A, 100K5C	R12 (VOLUME)
1	037635	CTRL, 100K30A, 100K30C	R14 (MID)
30	006260	DIODE 75PRV 1N4448 SIG	CR1-9 11-15 17-20 +26 29-31 36-43
4	025821	DIODE 200PRV FDH400 SIG	CR16 21 32 33
2	020534	DIODE 200PRV 1N5402 3AMP	CR34 35
4	029045	DIODE 400PRV 6A4 6AMP	CR45-48
4	028776	DIODE BIAS REF BYV26D	CR22-25
10	025802	FASTON TAB .250	CP1-10 (EXPORT)
5	025802	FASTON TAB .250	CP1 2 8-10 (DOMESTIC)
2	025996	FUSE CLIP PCB DUAL	at XF1
1	090738	FUSE 6A	F1 (100/120V)
1	020796	FUSE 3.15A 5mm	F1 (220/240V)
1	029671	IC BBD DEVICE MN3007	U10
1	029672	IC BBD DRIVER MN3101	U9
1	027404	IC OP TRANS AMP CA3080AE	U6
7	016795	IC OP-AMP DUAL JFET TLO72P	U1-5 7 8
1	027387	INDUCTOR 2.5uH	L1
5	037036	JACK PHONE MONO	J1-5 (IN, EFF, FTSW)
3	029175	JACK PHONE HiC PCB	J6-8 (LINE, SPK OUT)
1	029719	FLEX CABLE	FC1
1	037620	HEAT SINK SPREADER	SS1
2	028039	LED RED 5x5mm ROHM SLB	LD1 3
1	028097	LED YELLOW 5x5mm ROHM SLB	LD2
3	027337	LED SPACERS	at LD1-3
4	031071	MICA INSULATORS	at Q21-24
4	025936	PLASTIC STANDOFF	SF1-4 (PCB MTG)
5	024947	RESCF 1/4W 47ohm 5%	R71 75 76 8 85
1	024952	RESCF 1/4W 100ohm5%	R36
1	024955	RESCF 1/4W 180ohm5%	R122
2	024956	RESCF 1/4W 220ohm5%	R94 95
2	024961	RESCF 1/4W 470ohm5%	R103 105
1	024963	RESCF 1/4W 680ohm5%	R134
8	024965	RESCF 1/4W 1K 5%	R31 32 79 82 0 +100 131 141
4	024969	RESCF 1/4W 1.5K 5%	R69 97 99 146
3	024970	RESCF 1/4W 1.8K 5%	R8 9 11

FENDER M-80 BASS AMPLIFIER SERIES

PARTS LIST PAGE 3 OF 6

*** PRINTED CIRCUIT BOARD ASSEMBLY (CONTINUED) ***

QTY	PART #	DESCRIPTION	REFERENCE DESIGNATION
7	024971	RESCF 1/4W 2.2K 5%	R17 88 89 92 93 108
2	024972	RESCF 1/4W 2.7K 5%	+109
1	024973	RESCF 1/4W 3.3K 5%	R15 49
2	026504	RESCF 1/4W 3.6K 5%	R64
2	024975	RESCF 1/4W 3.9K 5%	R20 22
2	024977	RESCF 1/4W 4.7K 5%	R10 129
3	028034	RESCF 1/4W 5.1K 5%	R37 139
1	025942	RESCF 1/4W 7.5K 5%	R44 45 74
12	024981	RESCF 1/4W 10K 5%	R86
2	024985	RESCF 1/4W 15K 5%	R24 35 55 57 59-61
5	024986	RESCF 1/4W 18K 5%	+124 126 128 140 143
1	029006	RESCF 1/4W 20K 5%	R87 132
5	024987	RESCF 1/4W 22K 5%	R46-48 65 72
4	024988	RESCF 1/4W 27K 5%	R38
3	024989	RESCF 1/4W 33K 5%	R13 19 26 33 138
1	024991	RESCF 1/4W 39K 5%	R83 91 104 106
2	024993	RESCF 1/4W 47K 5%	R34 67 137
2	028990	RESCF 1/4W 51K 5%	R23
3	024995	RESCF 1/4W 68K 5%	R62 136
13	024997	RESCF 1/4W 100K 5%	R51 52
2	024998	RESCF 1/4W 120K 5%	R1 2 27
1	024999	RESCF 1/4W 150K 5%	R30 42 43 54 56 70
1	025059	RESCF 1/4W 220K 5%	+77 78 123 125 127
3	025061	RESCF 1/4W 330K 5%	+130 133
3	025065	RESCF 1/4W 470K 5%	R29 142
4	025069	RESCF 1/4W 1M 5%	R135
1	025075	RESCF 1/4W 2.2M 5%	R50
4	031693	RESFF 1/4W 4.7ohm5%	R28 41 73
2	033205	RESFF 1/4W 15ohm5%	R16 18 66
1	027749	RESFF 1/4W 22ohm5%	R3 58 80 81
1	036379	RESMF 1/4W 23.7K 1%	R39
1	016971	RESMF 1/4W 33.2K 1%	R110-113
2	036380	RESMF 1/4W 750K 1%	R101 102
1	026549	RESCF 1/2W 1.5K 5%	R107
1	027627	RESCF 1W 10ohm 5%	R5
3	037354	RESCF 1W 4.7K 5%	R6
2	027628	RESCF 2W 47ohm 5%	R4 7
4	032958	RESWW 5W .33ohm 10	R53
2	029047	RESWW 7W 270ohm 10	R120
			R96 98 121
			R118 119
			R114-117
			R144 145

FENDER M-80 BASS AMPLIFIER SERIES

PARTS LIST PAGE 4 OF 6

*** PRINTED CIRCUIT BOARD ASSEMBLY (CONTINUED) ***

QTY	PART #	DESCRIPTION	REFERENCE DESIGNATION
6	027638	SCREW 4-40x3/8" TF	
4	032908	SCREW 6-32x3/8" TF	SC1-6
2	029913	SCREW 6-32x3/16"TF	SC7-10
2	028091	SW 2P2T ALT/ACTION	SC11 12
2	028101	SW BUTTONS RED	S1 2 (COMPR, CHORUS)
1	031910	THERMAL BREAKER	at S1 2
1	026411	THERMISTOR NTC 8A	TB1
1	019994	TRIMPOT 100K HOR-SM	TH1
1	037916	WIRE SET	R40 (BUCK BRIG BIAS)
2	014689	XISTOR JFET N-CHAN J-111	WC1
7	016739	XISTOR NPN 2N4401	Q5 7
4	025751	XISTOR NPN 2SC2362K	Q1 2 4 6 17 25 27
1	014867	XISTOR NPN MPS-U10	Q8-10 14
1	028760	XISTOR NPN 2SC3298A	Q16
2	028763	XISTOR NPN 2SC3281	Q19
3	016742	XISTOR PNP 2N4403	Q21 22 (TO-3P[L])
3	025752	XISTOR PNP 2SA1016K	Q3 18 26
1	014866	XISTOR PNP MPS-U60	Q11-13
1	028759	XISTOR PNP 2SA1306A	Q15
2	028762	XISTOR PNP 2SA1302	Q20
1	014408	XISTOR PNP MPSA63 DARL	Q23 24 (TO-3P[L])
1	031019	ZENER 15V .5W 5% 1N5245B	Q28
2	028119	ZENER 16V 5W 10% 1N5353A	CR10
1	027329	ZENER 3.9V .5W 5% 1N5228B	CR49 50
2	027327	ZENER 6.2V .5W 5% 1N5234B	CR44 CR27 28

*** CHASSIS ASSEMBLY ***

QTY	PART #	DESCRIPTION	REFERENCE DESIGNATION
1	037898	CHASSIS (COMPLETE)	CH1 (120V COMBO)
1	037899	CHASSIS (COMPLETE)	CH1 (240V COMBO)
1	037900	CHASSIS (COMPLETE)	CH1 (220V COMBO)
1	037901	CHASSIS (COMPLETE)	CH1 (100V COMBO)
1	037903	CHASSIS (COMPLETE)	CH1 (120V HEAD)
1	037904	CHASSIS (COMPLETE)	CH1 (240V HEAD)
1	037905	CHASSIS (COMPLETE)	CH1 (220V HEAD)
1	037906	CHASSIS (COMPLETE)	CH1 (100V HEAD)
1	037634	CHASSIS (BLANK)	CC1
1	037645	FRONT PANEL	FP1 (COMBO)
1	037690	FRONT PANEL	FP1 (HEAD)
6	025952	KNOB RED	KN1-6 (COMBO)

FENDER M-80 BASS AMPLIFIER SERIES

PARTS LIST PAGE 5 OF 6

*** CHASSIS ASSEMBLY (CONTINUED) ***

QTY	PART #	DESCRIPTION	REFERENCE DESIGNATION
6	026089	KNOB RED	KN1-6 (HEAD)
1	026527	LINE CORD A.C.	LC1 (100/120V)
1	026528	LINE CORD A.C.	LC1 (220/240V)
4	028937	SCREW TF 6-32x5/8 PHP ZI	SC13-16 (PCB MTG)
1	029913	SCREW TF 6-32x3/16 PHP ZI	SC17 (GND LUG MTG)
5	028500	SCREW TF 8-32x3/4 HWH SLT	SC18-22 (HTSINK MTG)
1	026038	STRAIN RELIEF BUSHING	SR1 (100/120V)
1	010401	STRAIN RELIEF BUSHING	SR1 (220/240V)
1	026479	SWITCH POWER DPST ON/OFF	S3
1	027515	TRANSFORMER POWER	T1 (DOMESTIC)
1	029344	TRANSFORMER POWER	T1 (EXPORT)
1	028564	TRANSFORMER END BELL	BT1
4	028591	NUT ACORN 8-32	NT1-4
4	030007	WASHER LWI #8	WW1-4
1	037917	WIRE SET	WC2

*** CABINET ASSEMBLY ***

QTY	PART #	DESCRIPTION	REFERENCE DESIGNATION
1	037537	CABINET COMPLETE	CA1 (CARPET COMBO)
1	037550	CABINET COMPLETE	CA1 (VINYL COMBO)
1	037539	CABINET COMPLETE	CA1 (CARPET HEAD)
1	037691	CABINET COMPLETE	CA1 (VINYL HEAD)
8	031796	CORNER POLYETHYLENE	CN1-8 (CARPET MODELS)
4	031838	CORNER 2-HOLE	CN1-4 (VINYL MODELS)
2	031840	CORNER 3-HOLE	CN5 6 (VINYL MODELS)
1	031525	COVERING CARPET	CC1 (CARPET MODELS)
1	026570	COVERING VINYL	CV1 (VINYL MODELS)
4	027849	GLIDE	GL1-4 (VINYL MODELS)
4	019275	GLIDE INSERT	GT1-4 (VINYL MODELS)
1	026317	GRILLE CLOTH BLACK	GC1 (CARPET MODELS)
1	026319	GRILLE CLOTH GRAY	GC1 (VINYL MODELS)
1	027846	HANDLE	HH1
1	032524	HANDLE INSERT	HT1
2	031845	HANDLE CAP	HC1 2
32	016627	SCREW 8x3/4 OHP BLX	SC23-54 (CARP CORNER)
16	026576	SCREW 8x5/8 TH BLX	SC55-70 (VIYL CORNER)
4	017393	SCREW 10.32x1-1/8 OHP BLX	SC71-74 (HANDLE MTG)
4	026625	SCREW 8x1 FH WOOD	SC75-78 (GLIDE MTG)

FENDER M-80 BASS AMPLIFIER SERIES

PARTS LIST PAGE 6 OF 6

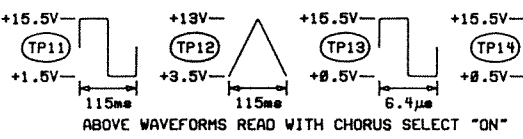
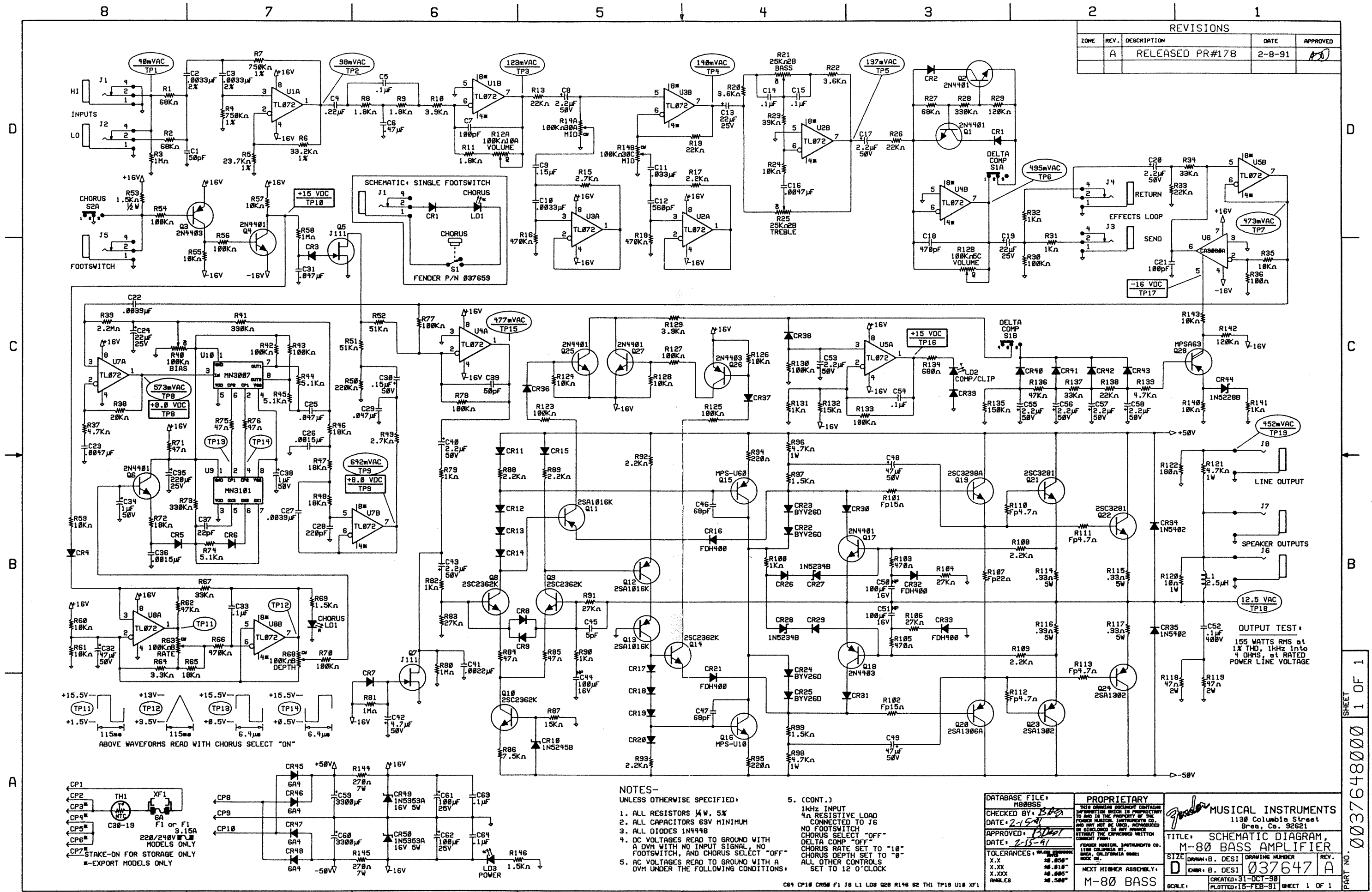
*** FOOTSWITCH ASSEMBLY ***

QTY	PART #	DESCRIPTION	REFERENCE	SIGNATION
1	037659	FOOTSWITCH COMPLETE	FT1	
1	028781	P.C.B. (STUFFED)	PCB2	
1	028780	P.C.B. (BLANK)	PC2	
1	006260	DIODE SIGNAL 1N4448	CR53	
1	037036	JACK PHONE MONO	J9	
1	028039	LED 5x5mm RED SLB-55VR3	LD4	
1	031647	NUT	NT5	
1	034921	SPACER ROUND NYLON	SP1	
1	028714	SWITCH PUSH SPDT	S4	
1	031899	WASHER	WW5	

*** MISCELLANEOUS ***

QTY	PART #	DESCRIPTION	REFERENCE	DESIGNATION
1	026325	NAMEPLATE	NP1	(COMBO)
1	011298	NAMEPLATE	NP1	(HEAD)
1	037897	OWNERS MANUAL	OM1	
1	037648	SCHEMATIC DIAGRAM	SD1	
3	018113	SCREW SMA 4x1/2 OHP BLX	SC79-81	(NAMEPLATE)
8	026577	SCREW 10-32x1 PHP BLX	SC81-88	(SPKR COMBO)
4	029905	SCREW 8-32x1-7/8 OHP BLX	SC89-92	(CHASS COMBO)
4	9904101550	SCREW 8-32x1-1/4 OHP BLX	SC89-92	(CHASS HEAD)
1	037653	SERVICE DIAGRAM	DS1	
1	027577	SPEAKER 15" 8 OHM	SPK1	(COMBO)
4	029905	WASHER 8-5/8 FLANGED BLX	WW6-9	
1	037171	WIRE SET	WC3	(COMBO)

REVISIONS				
ZONE	REV.	DESCRIPTION	DATE	APPROVED
	A	RELEASED PR#178	2-8-91	<i>[Signature]</i>



- NOTES—
UNLESS OTHERWISE SPECIFIED:
1. ALL RESISTORS 1/4W, 5%
 2. ALL CAPACITORS 63V MINIMUM
 3. ALL DIODES 1N4448
 4. DC VOLTAGES READ TO GROUND WITH A DVM WITH NO INPUT SIGNAL, NO FOOTSWITCH, CHORUS SELECT "OFF", CHORUS DEPTH SET TO "10", CHORUS RATE SET TO "0", ALL OTHER CONTROLS SET TO 12 O'CLOCK
 5. (CONT.)
1kHz INPUT
4Ω RESISTIVE LOAD
CONNECTED TO J6
NO FOOTSWITCH
CHORUS SELECT "OFF"
DELTA COMP "OFF"
CHORUS DEPTH SET TO "10"
CHORUS RATE SET TO "0"
ALL OTHER CONTROLS SET TO 12 O'CLOCK

DATABASE FILE: M80BSS CHECKED BY: <i>[Signature]</i> DATE: 2-15-91 APPROVED: <i>[Signature]</i> DATE: 2-15-91	PROPRIETARY THIS DRAWING DOCUMENT CONTAINS INFORMATION WHICH IS PROPRIETARY TO AND IS THE PROPERTY OF THE FENDER MUSICAL INSTRUMENTS CO. AND MAY NOT BE USED, REPRODUCED OR DISCLOSED IN ANY MANNER WITHOUT THE EXPRESS WRITTEN CONSENT FROM: FENDER MUSICAL INSTRUMENTS CO. 1198 COLUMBIA STREET BREA, CALIFORNIA 92621 M-80 BASS	FENDER MUSICAL INSTRUMENTS 1198 Columbia Street Brea, Ca. 92621 TITLE: SCHEMATIC DIAGRAM, M-80 BASS AMPLIFIER SIZE: D DRAWN BY: DESI ENGR. B. DESI DRAWING NUMBER: 037647 REV. A CREATED: 31-OCT-90 PLOTTED: 15-FEB-91 SCALE:
--	--	--

SHEET 1 OF 1
0037648000

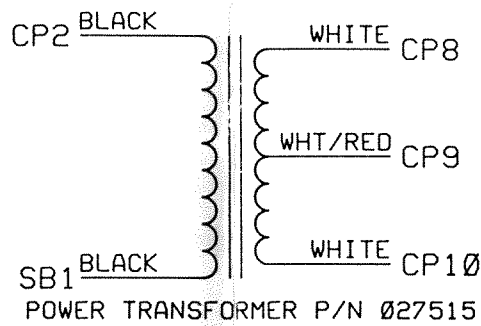
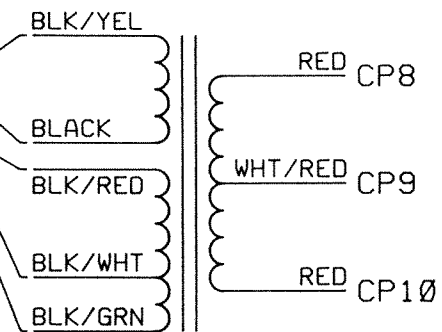
8 7 6 5 4 3 2 1

REVISIONS				
ZONE	REV.	DESCRIPTION	DATE	APPROVED
	A	RELEASED PR#178	2-8-91	<i>B.P.S.</i>

EXPORT MODELS

DOMESTIC MODEL

* 100V	120V	220V	240V
CP2	CP2	CP2	CP2
CP6	CP6	CP6	CP6
CP3	CP3	CP4	CP4
SB1	CP7	SB1	CP7
CP5	CP5	CP7	SB1

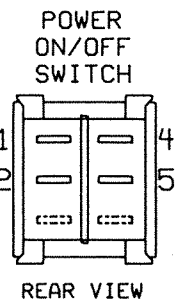
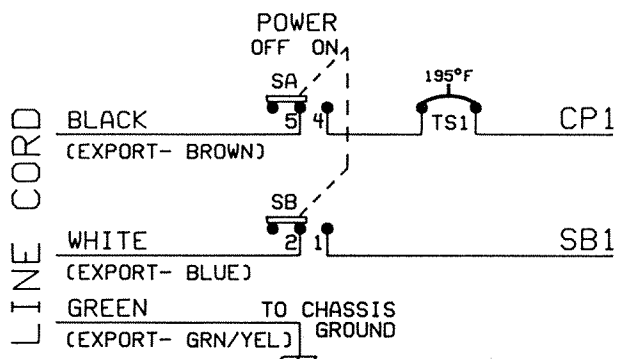
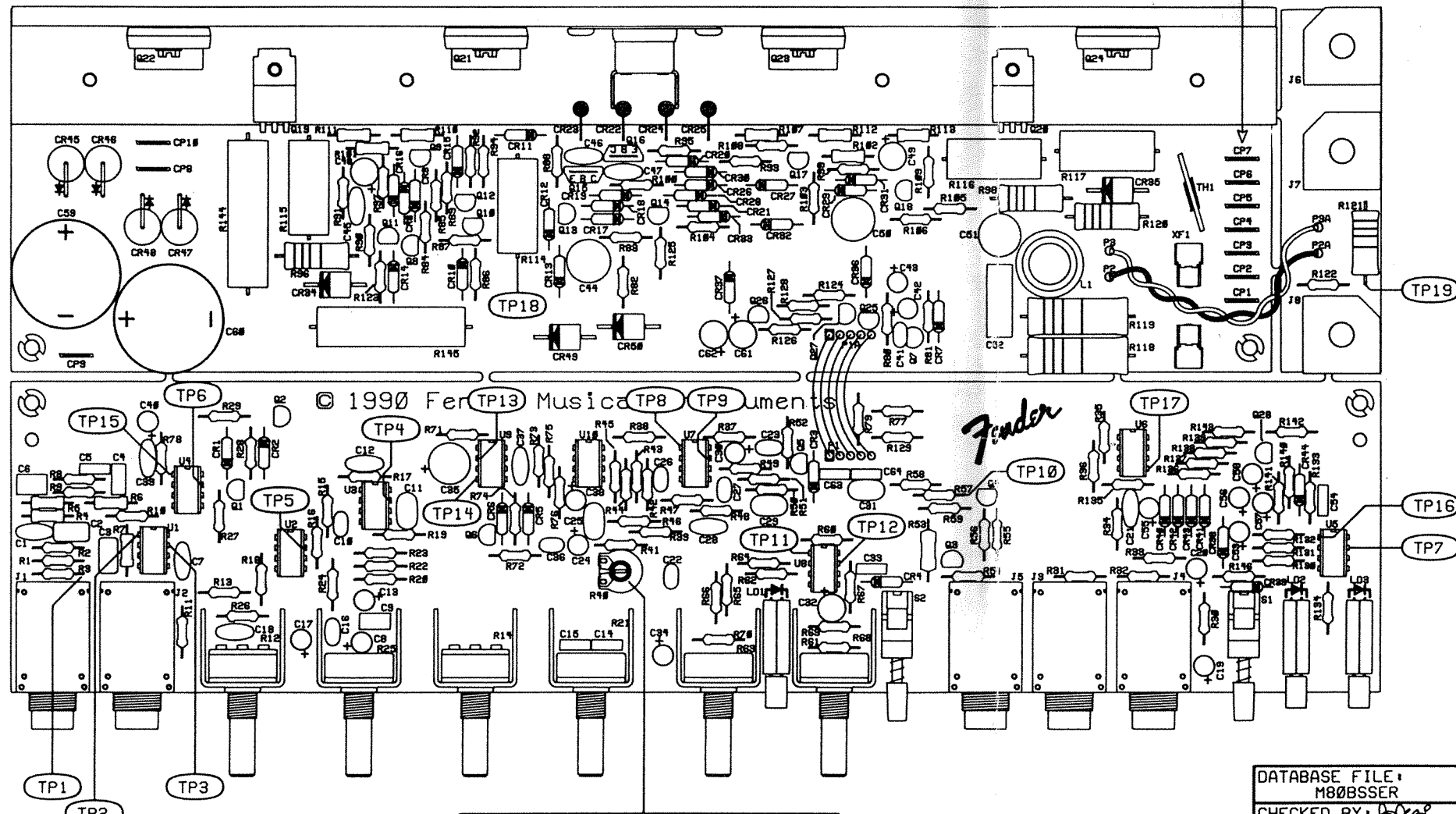


CP1 TO TS1 THERMOSTAT
* 120V-JUMPER CP4 TO SB1

POWER TRANSFORMER P/N 029344

POWER TRANSFORMER P/N 027515

FASTON TABS CP3 THRU CP7
ARE INSTALLED ON
EXPORT UNITS ONLY



CHORUS BIAS ADJUSTMENT:
WITH CHORUS SELECT ON, SET CHORUS RATE AND DEPTH CONTROLS FULLY CLOCKWISE. CONNECT A 1 kHz SINEWAVE AT ABOUT 1.8 VOLTS RMS TO THE EFFECTS LOOP RETURN JACK (J4). ADJUST TRIMPOT R40 FOR SYMMETRICAL CLIPPING AT U7 PIN 7 (TP9).

FILM/DWG:	SERVICE DIAGRAM
DATABASE:	M80BSSER
DATE:	11-FEB-91
LAYERS PLOTTED:	1 2 3 4 10
	15 19

DATABASE FILE: M80BSSER CHECKED BY: <i>B.P.S.</i> DATE: 2-13-91 APPROVED: <i>B.P.S.</i> DATE: 2-13-91	PROPRIETARY THIS DRAWING DOCUMENT CONTAINS INFORMATION WHICH IS PROPRIETARY TO AND IS THE PROPERTY OF FENDER MUSICAL INSTRUMENTS CO. AND MAY NOT BE USED, REPRODUCED OR DISCLOSED IN ANY MANNER WITHOUT THE EXPRESSED WRITTEN CONSENT FROM: FENDER MUSICAL INSTRUMENTS CO. 1130 COLUMBIA ST. BREA, CALIFORNIA 92621 ROCK ON.	Fender MUSICAL INSTRUMENTS 1130 Columbia Street Brea, Ca. 92621 TITLE: SERVICE DIAGRAM, M-80 BASS AMPLIFIER SIZE: DRAWN: B. DESI ENGR: B. DESI DRAWING NUMBER: 037653 REV.: A CREATED: 17-JAN-91 PLOTTED: 11-FEB-91
TOLERANCES: UNLESS OTHERWISE NOTED X.X ±0.050" X.XX ±0.010" X.XXX ±0.005" ANGLES ±0.500°	NEXT HIGHER ASSEMBLY: M-80 BASS	SCALE: SHEET 1 OF 1