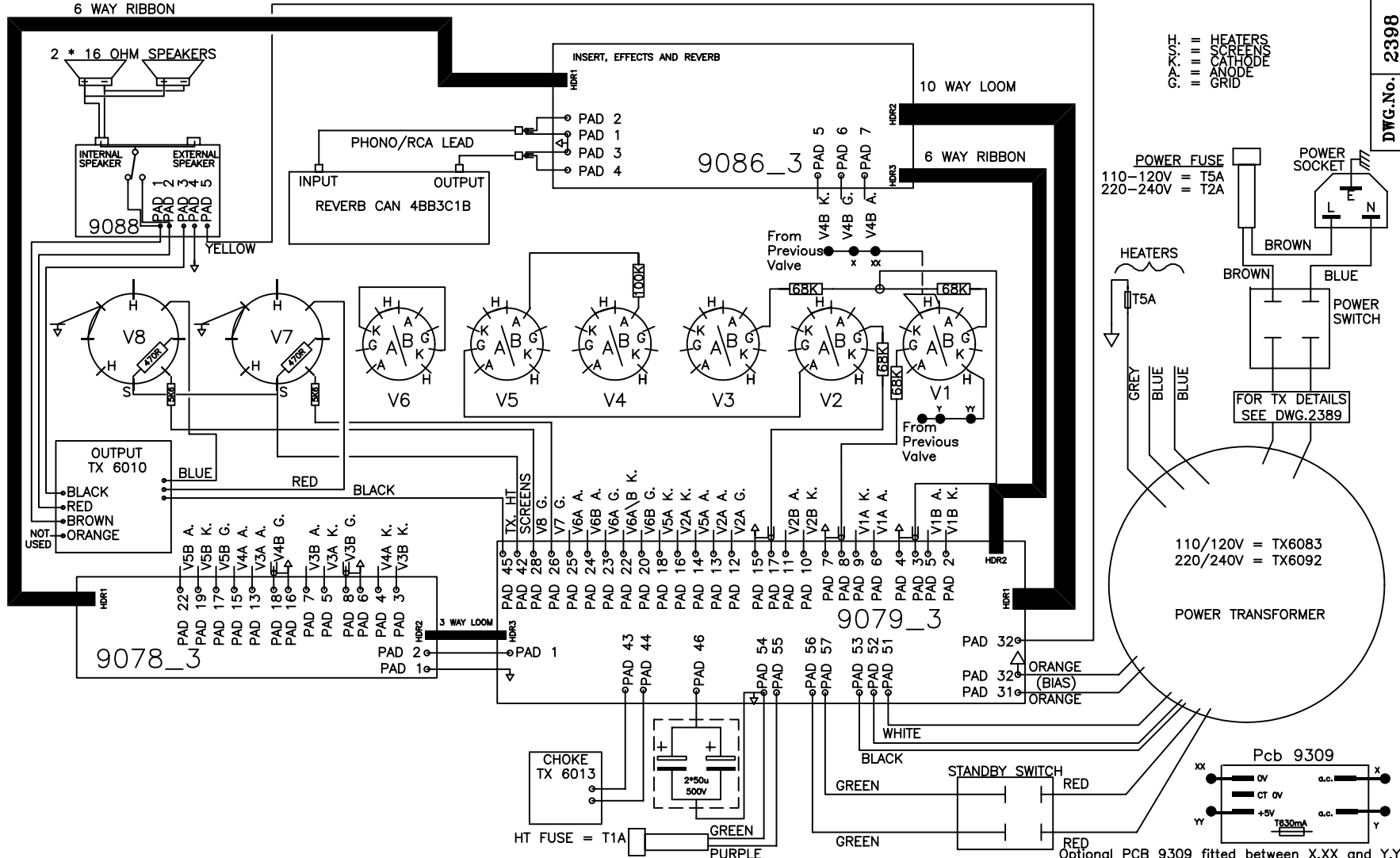
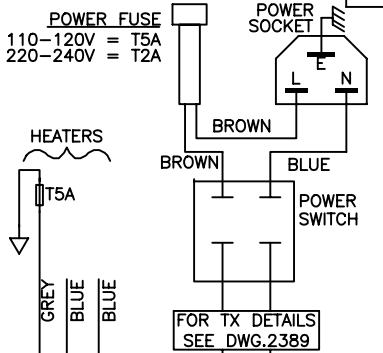


Laney

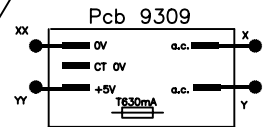
Service Diagrams



H = HEATERS
 S = SCREENS
 C = CATHODE
 A = ANODE
 G = GRID



110/120V = TX6083
 220/240V = TX6092
 POWER TRANSFORMER



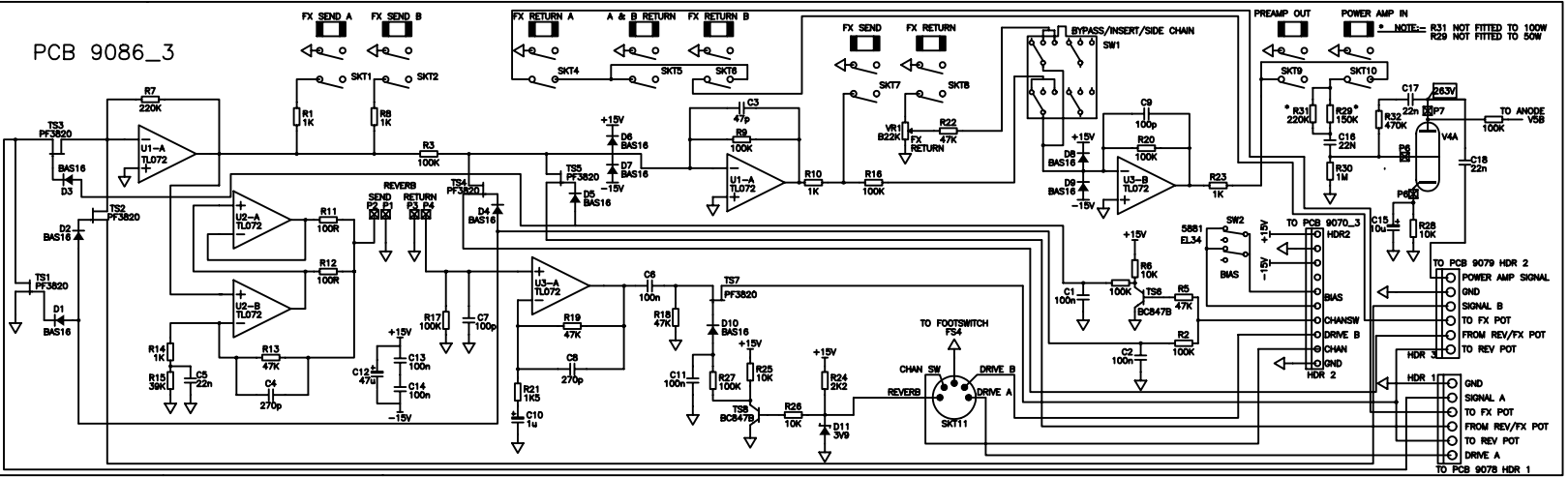
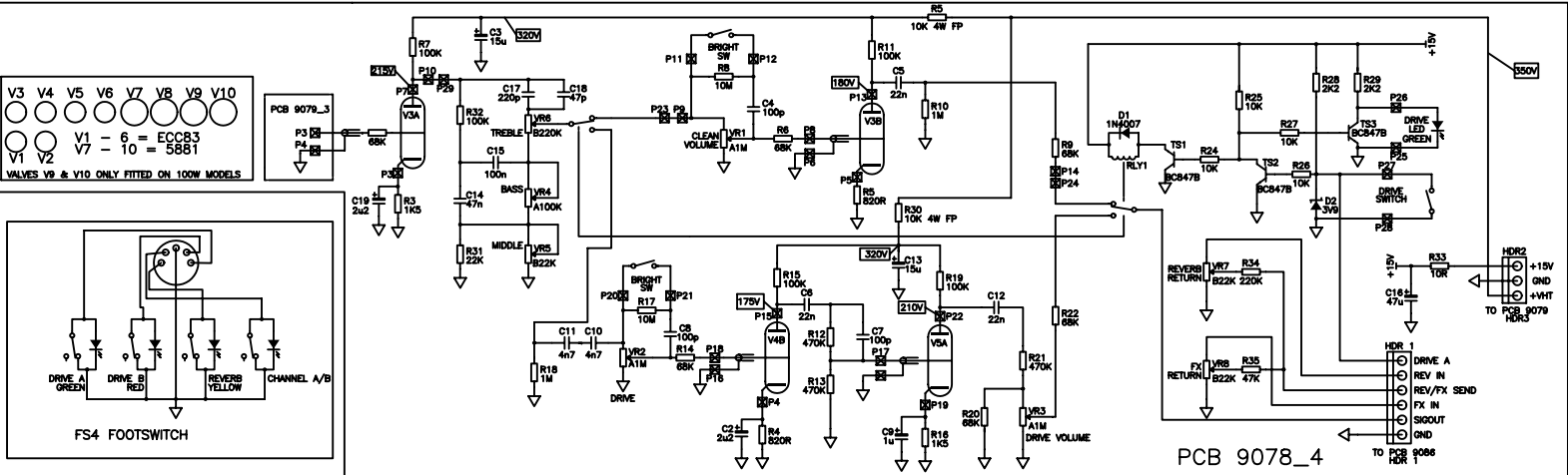
Optional PCB 9309 fitted between X,XX and Y,YY

ISSUE	DESCRIPTION	APPD.	DATE
2	Option added for regulated +5V Supply	R.J.F	8/10/98
	6084 changed to 6092 (230V primary)		
	Fuse added in CT ground of heaters		

LANEY

**VC50 SCHEMATIC
 DIAGRAM**
 PART No

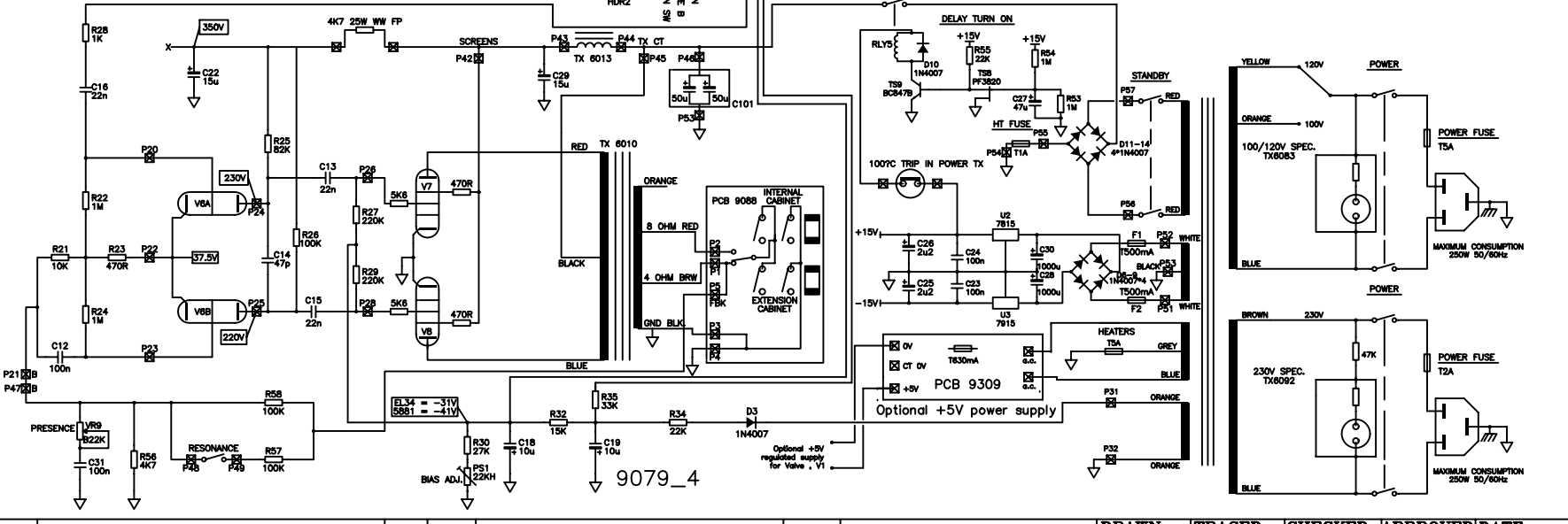
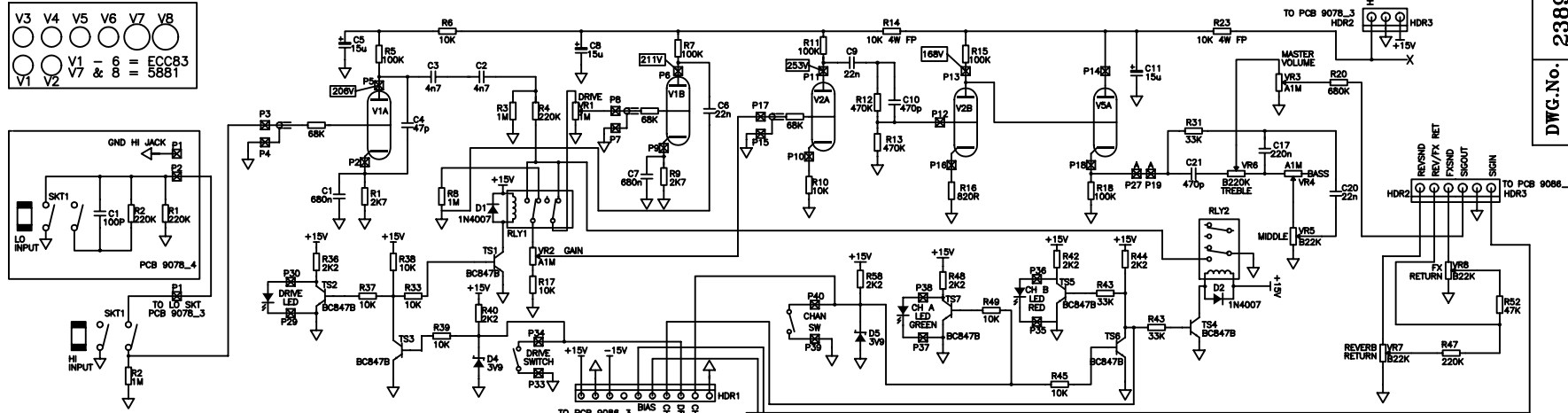
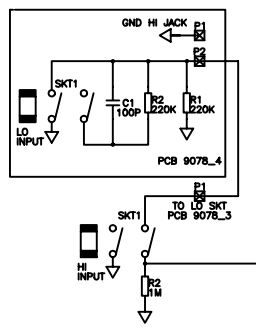
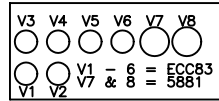
DRAWN	TRACED	CHECKED	APPROVED	DATE
S.L.				01/06/95
DRAWING No.		2398		



ISSUE	DESCRIPTION	APPD.	DATE	TITLE	DRAWN	TRACED	CHECKED	APPROVED	DATE
4	CHANGE R5 & 30 FROM 10K 1W TO 10K 4W FP	S.L.	14/5/05	VC50/VC100/VH100R CLEAN & FX CIRCUIT	S.L.				14/5/95
DRAWING No.								2386	

LANEY

VC50/VC100/VH100R
CLEAN & FX CIRCUIT
PART No



ISSUE	DESCRIPTION	APPD.	DATE
4	CHANGE R46 & 51 FROM 2 OFF 10K 1W TO 1 OFF 4K7 25W FIRE PROOF CHANGE R14 & 23 FROM 10K 1W TO 10K 4W WIRE WOUND ADD 100°C TRIP TO POWER TX ADD F1 & F2 AS 1500mA ADD 2-PHASED MOUNT FUSE CARRIERS WITH TSA TO HEATER WINDINGS CHANGE TX FROM 6084 TO 6092 230V POWER TX	S.L.	14/9/95
2	Option added for regulated +5V Supply	R.J.F	8/10/98

LANEY

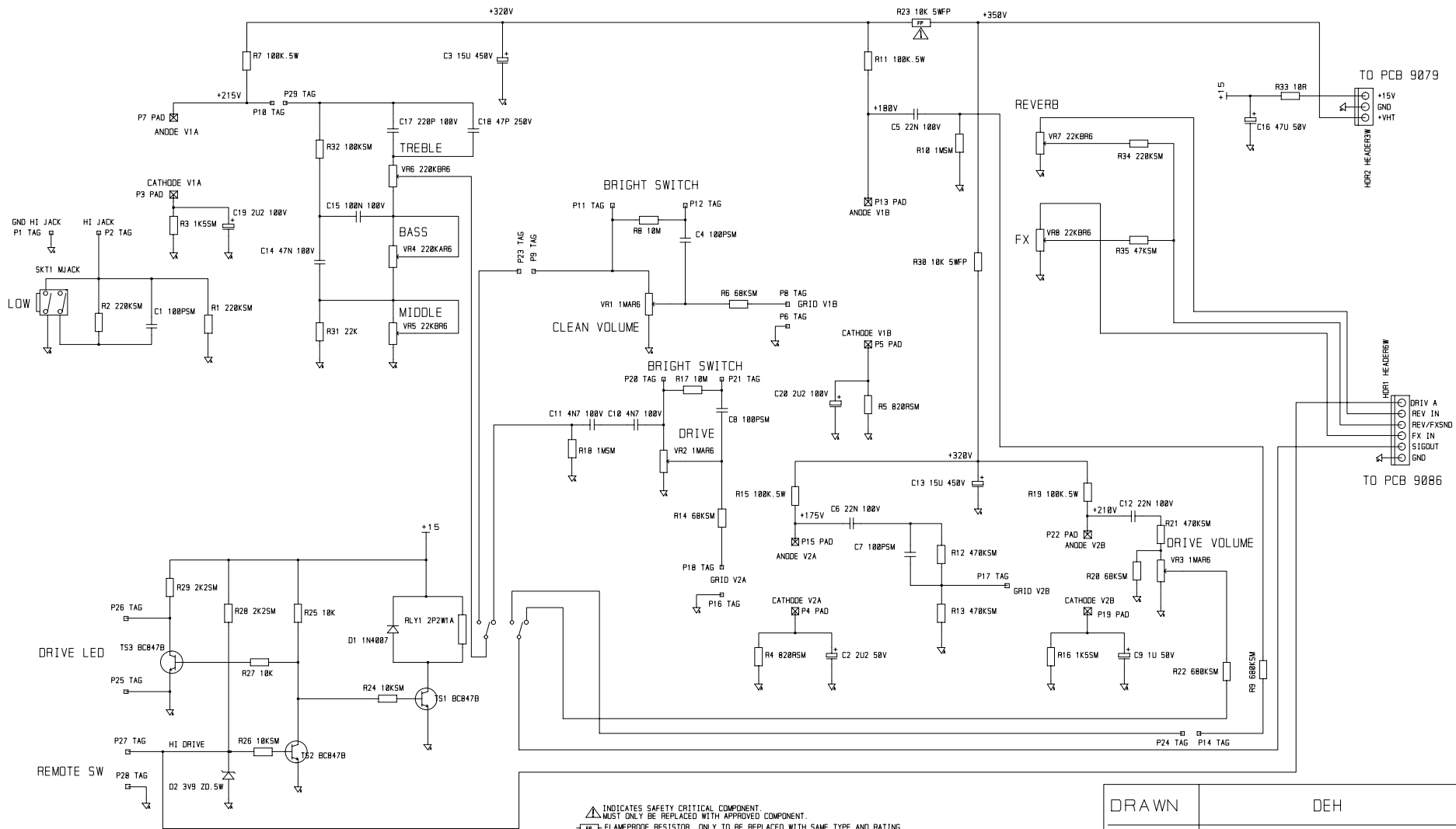
VC50 OVERDRIVE &
OUTPUT DIAGRAM

PART No

DRAWN	TRACED	CHECKED	APPROVED	DATE
S.L.				27/4/95

DRAWING No.

2389



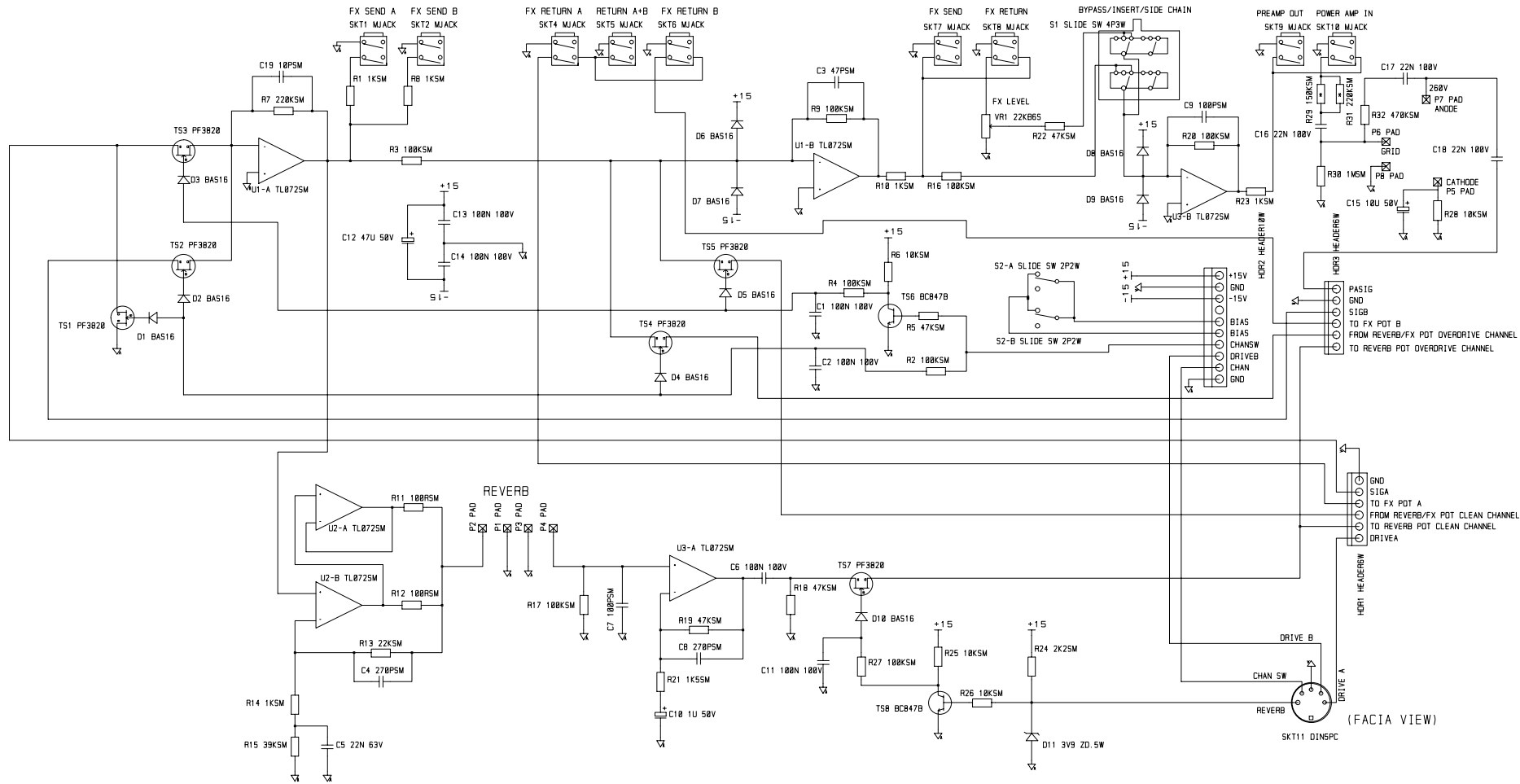
▲ INDICATES SAFETY CRITICAL COMPONENT.
 MUST ONLY BE REPLACED WITH APPROVED COMPONENT.
 [RFP] FLAMEPROOF RESISTOR. ONLY TO BE REPLACED WITH SAME TYPE AND RATING.

DRAWN	DEH
DATE	25/07/95
TITLE	4 CHANNEL VALVE AMP CLEAN CHANNEL
DRW. NO.	9078_4

ISSUE	C19/20 2U2 ADDED 26/07/95 R23/30 10K 1W CF TO 5W WW FP 26/07/95
-------	--

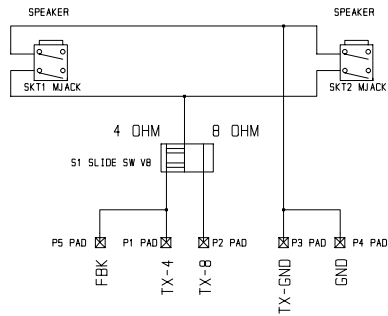
TYPE	
------	--

* Note R50 not fitted on 50W models
R51 not fitted on 100W models



DRAWN	DEH
DATE	25/07/95
TITLE	4 CHANNEL VALVE AMP FX MODULE
DRW. NO.	9086_4

ISSUE	C19 ADDED 19/04/95 R13 47K TO 22K 19/04/95
TYPE	



DRAWN	DEH
DATE	14/03/95
TITLE	VC50 SPEAKER JACK PCB
DRW. NO.	9088

ISSUE							
TYPE							

