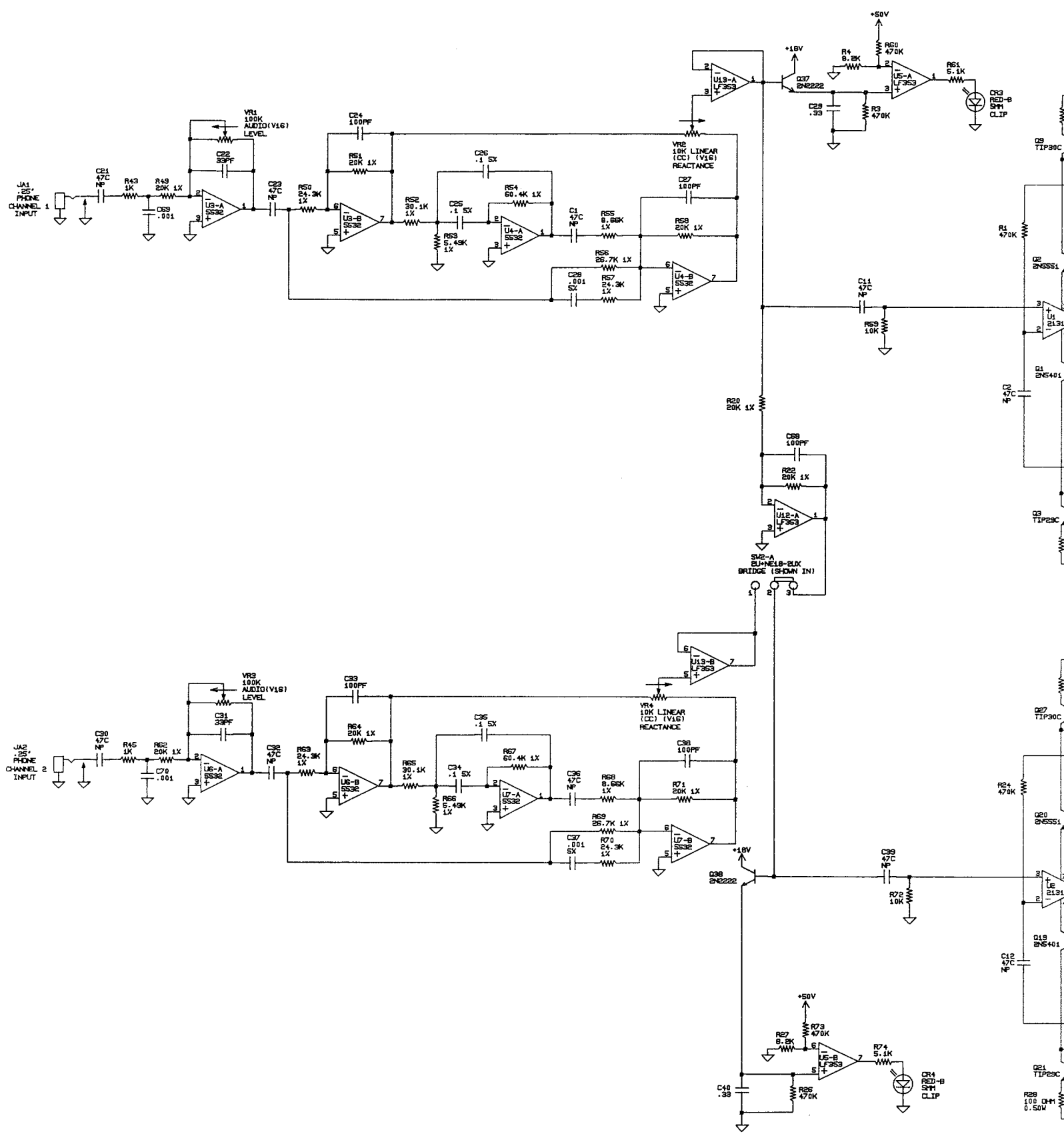


NOTES: UNLESS OTHERWISE SPECIFIED
 1. ALL RESISTORS ARE IN OHMS 1/4W. 5%
 2. ALL CAPACITORS ARE IN MICROFARADS
 3. COMPUTER CODE (0710140D)

CAPACITOR VOLTAGE CHART	
AA	5.5V
A	6.3V
B	10V
C	16V
D	25V
E	35V
F	50V

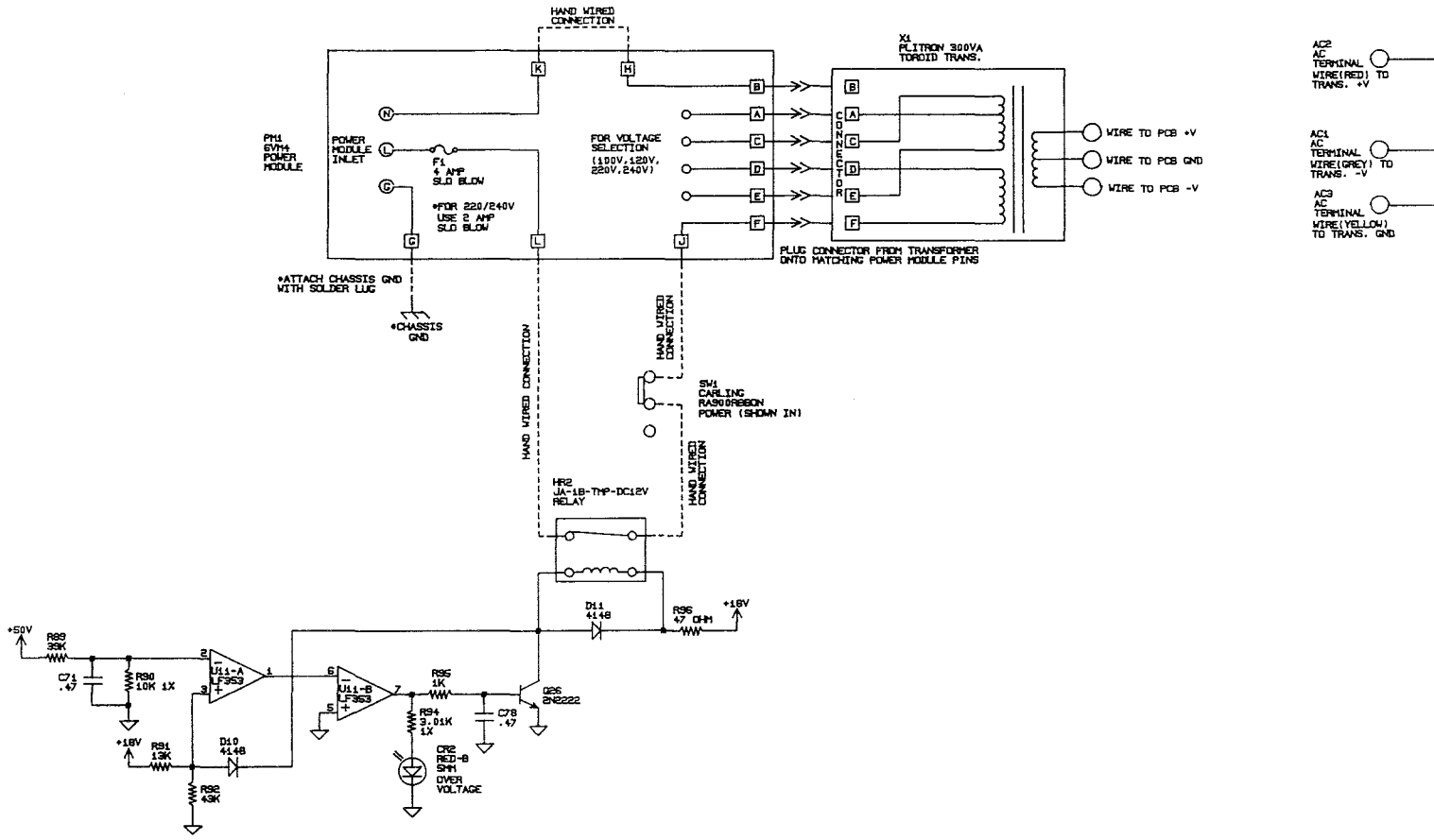
ROCKTRON CORPORATION

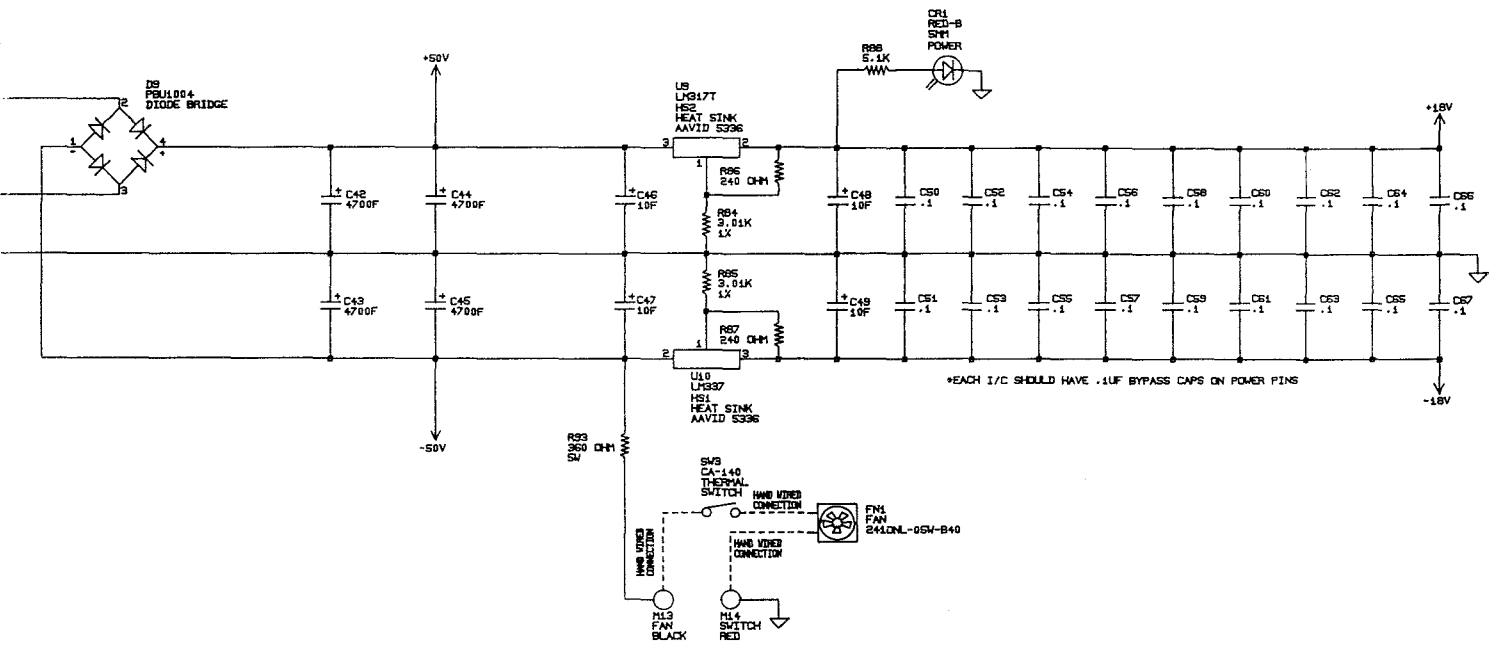
DRAWN: AC	DATE: 06/21/91	SCALE:
CHECK:	CHECK:	REVISED: 8/23/94
ENGR: J. J.	NO INFORMATION GIVEN HEREIN MAY BE DISCLOSED TO OTHERS WITHOUT PERMISSION FROM ROCKTRON CORPORATION.	
APPR: J. J.	APPROVED: 8-7-94	
VELOCITY 300 POWER AMP		DRAWING NUMBER: 071-0140D
		SHEET 1 OF 2



REVISION	#	DATE	APPR.
R96 WAS 150 OHM; NOW IS 47 OHM	A	11/05/91	J.W.
Q17, Q35 WERE TIP36C; NOW ARE 2SA1302	B	1/16/92	J.W.
Q19, Q31 WERE TIP36C; NOW ARE 2SC3884	C	08/13/92	J.W.
F2, F3, F4 WERE 4 AMP FAST BLOW FUSES; NOW ARE 5 AMP FAST BLOW FUSES	D	8/23/94	J.W.
Q24, Q212- D9 WAS DIODE BRIDGE PBU1003; NOW IS PBU1004			

J.W.





*EACH I/C SHOULD HAVE .1UF BYPASS CAPS ON POWER PINS

NOT USED:
C17, 19
R2, 25

LAST USED	
R	96
C	78
D	43
U	30
HR	13
FM	1
X	1
F	5
VR	4
CR	4
SW	3

CAPACITOR VOLTAGE CHART	
AA	5.5V
A	6.3V
B	10V
C	16V
D	25V
E	35V

- NOTES: UNLESS OTHERWISE SPECIFIED
 1. ALL RESISTORS ARE IN OHMS 1/4W. 5%
 2. ALL CAPACITORS ARE IN MICROFARADS
 3. COMPUTER CODE (A710140D)

ROCKTRON CORPORATION		
DRAWN: AC	DATE: 07/18/91	SCALE:
CHECK:	CHECK:	REVISED: 8/23/94
ENGR:	NO INFORMATION GIVEN HEREIN MAY BE DISCLOSED TO OTHERS WITHOUT PERMISSION FROM ROCKTRON CORPORATION	
APPR:	DRAWING NUMBER: 071-0140D SHEET 2 OF 2	
VELOCITY 300 POWER AMP (POWER SUPPLY)		