

DWG.No. AVT150-61-02

SAFETY CRITICAL COMPONENTS
COMPONENTS MUST BE REPLACED
WITH THE SAME TYPE AND
RATING ONLY.

TRANSFORMER MAINS
TYPE D2717 = 230V
TYPE D2782 = 117V
TYPE D2783 = 105V

MAINS SWITCH
PART NO
240V A4.1831G00000
120V A4.1831G00000

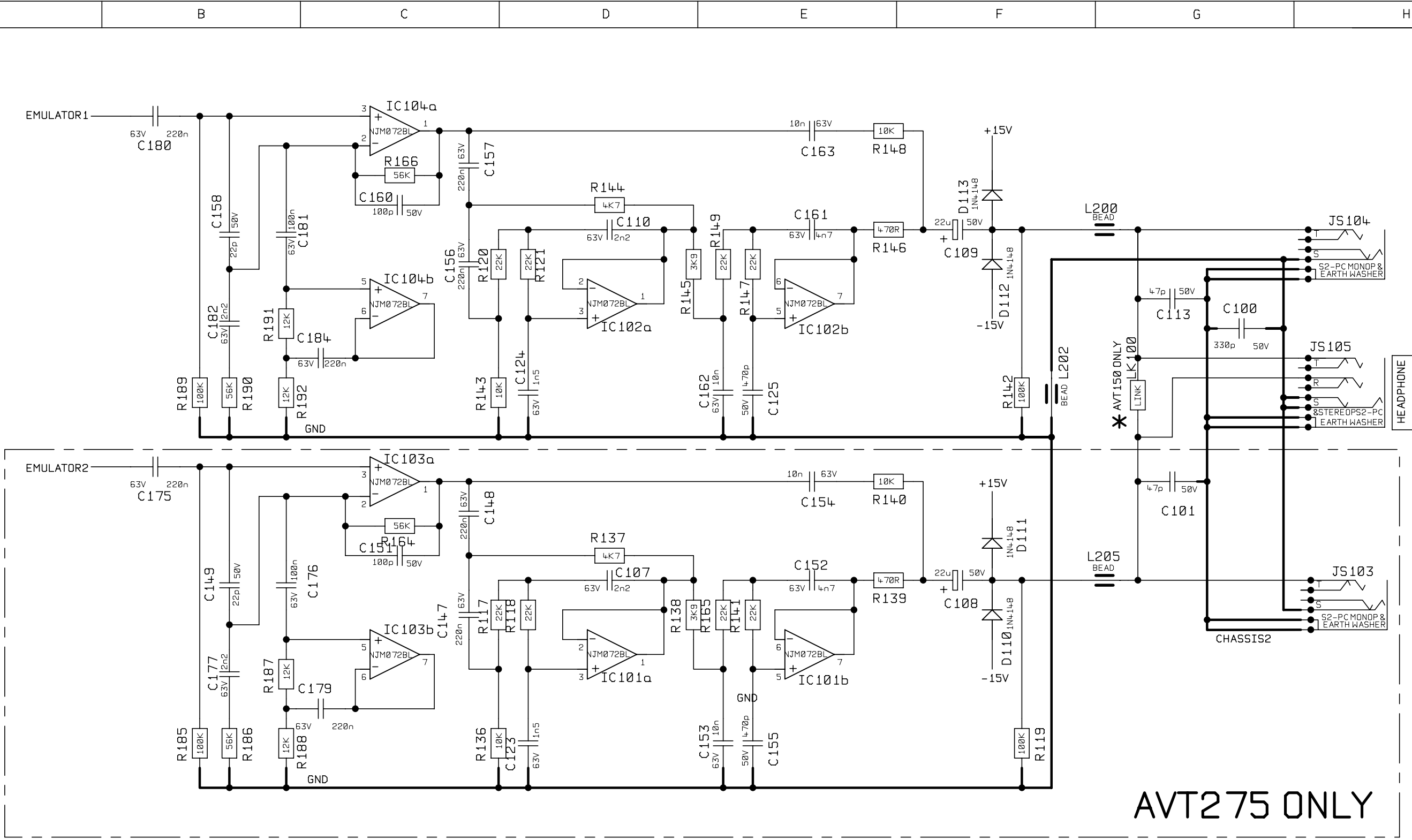
T2A L = 230V
T4A L = 120V

MAINS
INPUT
FILTER

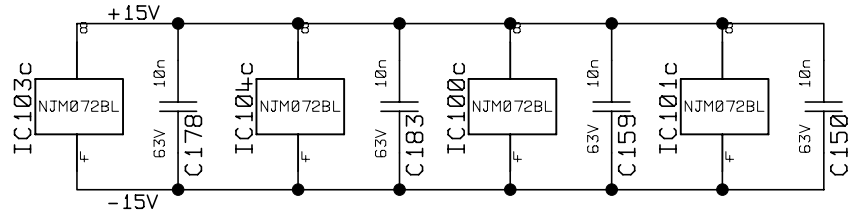
PART
NUMBER
06SS1

		ALL OTHER HOLES =		X = (THROUGH PLATED)		MATERIAL		DIMENSIONS IN		<p>MARSHALL AMPLIFICATION PLC DENBIGH ROAD, BLETCHLEY, MILTON KEYNES, MK1 1DG. TEL (01908) 375411 FAX (01908) 375118</p>	TITLE BACK PCB CIRCUIT	
3	1936	23-10-2000	A	E	J	N	MATERIAL THICKNESS	TOLERANCE (UNLESS OTHERWISE STATED)			SHT 1 OF 4	
2	1918	19-9-2000	B	F	K	P	DRAWN A.G.	DATE 15-8-00	MODEL AVT150/AVT150H AVT275		ISS	
ISS	ECO NUMBER	DATE	C	G	L	Q	CHECKED	DATE			3	
			D	H	M	R	APPROVED	DATE				

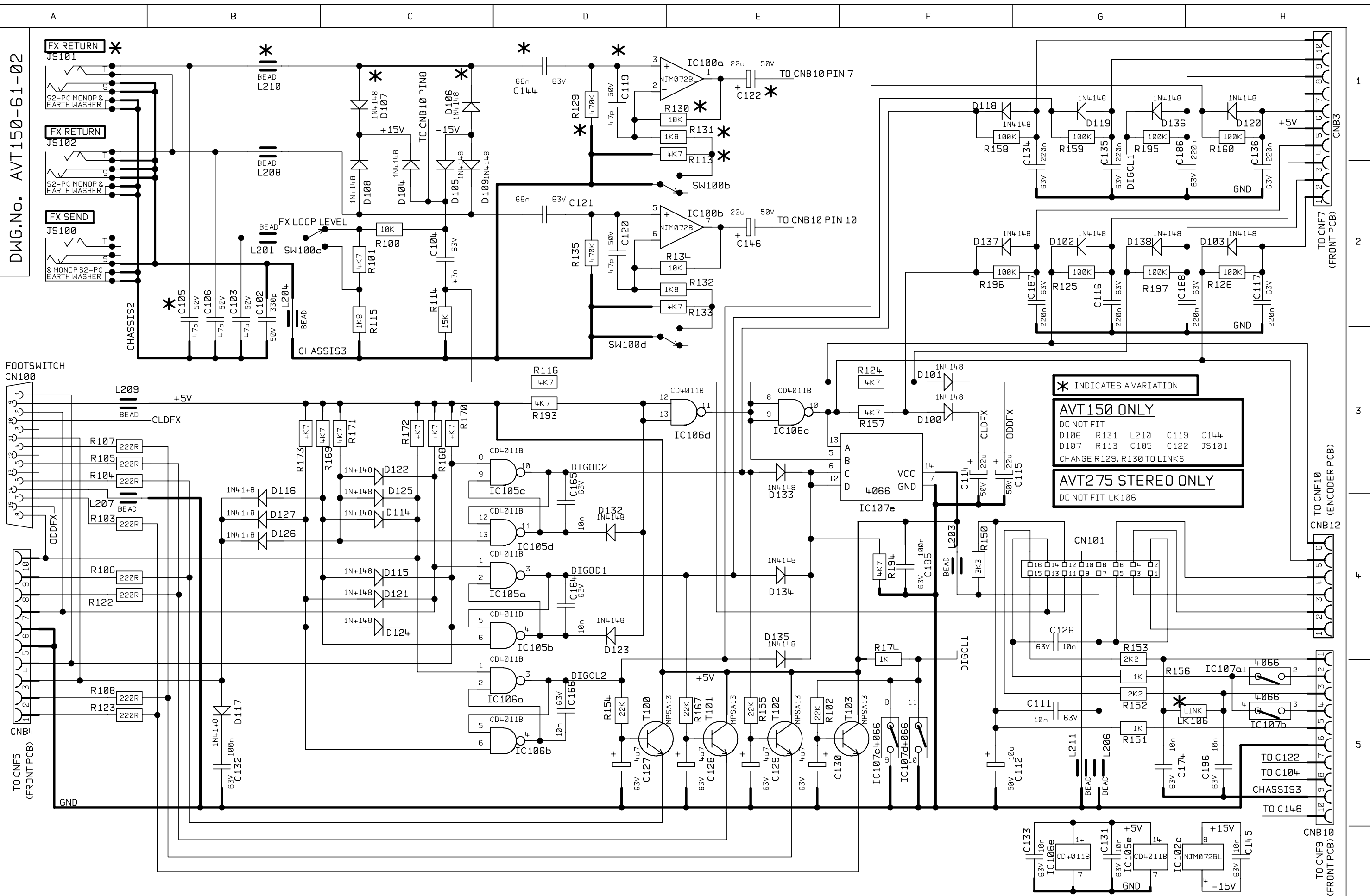
DWG.No. AVT150-61-02



AVT275 ONLY



3		1936		23-10-2000		A		E		J		N		MATERIAL		DIMENSIONS IN		<p>MARSHALL AMPLIFICATION PLC DENBIGH ROAD, BLETCHLEY, MILTON KEYNES, MK1 1DQ. TEL: (01908) 375411 FAX: (01908) 376118</p>		TITLE		SHT 2 OF 4	
2		1918		19-9-2000		B		F		K		P		MATERIAL THICKNESS		TOLERANCE (UNLESS OTHERWISE STATED)				BACK PCB CIRCUIT		ISS	
ISS		ECO NUMBER		DATE		C		G		L		Q		DRAWN		DATE				AVT150-61-02		3	
						D		H		M		R		CHECKED		DATE				AVT275			



*** INDICATES A VARIATION**

AVT150 ONLY
 DO NOT FIT
 D106 R131 L210 C119 C144
 D107 R113 C105 C122 JS101
 CHANGE R129, R130 TO LINKS

AVT275 STEREO ONLY
 DO NOT FIT LK106

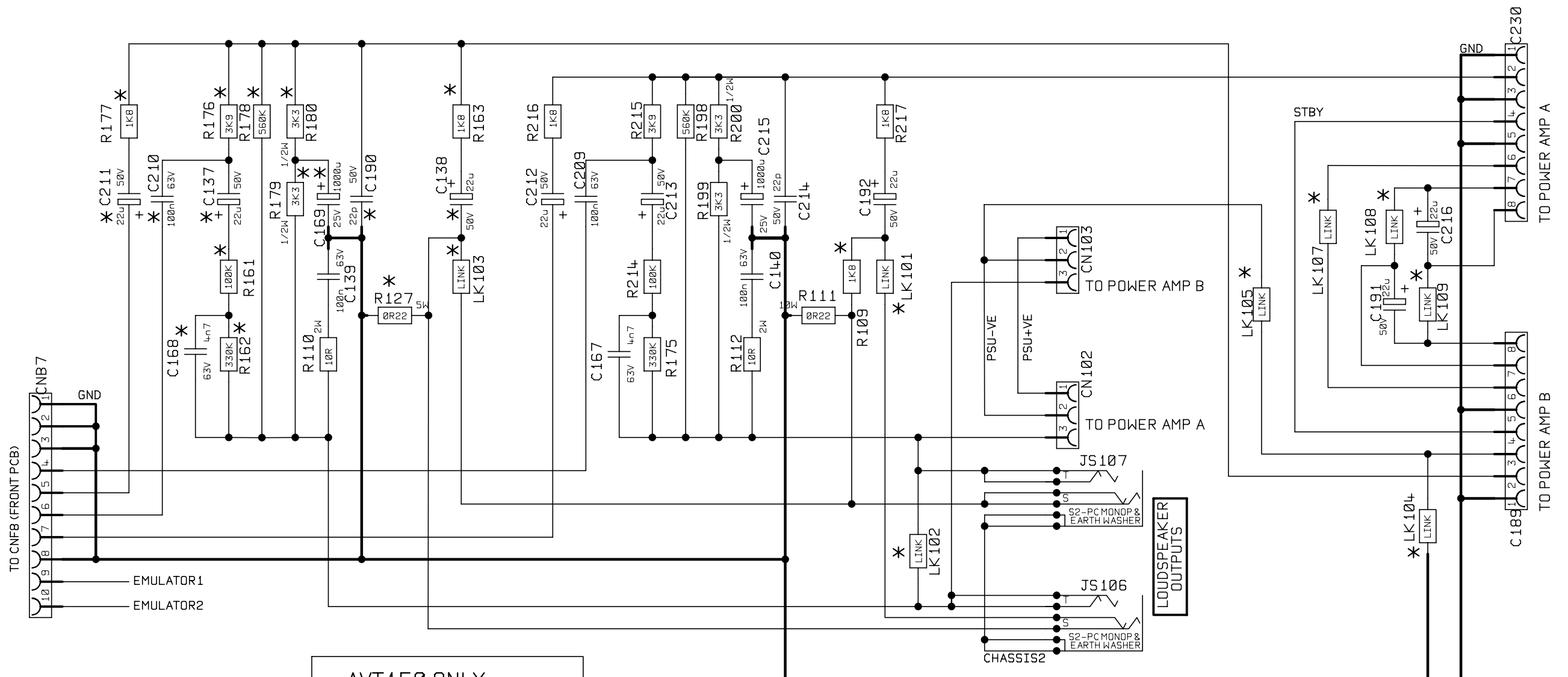
		ALL OTHER HOLES =				X = (THROUGH PLATED)			
3	1936	23-10-2000	A	E	J	N			
2	1918	19-9-2000	B	F	K	P			
ISS	ECO NUMBER	DATE	C	G	L	Q			
			D	H	M	R			

MATERIAL		DIMENSIONS IN	
MATERIAL THICKNESS		TOLERANCE (UNLESS OTHERWISE STATED)	
DRAWN A.G.	DATE 9-8-2000		
CHECKED	DATE	MODEL AVT150/AVT150H	
APPROVED	DATE	AVT275	



TITLE		SHT 3 OF 4	
BACK PCB CIRCUIT			
DWG.No	ISS		
AVT150-61-02	3		

DWG.No. AVT150-61-02



* INDICATES A VARIATION

AVT275 STEREO ONLY

DO NOT FIT
LK101, LK102, LK103, LK105
LK107, LK108, LK109

MUST FIT
LK104

CHANGE
R109 TO LINK

AVT150 ONLY

DO NOT FIT
C137 R127 (5WATT)
C138 R161
C168 R162
C169 R163
C190 R176
C210 R177
C211 R178
R179
R180
LK104

MUST FIT :-
LK101, LK102, LK103, LK105
LK107, LK108, LK109

3	1936	23-10-2000	A	F	J	N
2	1918	19-9-2000	B	G	K	P
ISS	ECO NUMBER	DATE	C	H	L	Q
			D		M	R

MATERIAL		DIMENSIONS IN	
MATERIAL THICKNESS		TOLERANCE (UNLESS OTHERWISE STATED)	
DRAWN A.G.	DATE 17-8-00	MODEL AVT150/AVT150H	
CHECKED	DATE	AVT275	
APPROVED	DATE		



TITLE	BACK PCB CIRCUIT	SHT 4 OF 4
DWG.No	AVT150-61-02	ISS 3