

DWG.No. MF350-61-02

SAFETY CRITICAL COMPONENTS
COMPONENTS MUST BE REPLACED
WITH THE SAME TYPE AND
RATING ONLY.

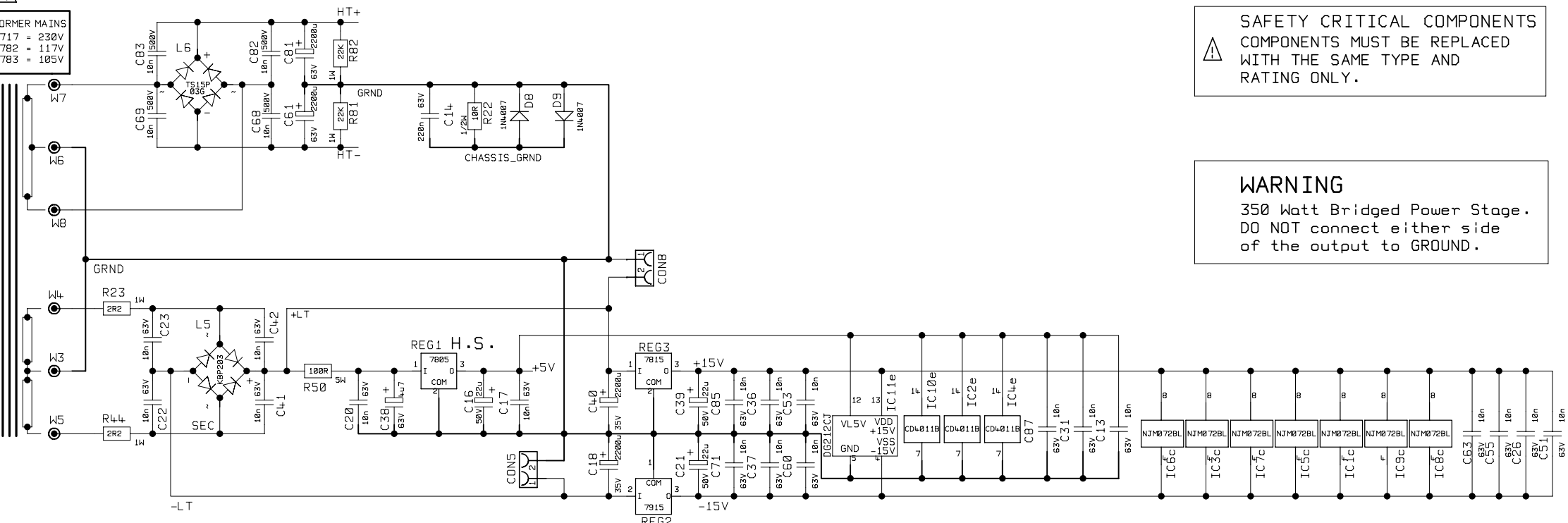
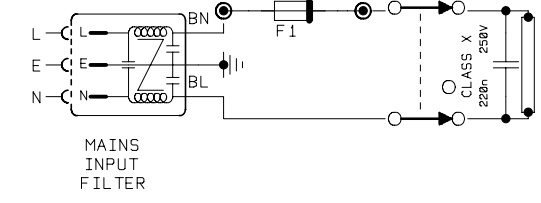
WARNING
350 Watt Bridged Power Stage.
DO NOT connect either side
of the output to GROUND.

TRANSFORMER MAINS
TYPE D2717 = 230V
TYPE D2782 = 117V
TYPE D2783 = 105V

MAINS SWITCH
PART NO
240V = C1353VQNAQ
120V = C1353VQNAQ

PART NUMBER
06SS1

T4A L = 230V
T8A L = 120V

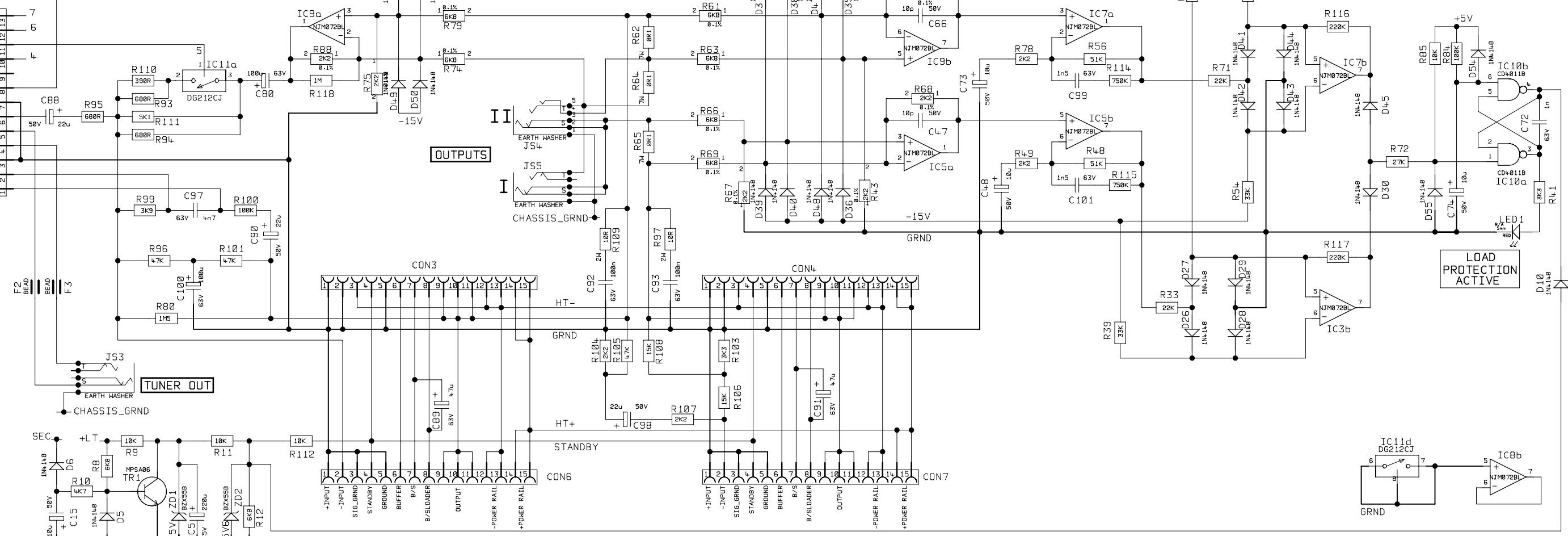


TO LINE_OUT (MF350-61-02. SHT 2 of 2)
LINE_OUT

TO CNF_R3 (MF350-60-02. SHT 2 of 2)
CNF_R3

OUTPUTS

LOAD PROTECTION ACTIVE



DRAWN	DATE		
L.VEIGNAL	11-10-02		
MODEL			
MF350			
ISS	ECO NUMBER	DATE	
3	2277	5-12-02	
2	2214	13-11-02	

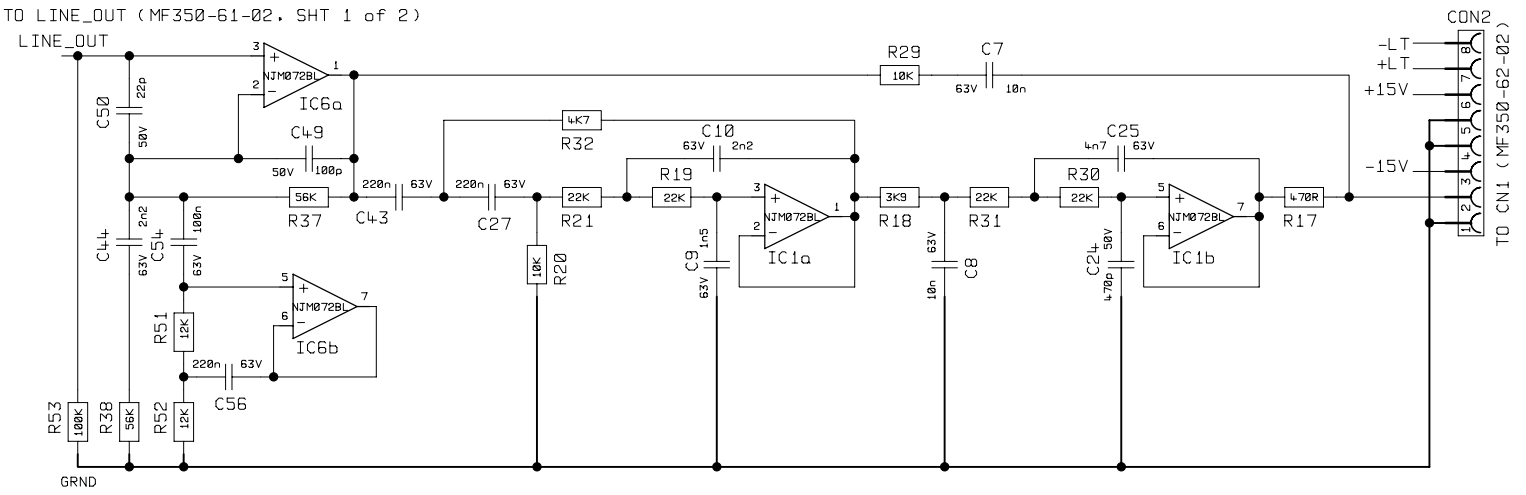
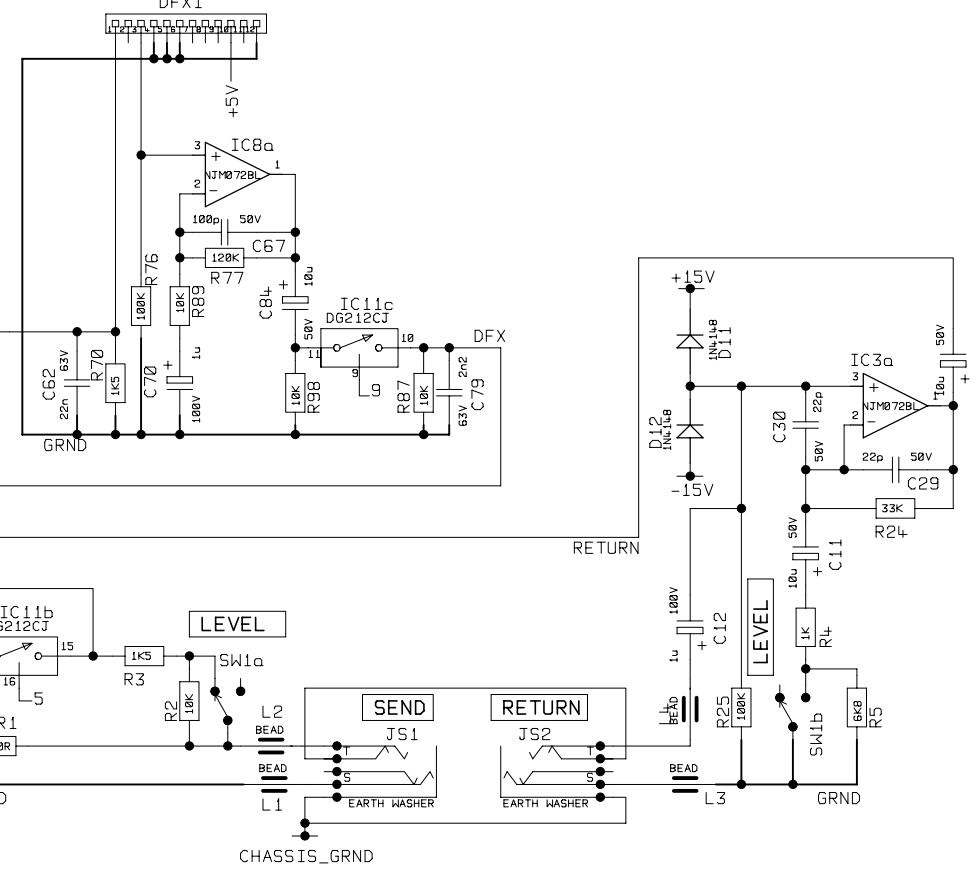
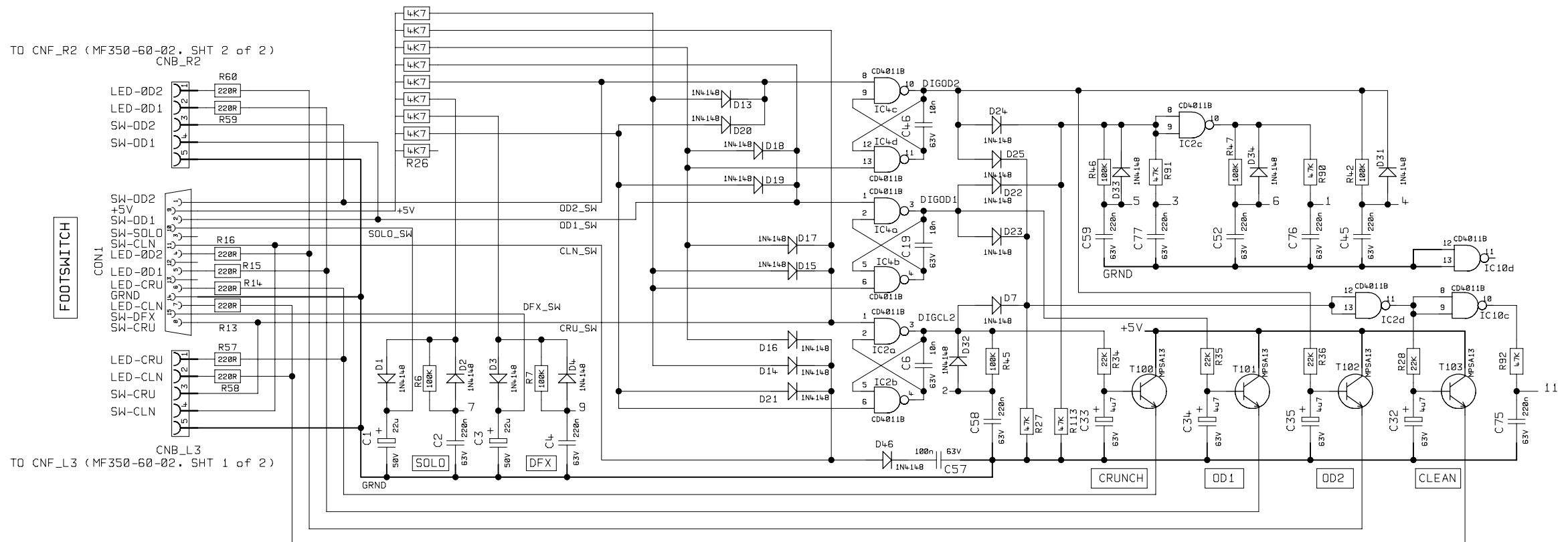
Marshall
 © MARSHALL AMPLIFICATION PLC
 DENBIGH ROAD, BLETCHLEY, MILTON KEYNES, MK1 1DQ.
 TEL (01908) 375411 FAX (01908) 376118

TITLE	SHT 1 OF 2
POWER AMP CIRCUIT	
DWG.No	MF350-61-02
ISS	3

DWG.No. MF350-61-02

TO CNF_L4 (MF350-60-02. SHT 1 of 2)

TO CNF_R4 (MF350-60-02. SHT 2 of 2)



DRAWN L.VEIGNAL MODEL MF350 ISS	DATE 11-10-02 ISS ECO NUMBER DATE	DATE 5-12-02 13-11-02 DATE	<p>© MARSHALL AMPLIFICATION PLC DENBIGH ROAD, BLETCHLEY, MILTON KEYNES, MK1 1DQ. TEL (01908) 375411 FAX (01908) 376118</p>	TITLE POWER AMP CIRCUIT DWG.No MF350-61-02 ISS 3
---	---	-------------------------------------	--	---