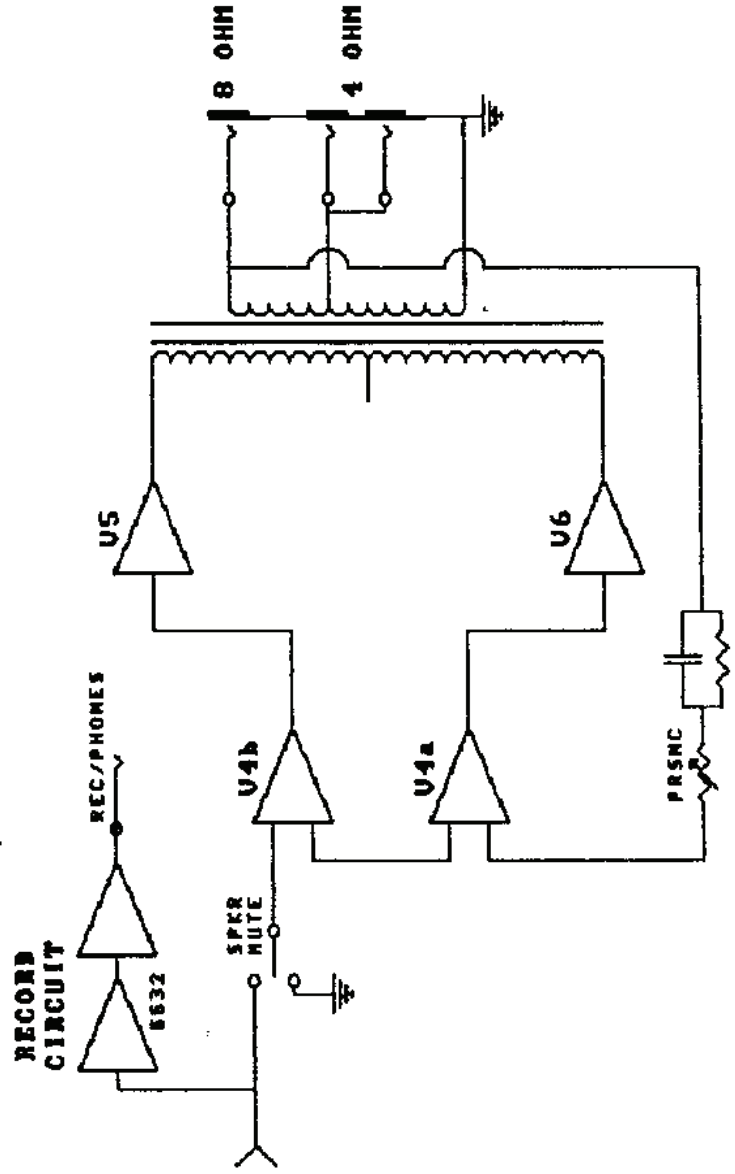
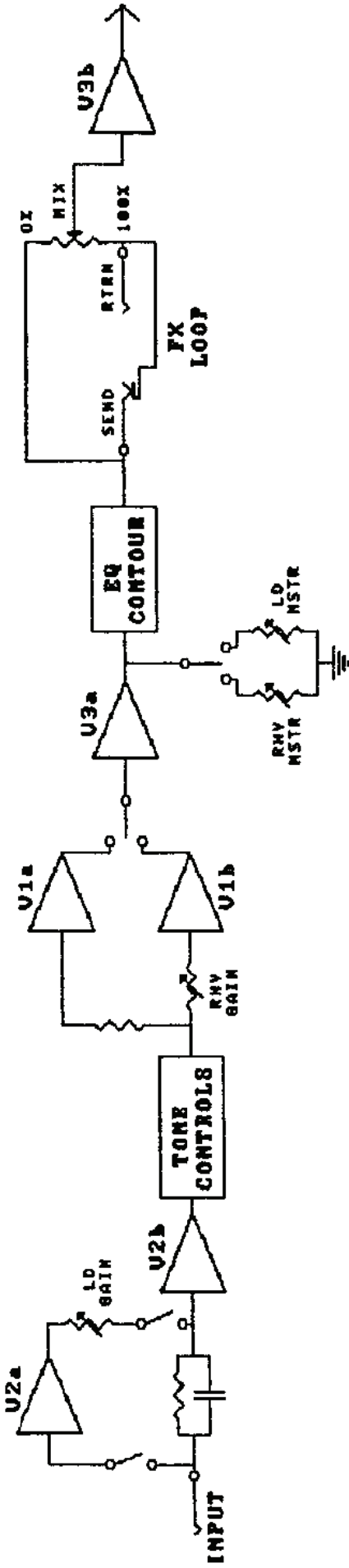


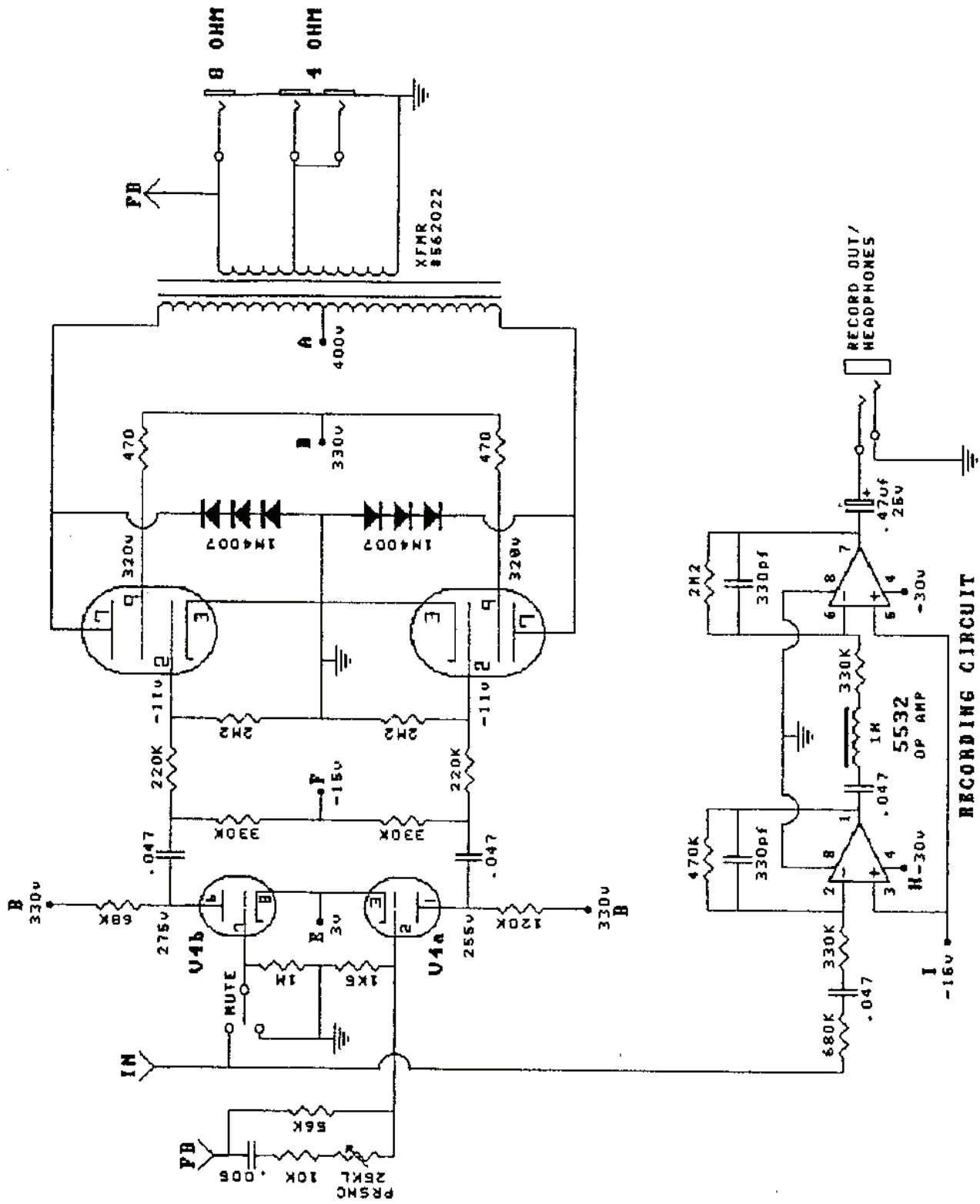
**MESA-BOOGIE
SUBWAY ROCKET
BLOCK DIAGRAM
FILE SUBROBK.501**



U1 - U4 12AX7
U5 - U6 6L84

**MESA-BOOGIE
SUBWAY ROCKET
POWER AMP
RECORD OUT**

FILE SRPUR.581

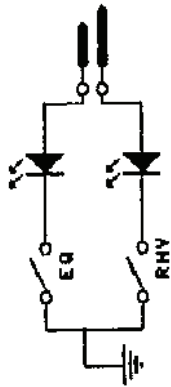


MESA-BOOGIE SUBWAY ROCKET

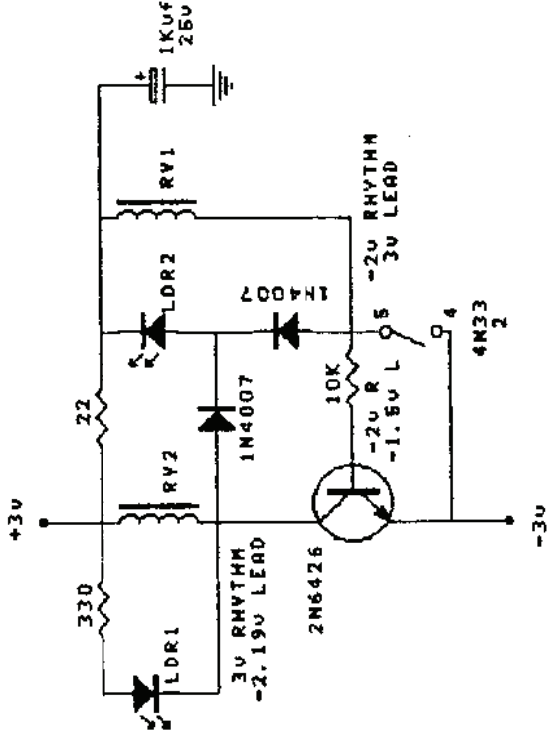
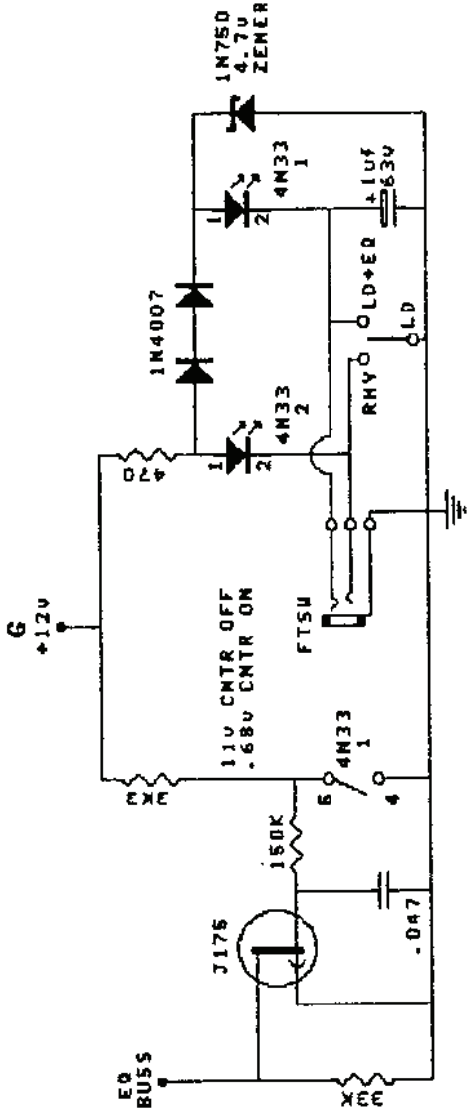
SWITCHING MATRIX

FILE SUBRSU.SBI

6/5



FOOTSWITCH

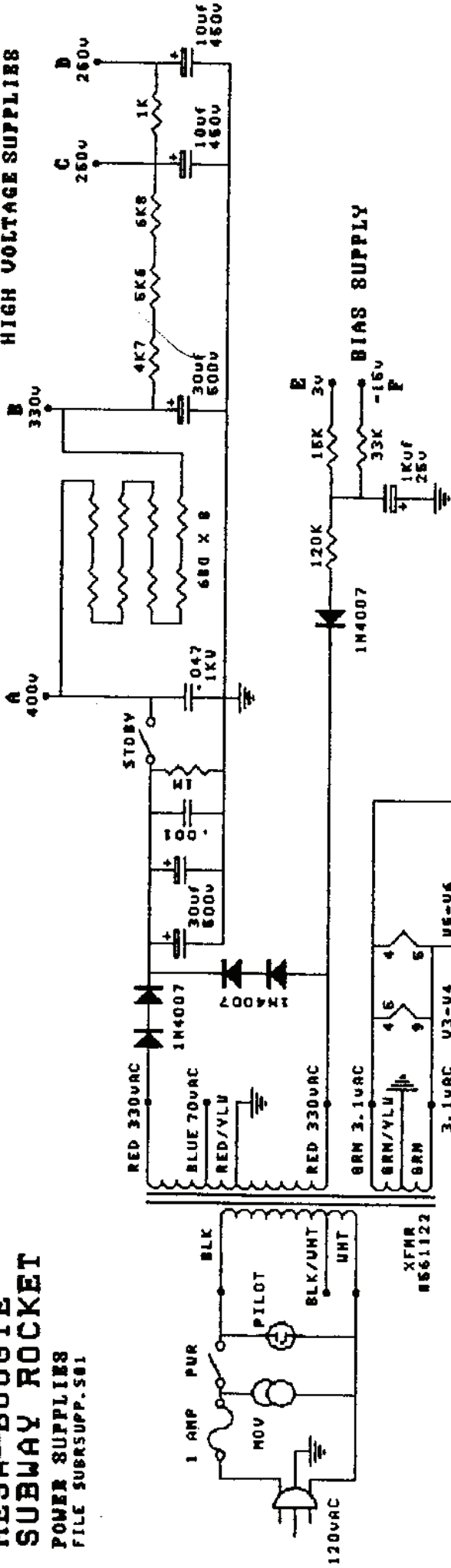


- RELAY 1 - ON FOR RHYTHM
OFF FOR LEAD
- RELAY 2 - ON FOR LEAD
OFF FOR RHYTHM
- 2N6426 - ON FOR LEAD
OFF FOR RHYTHM
- 4N33 1 - CONTOUR ON/OFF
TURNS ON J175
TO BRND EQ BUSS
- 4N33 2 - ON FOR RHYTHM
- LDR1 - ON FOR LEAD TRBL SHFT

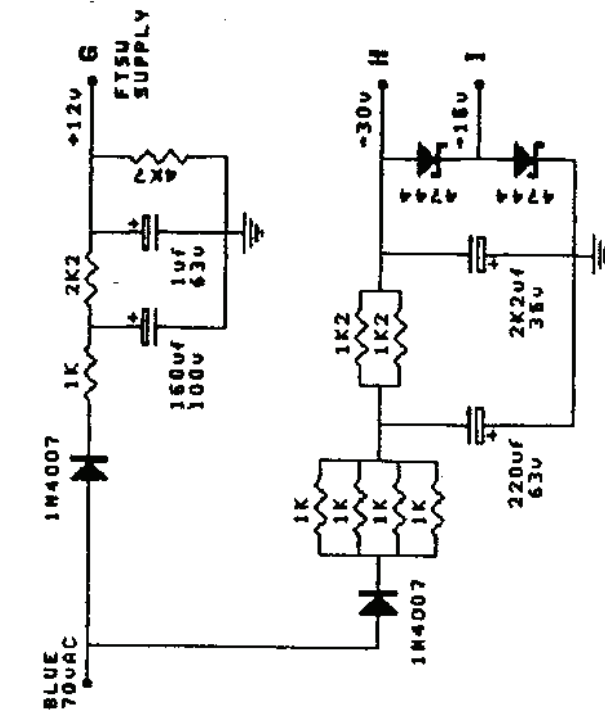
MESA-BOOGIE SUBWAY ROCKET

POWER SUPPLIES
FILE SUBRSUPP.501

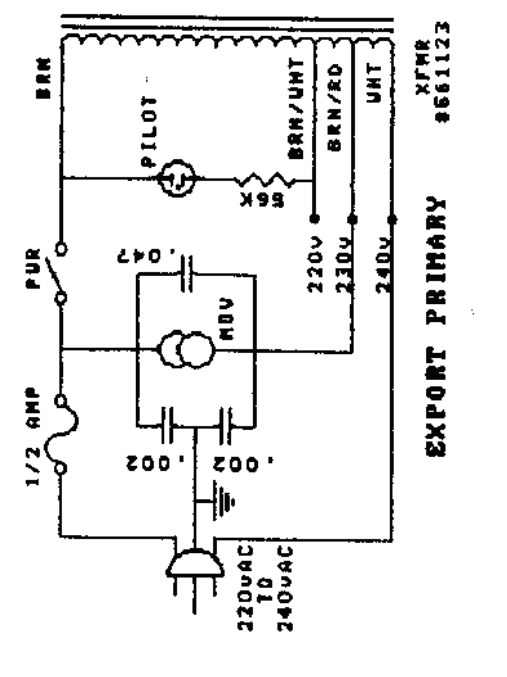
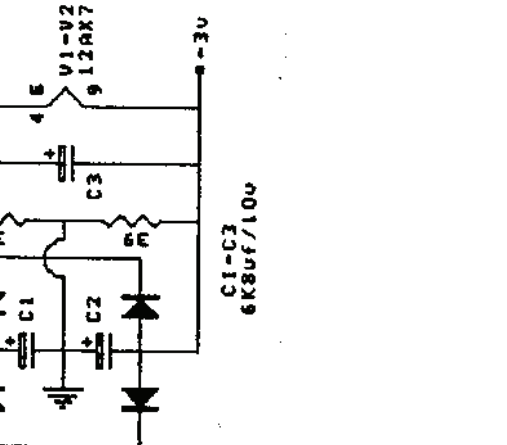
HIGH VOLTAGE SUPPLIES



BIAS SUPPLY



LOW VOLTAGE SUPPLIES



EXPORT PRIMARY XFRM #661123

2/6