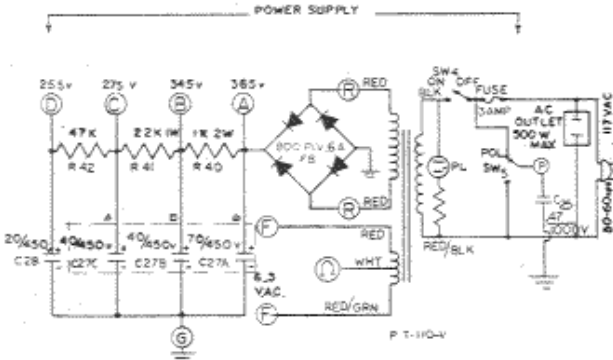
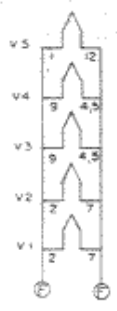
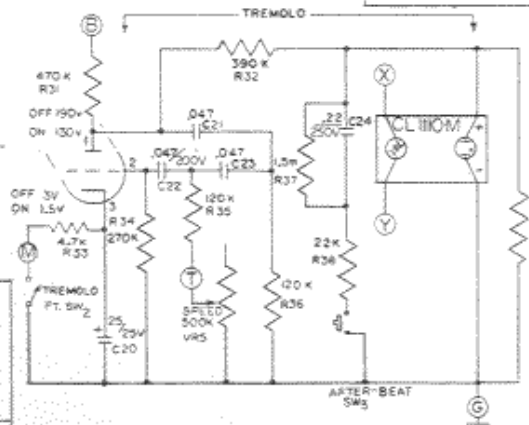



NOTE. D.C. VOLTAGE READINGS WITH NO SIGNAL INSERTED
 VOLTAGE READING WITH 20000 Ω/VOLT METER
 THIS CIRCUIT PROTECTED BY ONE OR MORE
 U.S. PATENTS PENDING -
 ALL CAPACITORS IN M.F.C. & 400V UNLESS OTHERWISE
 STATED.
 ALL RESISTORS 1/2 W. Ω UNLESS OTHERWISE STATED.



POST OFFICE BOX 515

MODEL GS-12-R
 ROCKET II
 U.S. PATENT 3388257
 TUBE LOCATION
 7591 7591 12AX7 12AX7 6U10
 DRG. NO. 03700 OWN. C.W. 10/14/47 5-1-R