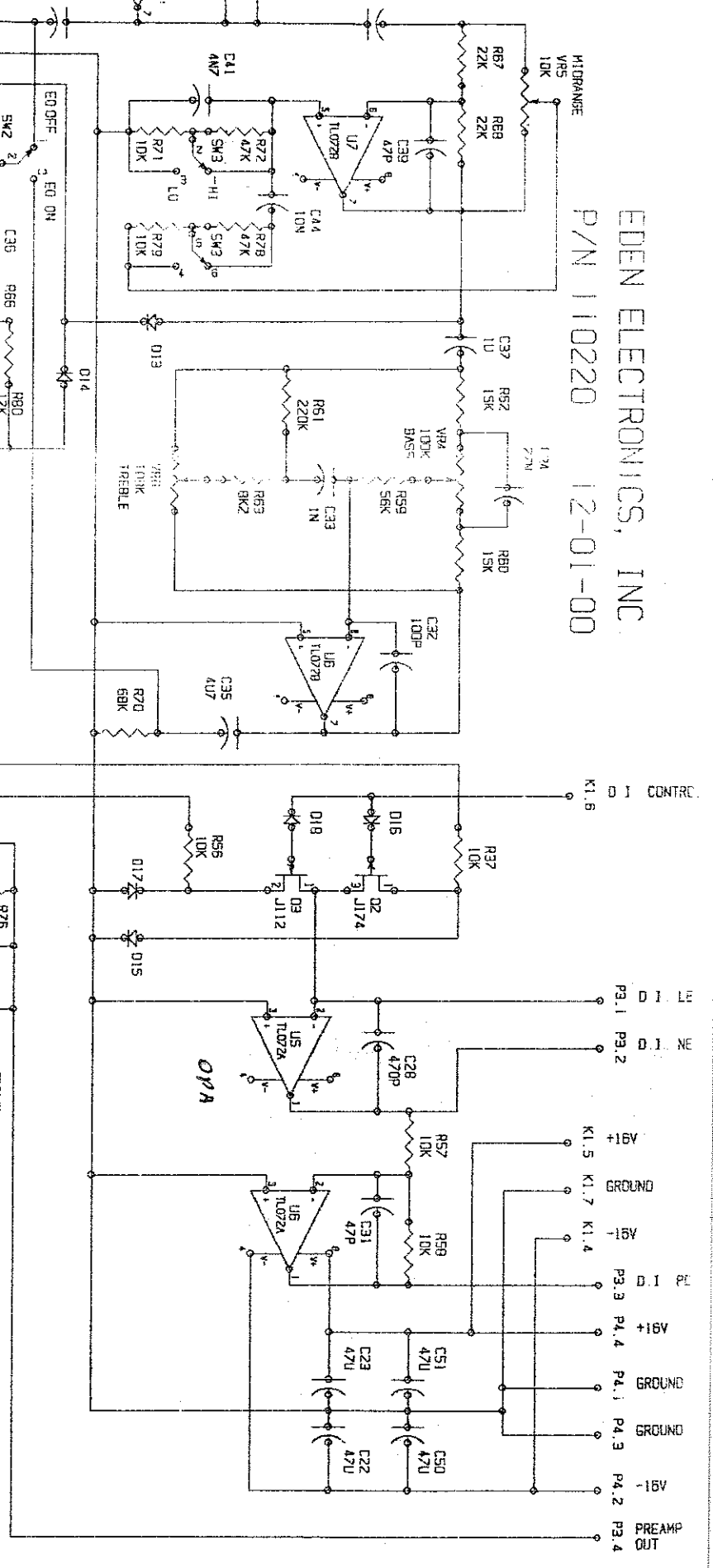
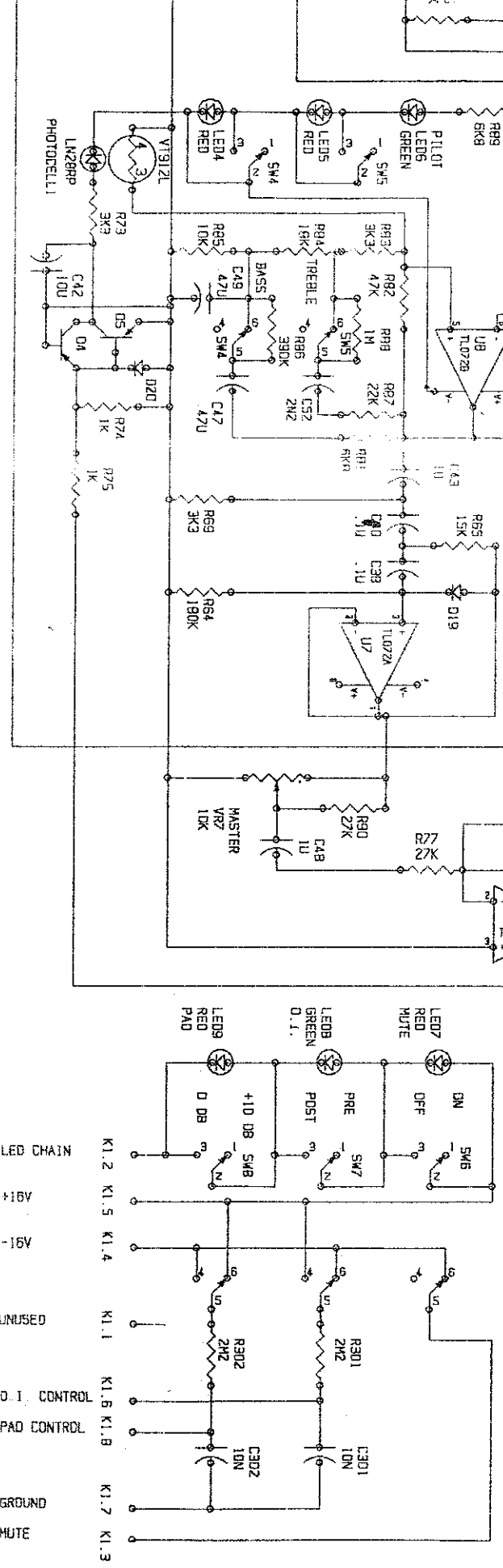
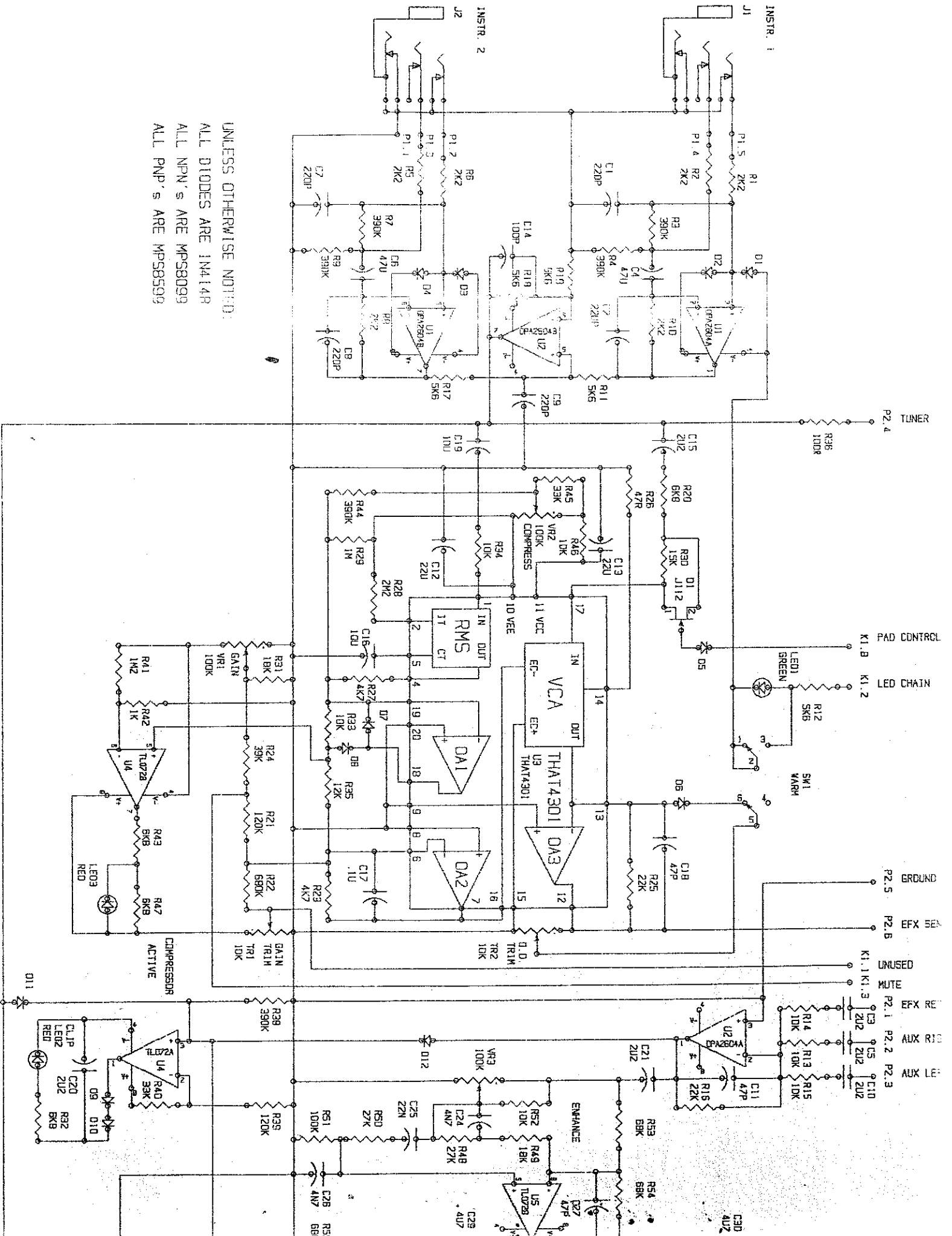


EDEN ELECTRONICS, INC.
P/N 110220 12-01-00



EDEN ELECTRONICS, INC.
P/N 110221 12-01-00





UNLESS OTHERWISE NOTED:
 ALL DIODES ARE 1N4148
 ALL NPN'S ARE MPS8099
 ALL PNP'S ARE MPS8599

INSTR. 1

INSTR. 2

TUNER

PAD CONTROL

LED CHAIN

GROUND

EFX 50%

UNUSED

MUTE

EFX RE

AUX 2

AUX 1

AUX 1

AUX 1

AUX 1

011

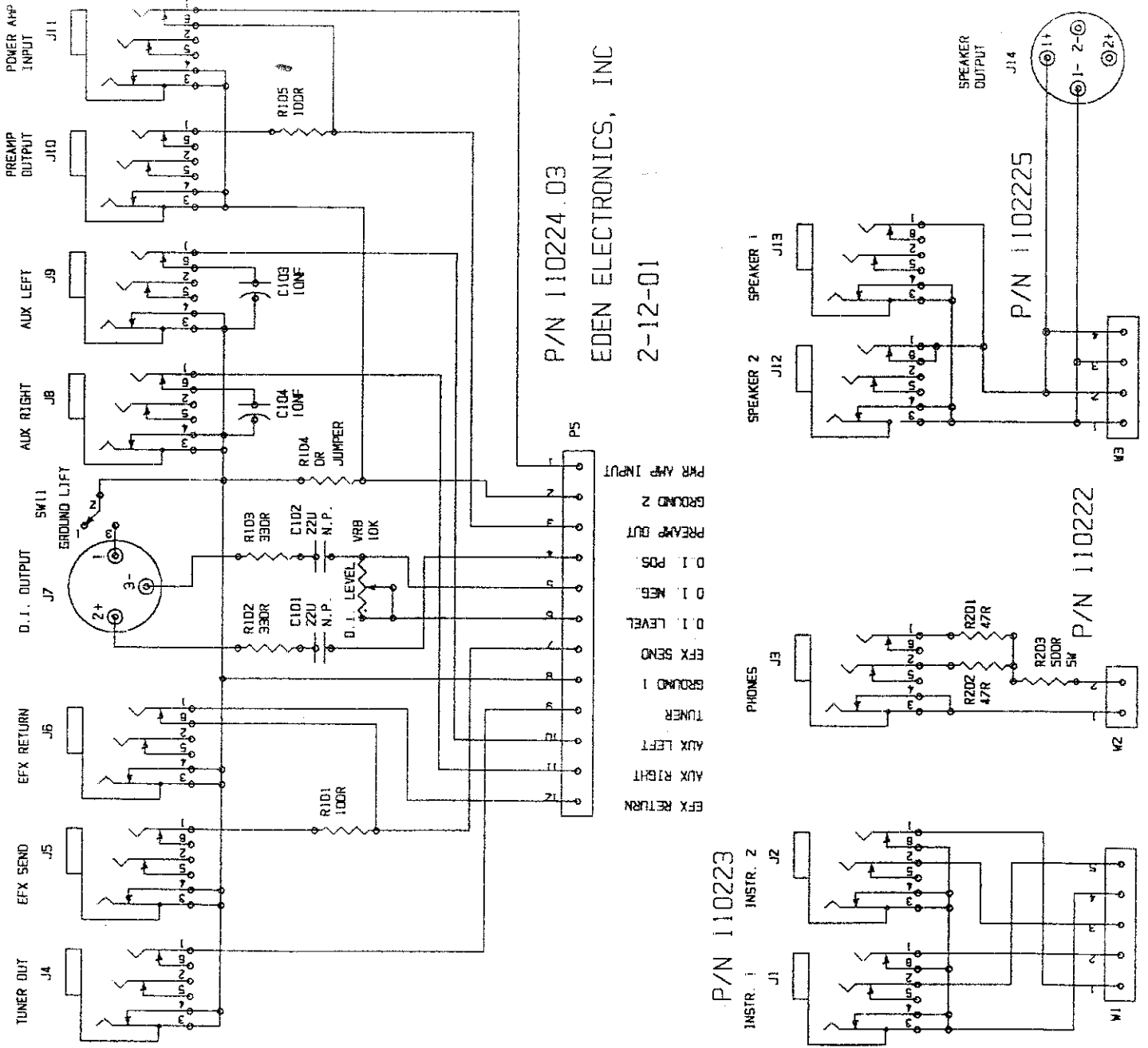
NOTES:

VR8 = 10K 3B TAPER

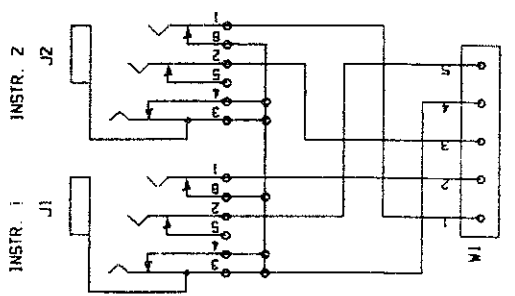
CUT TRACE FROM
TIP TO SWITCH ON

J8 AND J9

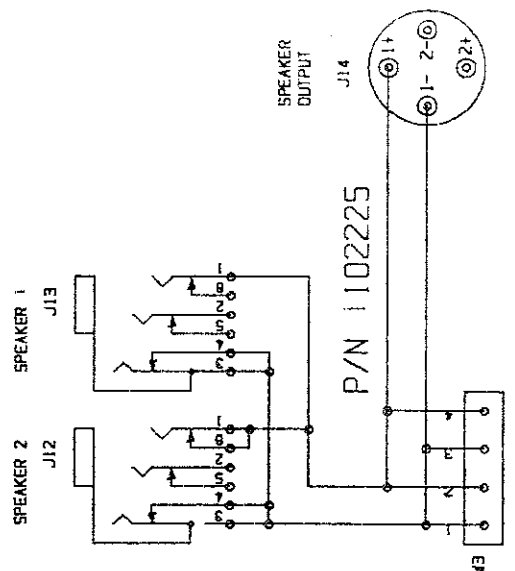
INSERT C103 AND
C104 FROM SWITCH
TO GROUND ON
BACK OF PCB.



P/N 110223



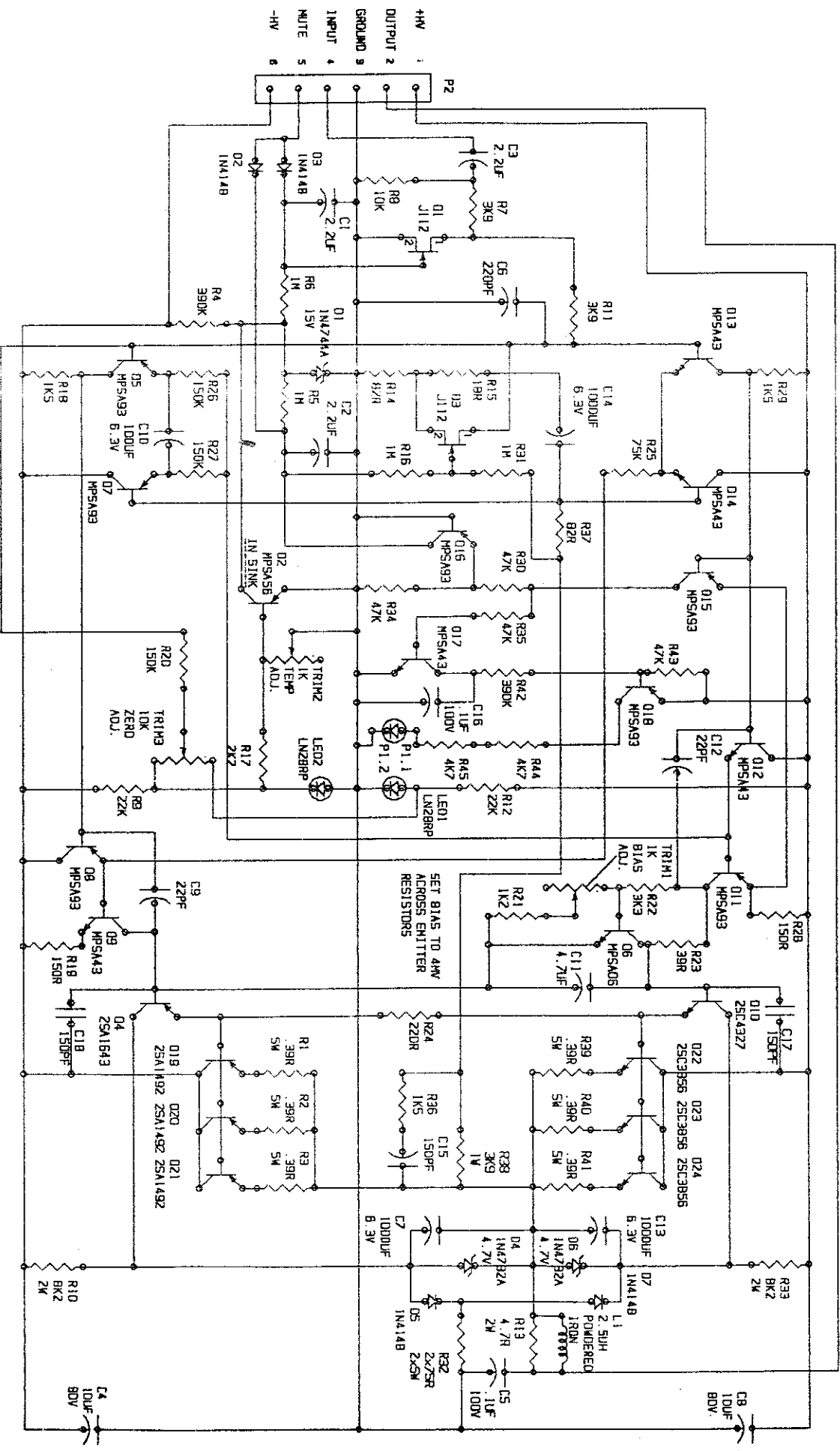
P/N 110222



P/N 110224.03

EDEN ELECTRONICS, INC

2-12-01



EDEN ELECTRONICS, INC.

P/N 110227.03 2-12-01

EDEN ELECTRONICS, INC.

P/N 110226.03

2-12-01

