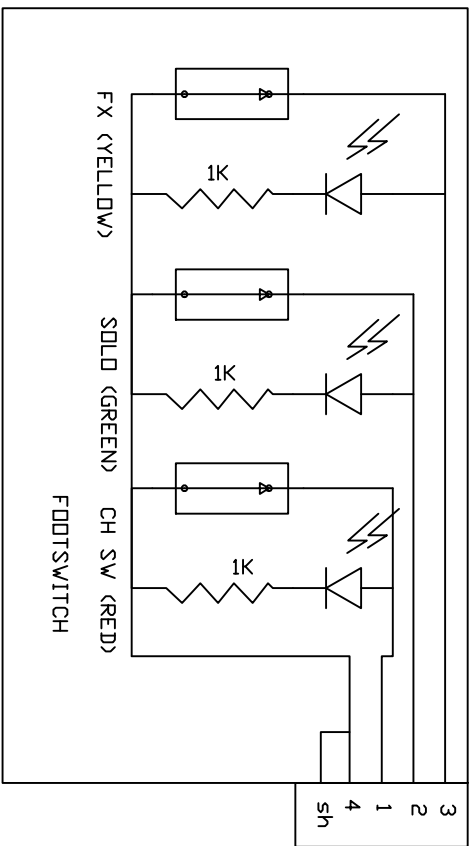
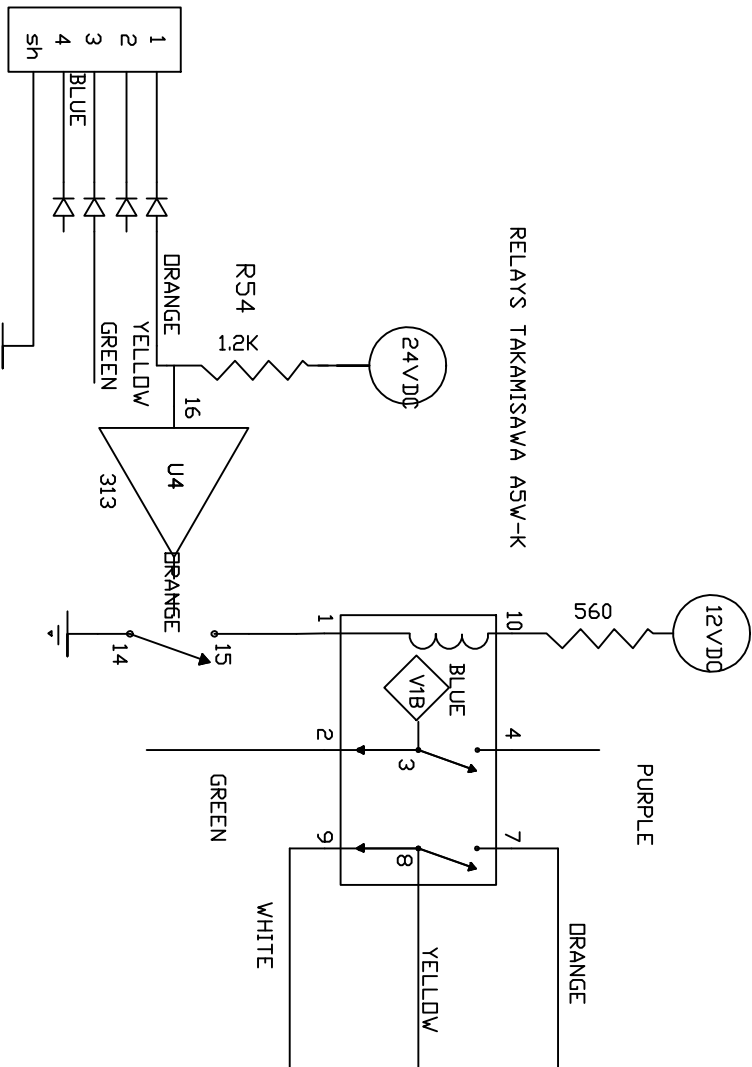


FEMALE XLR-4  
FOOTSWITCH



- |   |                    |
|---|--------------------|
| 1 | PURPLE RELAY PIN 4 |
| 2 | BLUE RELAY PIN 3   |
| 3 | GREEN RELAY PIN 2  |
| 4 | ORANGE RELAY PIN 7 |
| 5 | YELLOW RELAY PIN 8 |
| 6 | WHITE RELAY PIN 9  |
| 7 | RED DP AMP OUT     |
| 8 | BLACK GROUND       |
- D2 DIRT 2  
 V2B IN  
 C2 CLEAN 2  
 V1A IN  
 GROUND

RELAYS TAKAMISAWA ASW-K



MALE XLR-4  
FRONT PANEL

