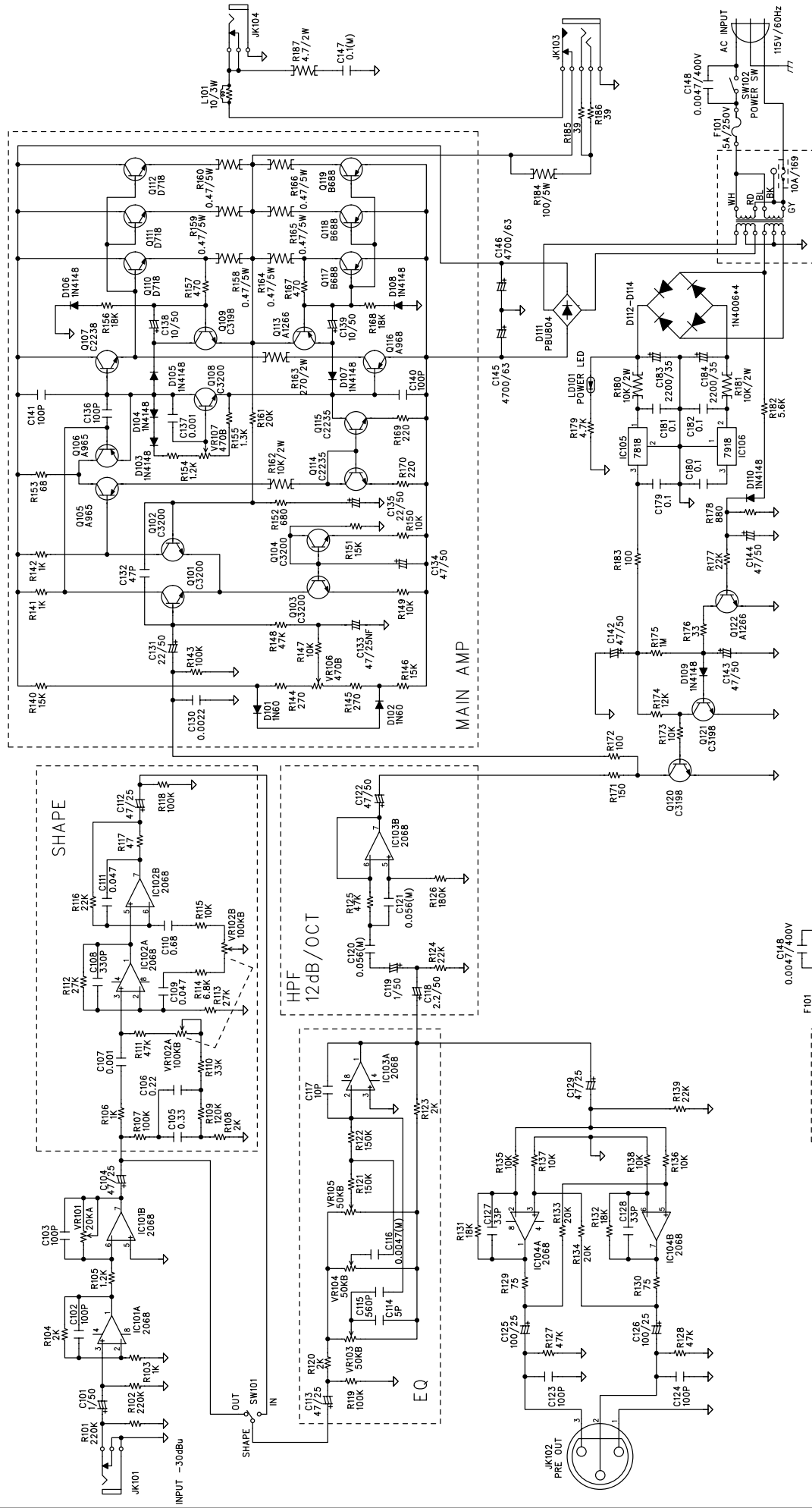


HA1200 SCHEMATIC DIAGRAM



COMPANY :		SAMSON	
TITLE :		HA1200	
SIGN	SIZE :	DRAWING NUMBER	REV
	A3		
DATE :	95. 3. 10	SHEET :	0F