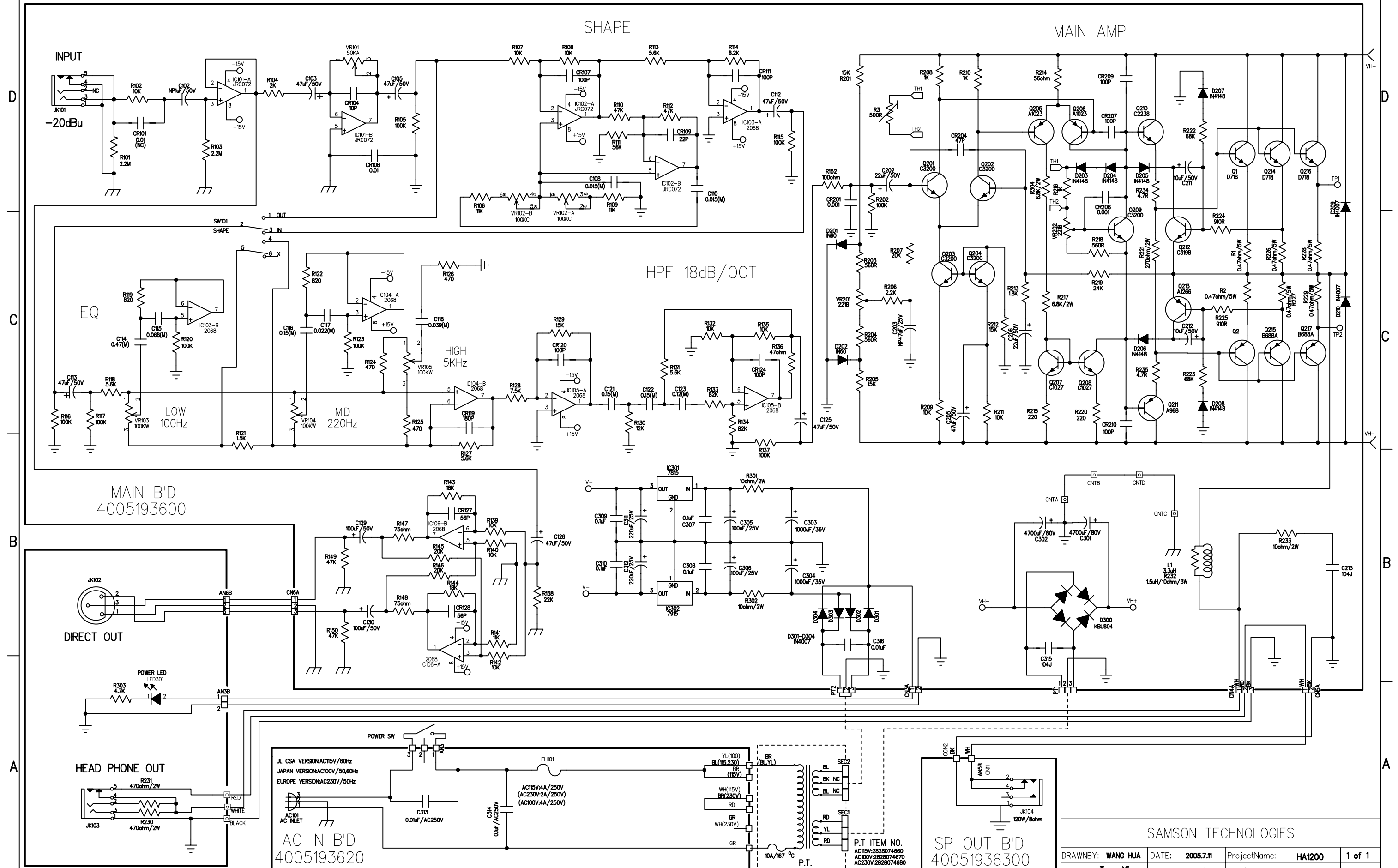


# HS1200 SCHEMATIC DIGRAM



MAIN AMP

SHAPE

HPF 18dB/OCT

EQ

MAIN B'D  
4005193600

AC IN B'D  
4005193620

SP OUT B'D  
40051936300

SAMSON TECHNOLOGIES

DRAWNBY: WANG HUA	DATE: 2005.7.11	ProjectName: HA1200	1 of 1
CHDBY: Tony Yin	SCALE: A2	DrawingName: SAMSON	No V1.0

P.T ITEM NO.  
AC15V:2828074660  
AC100V:2828074670  
AC230V:2828074680

10A/167 °C  
P.T.