

Power Table						
Ref Des	Device (Type)	Package	-16VA	+15V	-15V	+16VA
U1	3707401_	14DIP_3	4		11	
U2	3753201_	8DIP_3		8	4	
U3	3753201_	8DIP_3	4			8

**FOR 07-673-01 / -02 ASSEMBLIES**

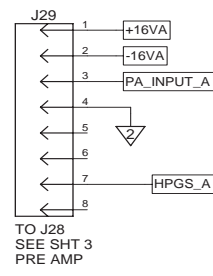
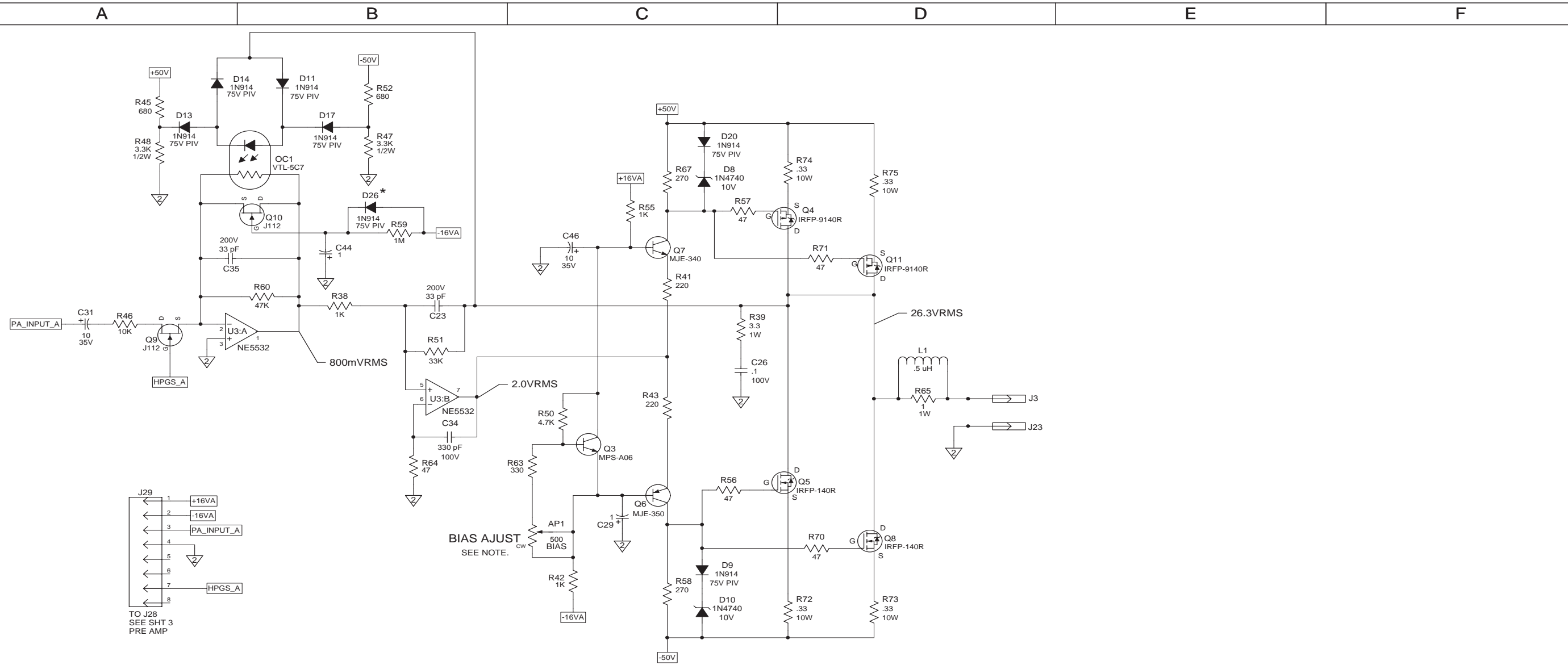
**CAUTION:**  
THIS SCHEMATIC IS PROVIDED FOR USE BY QUALIFIED PERSONNEL. TO AVOID RISK OF ELECTRIC SHOCK, REFER SERVICING TO QUALIFIED SERVICE PERSONNEL. DO NOT PERFORM ANY SERVICING BEYOND THAT EXPLAINED IN THE OPERATING INSTRUCTIONS.

- NOTES:**
- 1) CAUTION: SHOCK HAZARD!! THIS UNIT CONTAINS HAZARDOUS VOLTAGE. DISCONNECT POWER AND BE SURE POWER SUPPLY IS DISCHARGED BEFORE TOUCHING INTERNAL PARTS.
  - 2) UNLESS NOTED, RESISTOR VALUES IN OHMS, 1/4W-5% TOL. CAPACITOR VALUES IN MICROFARADS, 50V-10% TOL.
  - 3) VOLTAGES ARE MEASURED WITH 1 MEGOHM OSCILLOSCOPE AND 10 MEGOHM DIGITAL VOLTMETER.

**TEST POINT CONDITIONS NOTE :**  
1 KHz INPUT SINEWAVE 120mV @ 0 dB  
INPUT JACK. 120VAC LINE, VOLUME, GAIN & HP LEVEL @ "10"  
TONES @ "5", DC VOLTAGES WITH NO SIGNAL APPLIED.

⚠ NOT USED

1	05/30/06	ADDED -02 ASSEMBLY	N02128	WFB		
0	12/15/05	CONTROL ISSUE		WFB		
REV	Date	DESCRIPTION	Ecr(s)/Ecn(s)	Chgd By	Appvd by	Date
THE INFORMATION CONTAINED ON THIS DRAWING IS PROPRIETARY TO ST. LOUIS MUSIC, INC						
<b>Signatures:</b>			<b>Date:</b>			
Drawn: RLB			5-9-05		1901 Congressional, St. Louis, MO 63146	
Checked:					First Used On:	
Released:						
Plot Date: Wed May 31, 2006		Drawing Size: C		Drawing Title:		
Plot Time: 06:13:04		Drawing Type: Schematic		<b>BASS AMP</b>		
Tolerance:		Class Code: NONE		Drawing Number:		
		Sheet 1 of 3		<b>07S673</b>		



**FOR 07-673-01 / -02 ASSEMBLIES**

**CAUTION:**  
THIS SCHEMATIC IS PROVIDED FOR USE BY QUALIFIED PERSONNEL. TO AVOID RISK OF ELECTRIC SHOCK, REFER SERVICING TO QUALIFIED SERVICE PERSONNEL. DO NOT PERFORM ANY SERVICING BEYOND THAT EXPLAINED IN THE OPERATING INSTRUCTIONS.

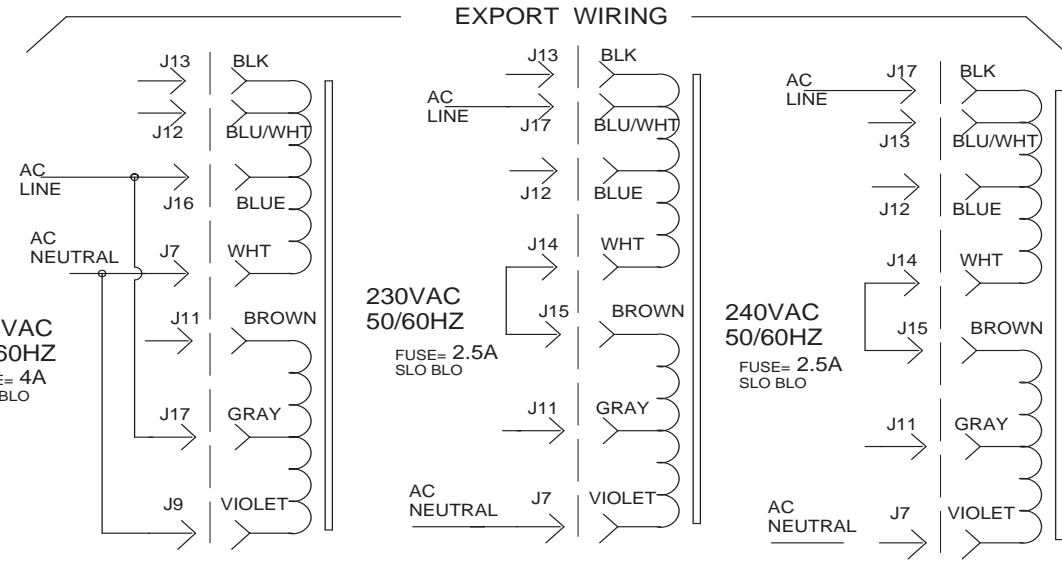
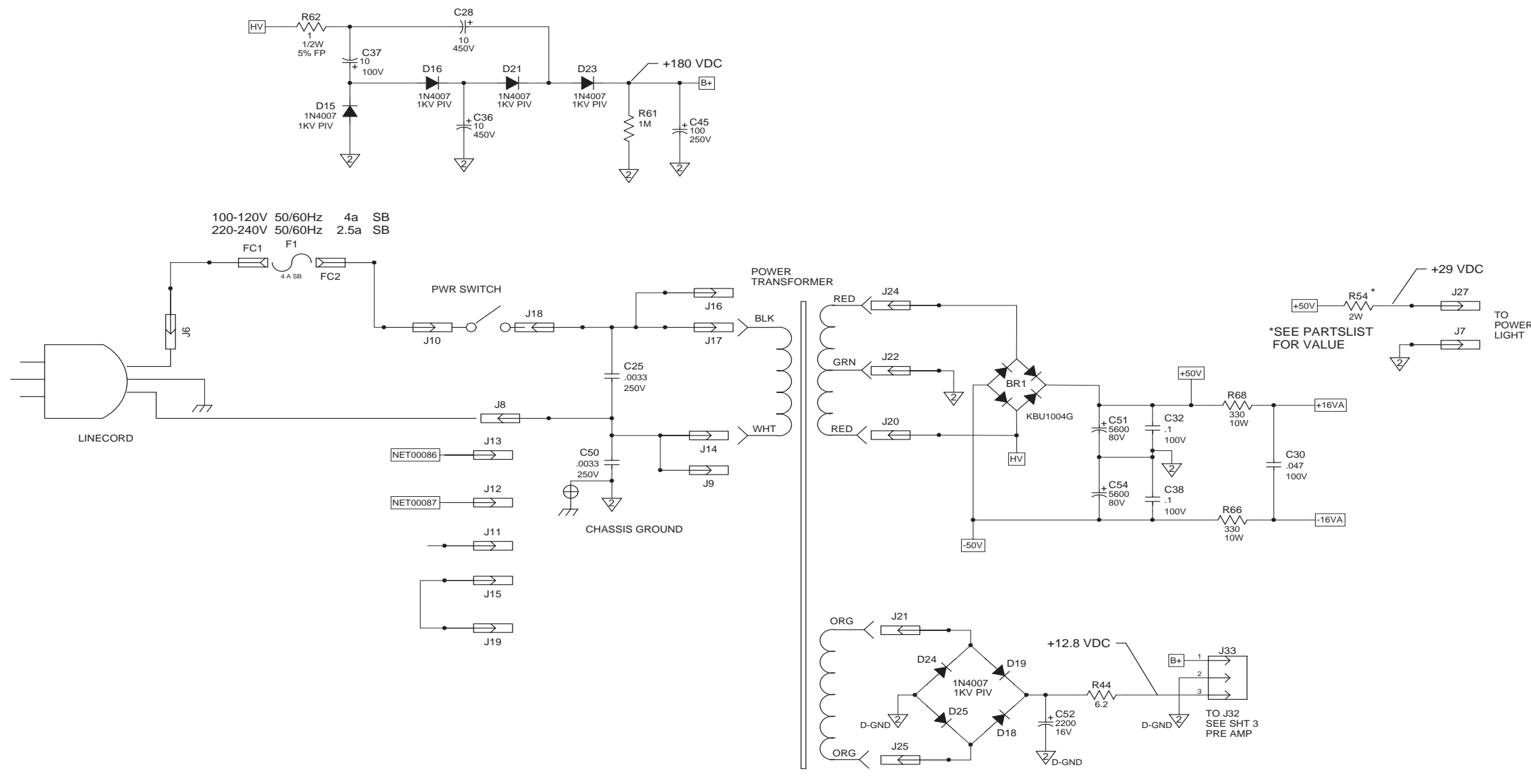
- NOTES:**
- 1) CAUTION: SHOCK HAZARD!! THIS UNIT CONTAINS HAZARDOUS VOLTAGE. DISCONNECT POWER AND BE SURE POWER SUPPLY IS DISCHARGED BEFORE TOUCHING INTERNAL PARTS.
  - 2) UNLESS NOTED, RESISTOR VALUES IN OHMS, 1/4W-5% TOL. CAPACITOR VALUES IN MICROFARADS, 50V-10% TOL.
  - 3) VOLTAGES ARE MEASURED WITH 1 MEGOHM OSCILLOSCOPE AND 10 MEGOHM DIGITAL VOLTMETER.

**\* D26 ON -02 VERSION ONLY**

**NOTE:** SET BIAS VOLTAGE FROM COLD START ACROSS R72 - R75 , 15 -20 mV DC AVERAGE , NO SIGNAL, NO LOAD.

**TEST POINT CONDITIONS NOTE :**  
1 KHz INPUT SINEWAVE 120mV @ 0 dB INPUT JACK. 120VAC LINE, VOLUME, GAIN & HP LEVEL @ "10" TONES @ "5" , DC VOLTAGES WITH NO SIGNAL APPLIED.

1	05/30/06	ADDED -02 ASSEMBLY	N02128	WFB		
0	12/15/05	CONTROL ISSUE		WFB		
REV	Date	DESCRIPTION	Ecr(s)/Ecn(s)	Chgd By	Appvd by	Date
THE INFORMATION CONTAINED ON THIS DRAWING IS PROPRIETARY TO ST. LOUIS MUSIC, INC						
<b>Signatures:</b>			<b>Date:</b>		 1901 Congressional, St. Louis, MO 63146	
Drawn: RLB		5-9-05				
Checked:					First Used On:	
Released:						
Plot Date: Wed May 31, 2006		Drawing Size: C		Drawing Title:		
Plot Time: 06:13:04		Drawing Type: Schematic		<b>BASS AMP</b>		
Tolerance:		Class Code: NONE		Drawing Number:		
		Sheet 2 of 3		<b>07S673</b>		



**FOR 07-673-01 / -02 ASSEMBLIES**

**CAUTION:**  
THIS SCHEMATIC IS PROVIDED FOR USE BY QUALIFIED PERSONNEL TO AVOID RISK OF ELECTRIC SHOCK, REFER SERVICING TO QUALIFIED SERVICE PERSONNEL. DO NOT PERFORM ANY SERVICING BEYOND THAT EXPLAINED IN THE OPERATING INSTRUCTIONS.

- NOTES:**
- 1) CAUTION: SHOCK HAZARD!! THIS UNIT CONTAINS HAZARDOUS VOLTAGE. DISCONNECT POWER AND BE SURE POWER SUPPLY IS DISCHARGED BEFORE TOUCHING INTERNAL PARTS.
  - 2) UNLESS NOTED, RESISTOR VALUES IN OHMS, 1/4W-5% TOL. CAPACITOR VALUES IN MICROFARADS, 50V-10% TOL.
  - 3) VOLTAGES ARE MEASURED WITH 1 MEGOHM OSCILLOSCOPE AND 10 MEGOHM DIGITAL VOLTMETER.

1	05/30/06	ADDED -02 ASSEMBLY	N02128	WFB		
0	12/15/05	CONTROL ISSUE		WFB		
REV	Date	DESCRIPTION	Ecr(s)/Ecn(s)	Chgd By	Appvd by	Date
THE INFORMATION CONTAINED ON THIS DRAWING IS PROPRIETARY TO ST. LOUIS MUSIC, INC						
Signatures:			Date:		 1901 Congressional, St. Louis, MO 63146	
Drawn: RLB			5-9-05			
Checked:					First Used On:	
Released:						
Plot Date: Wed May 31, 2006		Drawing Size: C		Drawing Title:		
Plot Time: 06:13:04		Drawing Type: Schematic		<b>BASS AMP</b>		
Tolerance:		Class Code: NONE		Drawing Number:		
		Sheet 3 of 3		<b>07S673</b>		