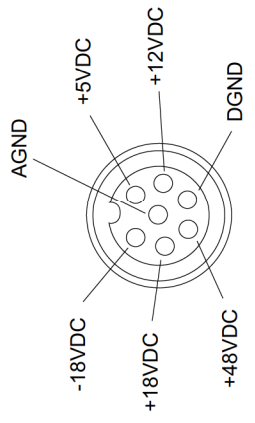
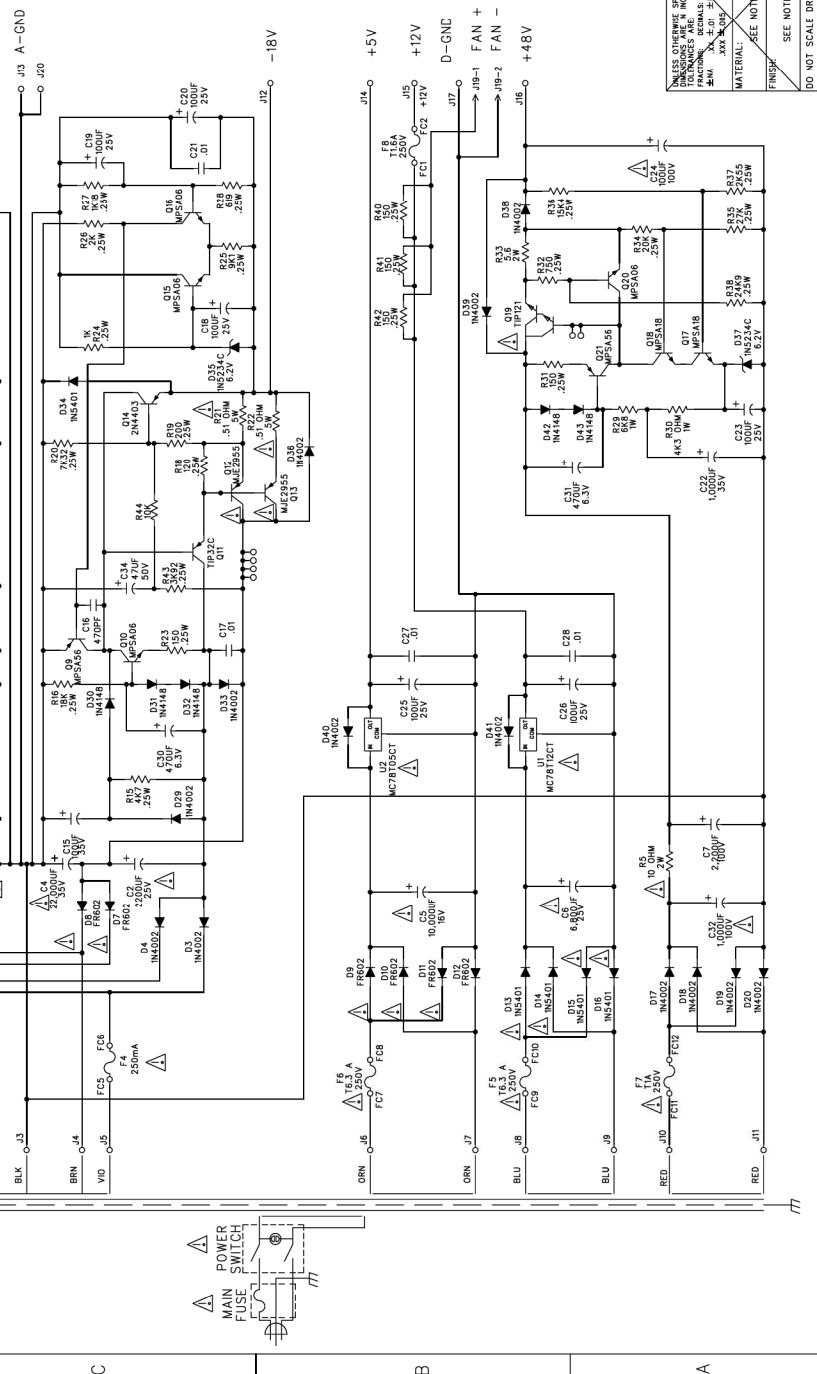


REV. NO. 990-015-00 SHT. REF. 1 1 S

REV. ECD#	DESCRIPTION	REL. BY:	APP. BY:	DATE
B	RELEASED TO PROD.	TRH	JC	7-6-93
C	INCORP ECO 37	TRH	JC	8-17-93
D	142 SWAPPED J13 WITH J17.	TRH	JGS	4-12-94
E	187 LABELED CLEARANCE ON PCB 249 REVISED BOARD DIMS 289 ADDED SHORT CIRCUIT PROTECTION 314 ADDED SHORT CIRCUIT PROTECTION 328 ADDED SCORING TO PCB	TRH		9-28-94
F	CHANGED F8 FROM 1A TO 16A MOVED C33 ON PCB	KR	JGG	11-3-94
G	INCORPORATED ECO'S 151,156,156, AND 957.	KR	ES	7-21-95
H	488 TOOLING HOLES TO 10 697 ALL 6AT DIODES TO FR602	KR		9-12-96
S	307 ADDED DIMENSION TO SLOT DIMENSION 333 ADDED DIMENSION TO SLOT DIMENSION 965 DELETE F1 & F4 FROM B.O.M. 1056 100V/25V LYTICS TO AUTO INSERTION	KR		10-14-96



- BROWN = DGND
- VIOLET = +5VDC
- ORANGE = +12VDC
- YELLOW = +48VDC
- RED = +18VDC
- BLACK = AGND
- BLUE = -18VDC

FOR 110V OPERATION USE T5 AMP MAIN FUSE  
FOR 220V OPERATION USE T2.5 AMP MAIN FUSE

CONTRACT NO.:		MACKIE	
APPROVALS:		Meckle Designs Inc., Woodinville, Wa.	
DATE:	7-01-93	SCHEMATIC	
CHECKED:	JXX	8-BUS POWER SUPPLY	
DESIGNED:	JXX	REV. NO. 990-015-00	
FINISH:	SEE NOTES	SHEET 1 OF 1	
DO NOT SCALE DRAWING	SCALE: NONE	BAGET 1 OF 1	

POWER SUPPLY BOARD 15 REV S 15-1

