

Service Manual

DT-10

CONTENTS

- 1) Structural Diagram: Page 1
- 2) Test Mode: Page 2
- 3) Parts List: Page 3

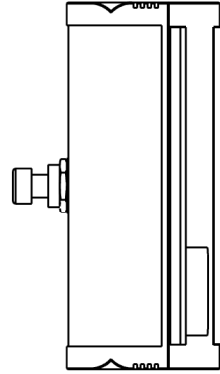
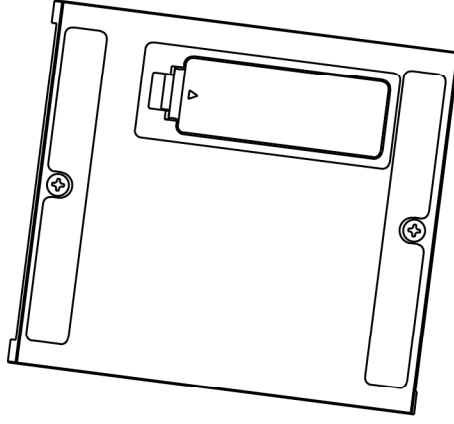
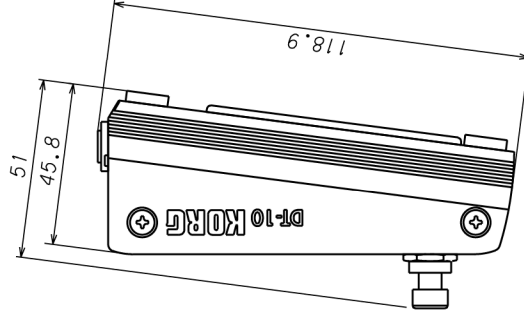
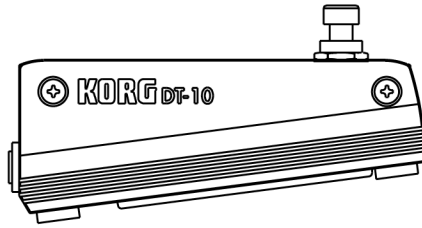
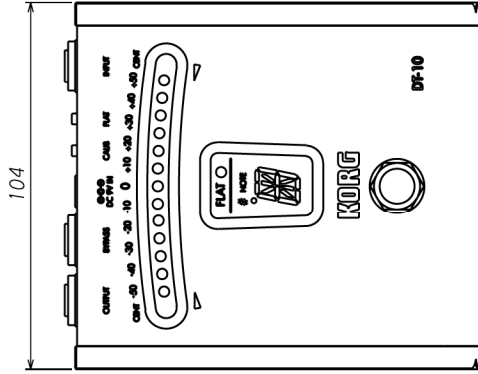
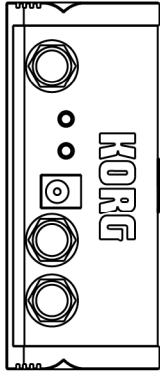
2nd Edition

Issued date: June 13rd, 2003

Issued by: KORG INC.

A B C D E F G H

1 2 3 4 5 6



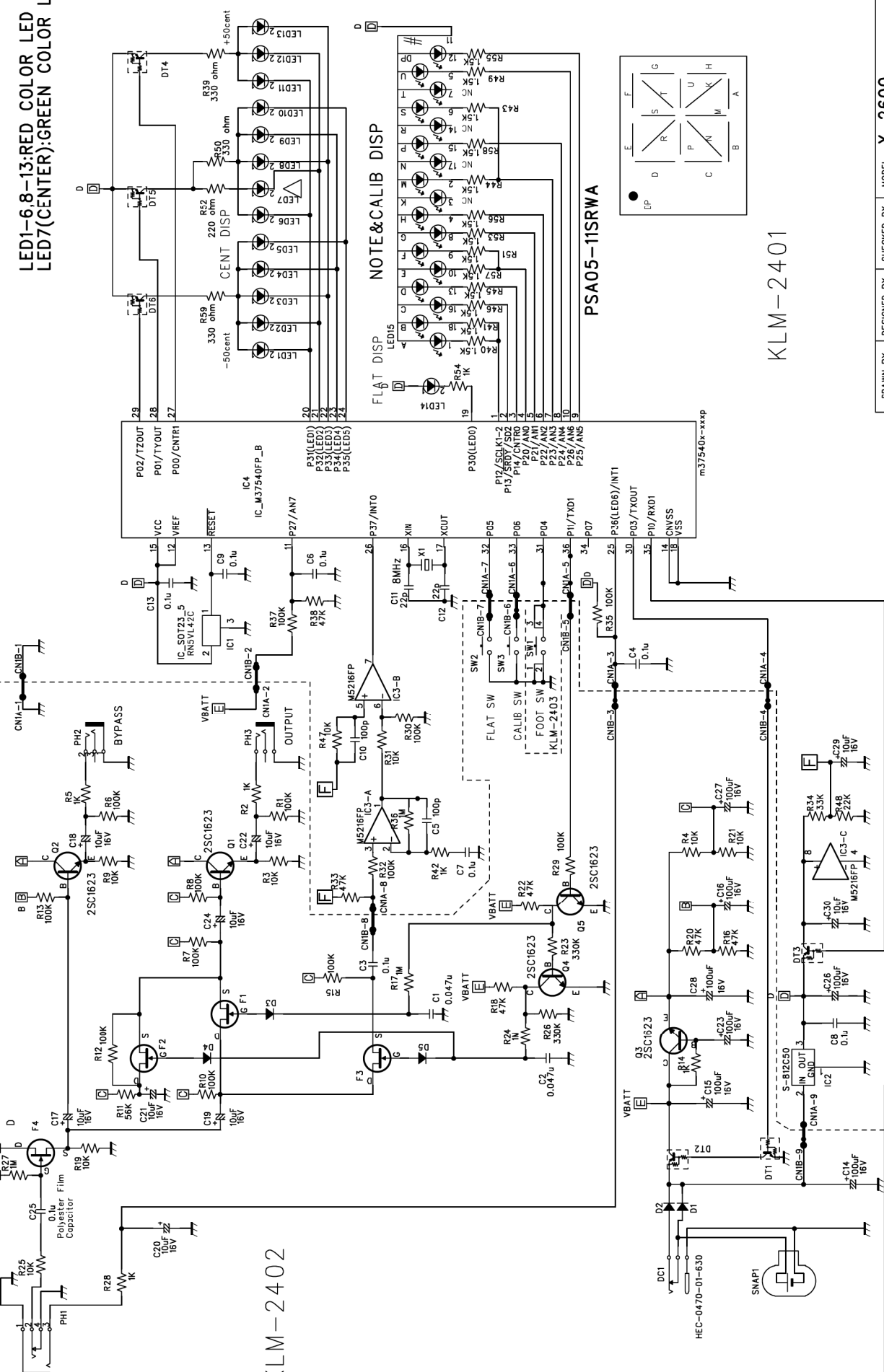
■製品外形寸法	単位: mm	カカロク/取説公表寸法
設計値	104(W)x118.9(D)x51(H)	104(W)x119(D)x51(H)
■製品重量		
実測値	カカロク/取説公表寸法	
	410g	

REVISION MARK	REVISION REASON	REVISION DATE	REVISED BY	APPROVED
△				
△				
△				
△				
△				

MODEL	SPECIFICATION		PARTS NAME		PARTS No.	
WEIGHT: (9)	DRAWN	CHECKED	APPROVED	TITLE	試作	図
	Shimada T. Archi 2002.11.27/2002.11.27/2002.11.27			DT-10 外形図	金型手配	図
	SCALE			DRAWING No.	金型発注	図
	Free			KOC-A30161	量産	図
KORG				KORG INC.		総合製作所

COMMERCIAL TOLERANCE ± mm

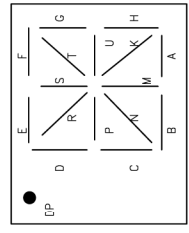
LED1-6,8-13:RED COLOR LED
LED7(CENTER):GREEN COLOR LED



KLM-2402

PSA05-11SRWA

KLM-2401



DRAWN BY	DESIGNED BY	CHECKED BY	MODEL
HIGO	TAKU		X-2600
TITLE			KLM2401/02/03
CIRCUIT DIAGRAM			
DRAWING NO.			KOD-A40531
DATE			'02.11.1

MARK	REVISION REASON	DATE	REVISED BY

How to start and operate the test mode:

CALIB+FOOT SW(Don't insert any plug in "Input") : FULL TEST

FLAT+FOOT SW : FULL TEST

CALIB+FOOT SW(Insert plug in "Input") : INPUT/POWER SUPPLY TEST

