

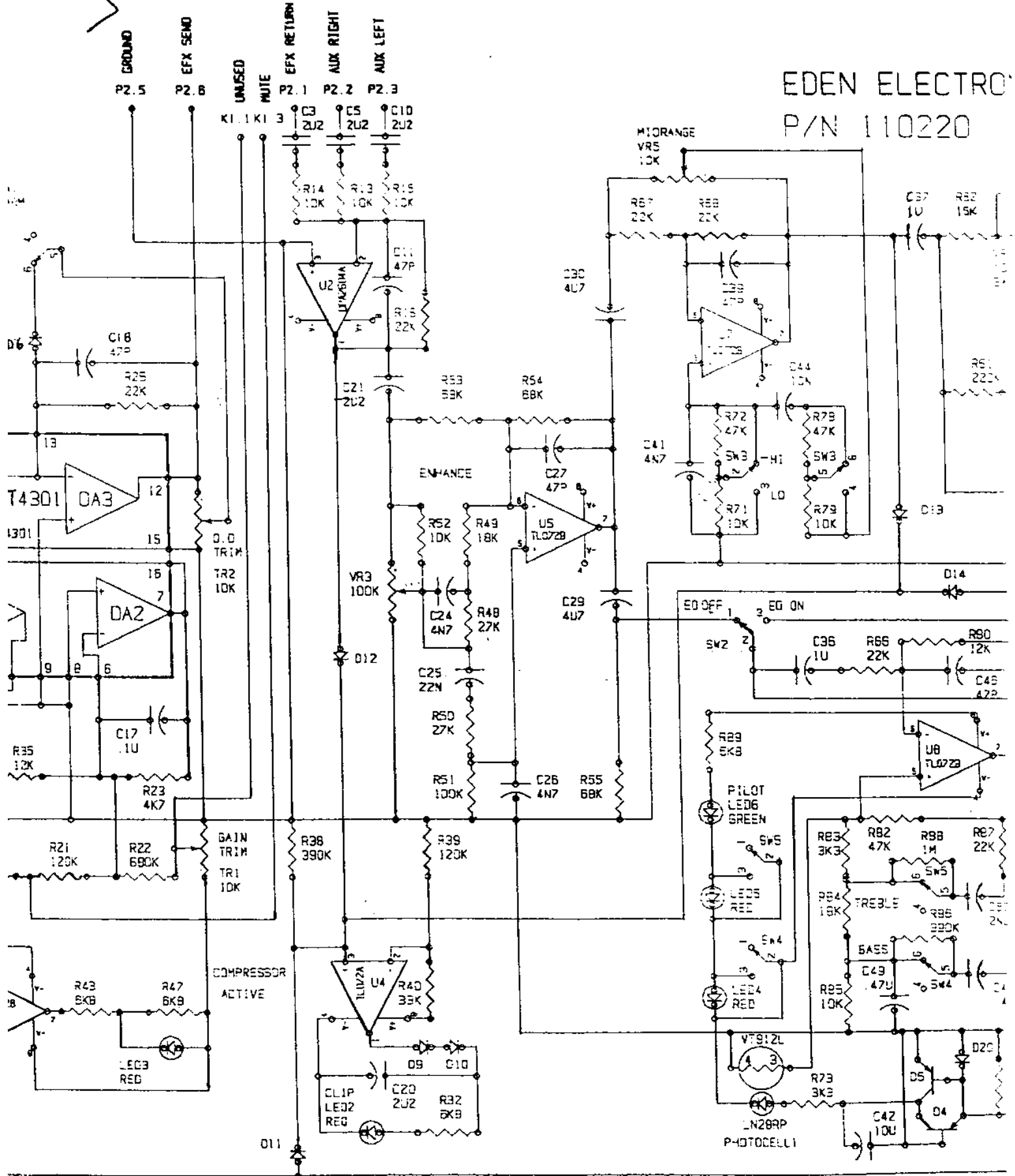
54
W.A.

DI

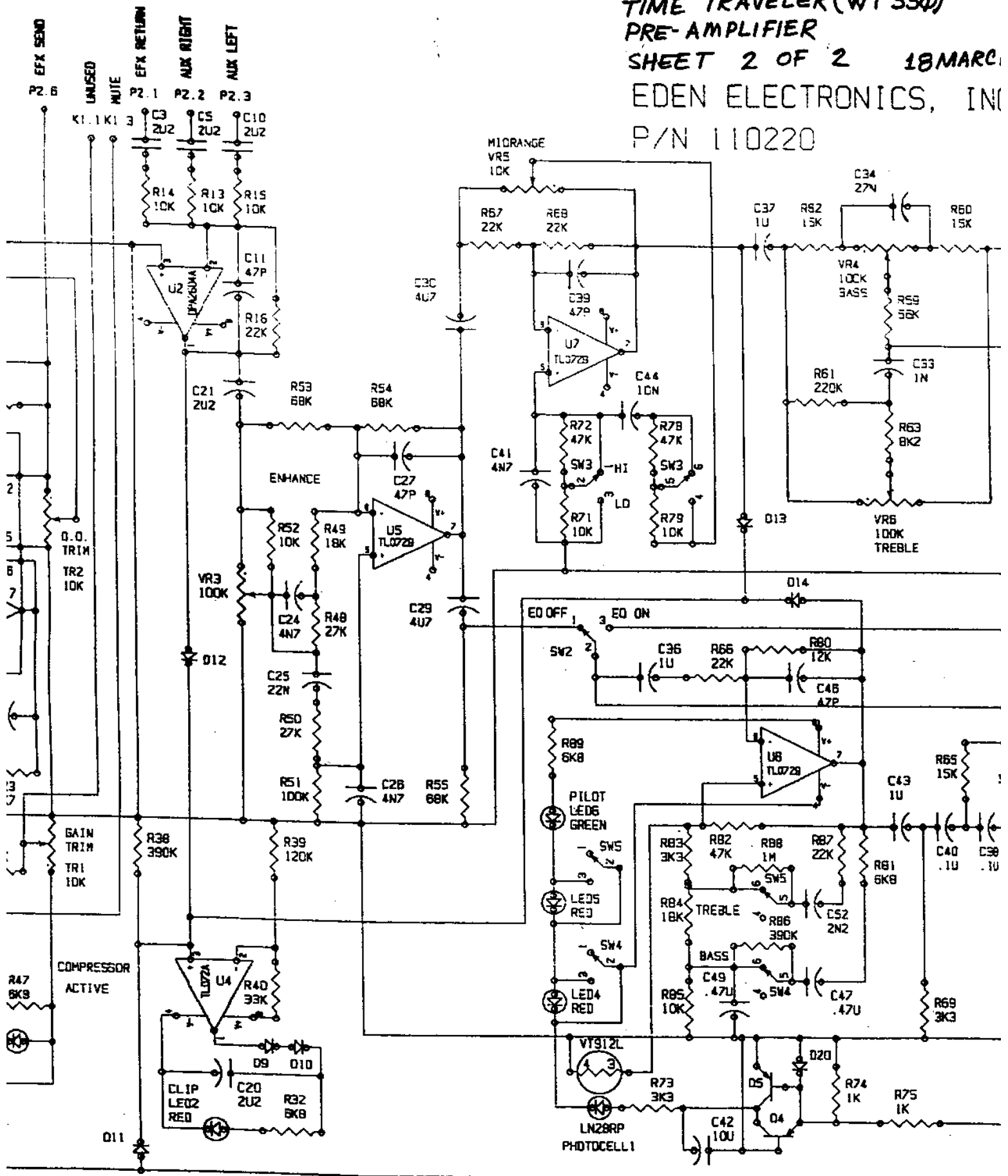
E

EDEN ELECTRONICS

P/N 110220

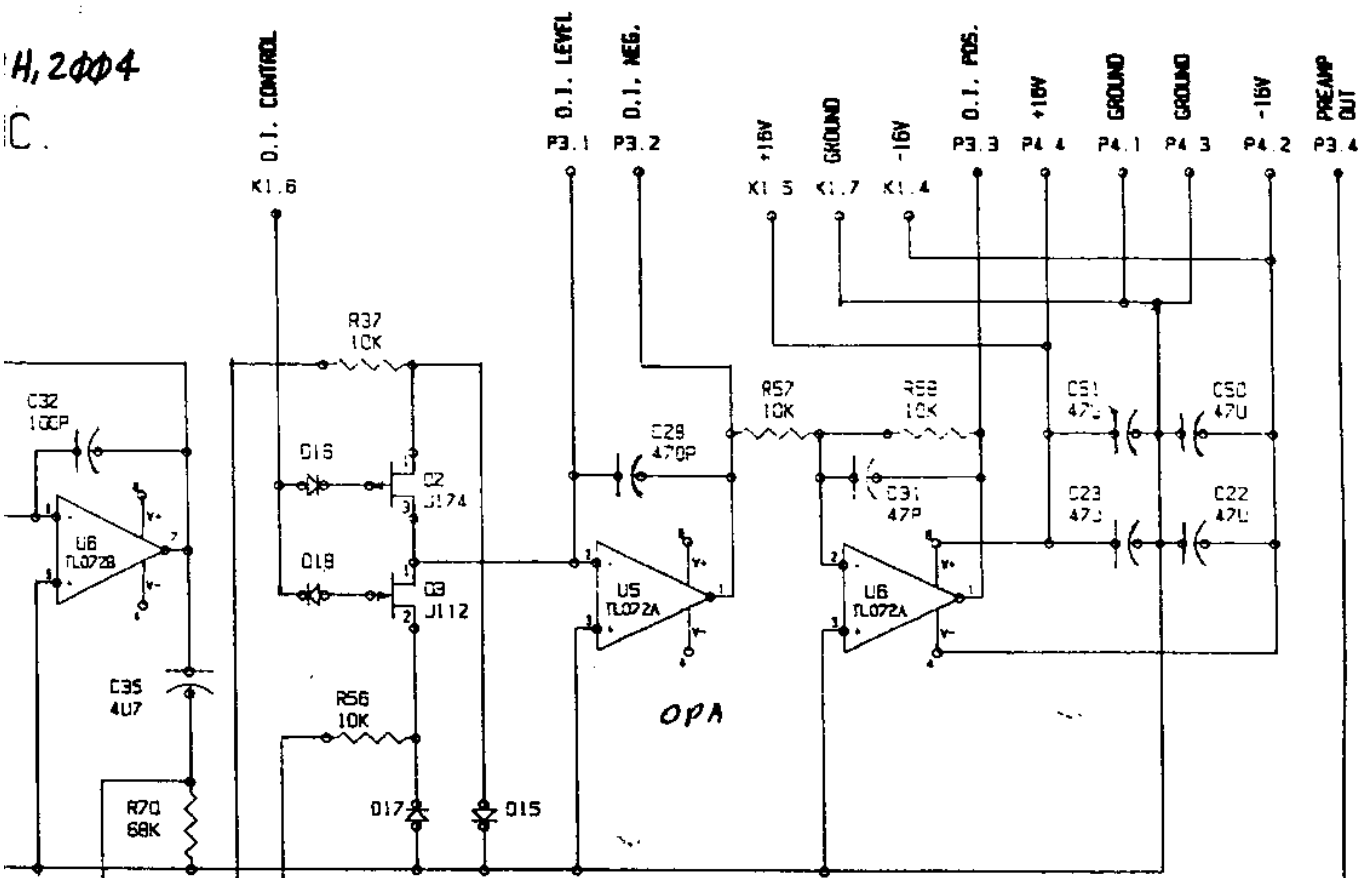


TIME TRAVELER (WT 330)
PRE-AMPLIFIER
 SHEET 2 OF 2 18 MARC
 EDEN ELECTRONICS, INC
 P/N 110220

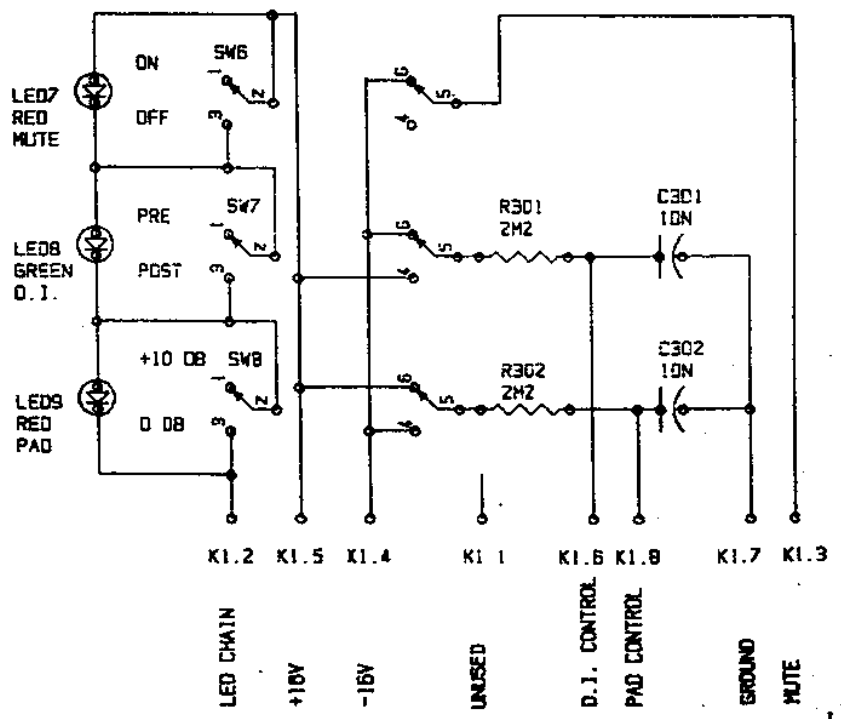
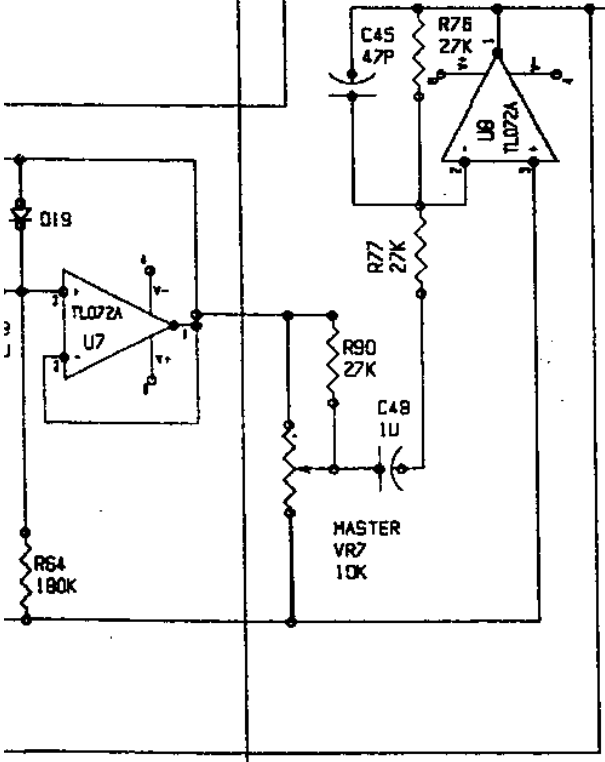


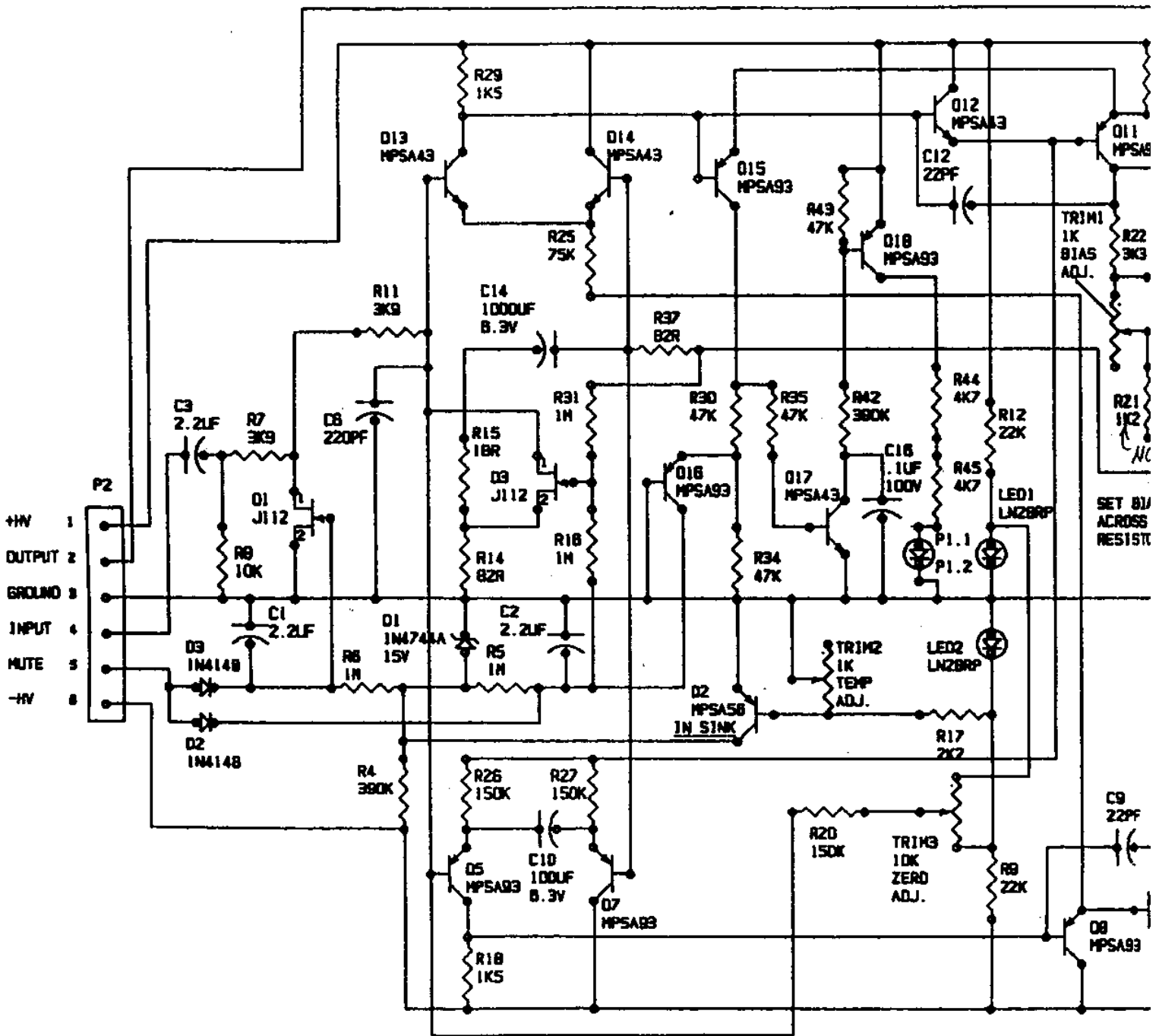
H, 2004

C.

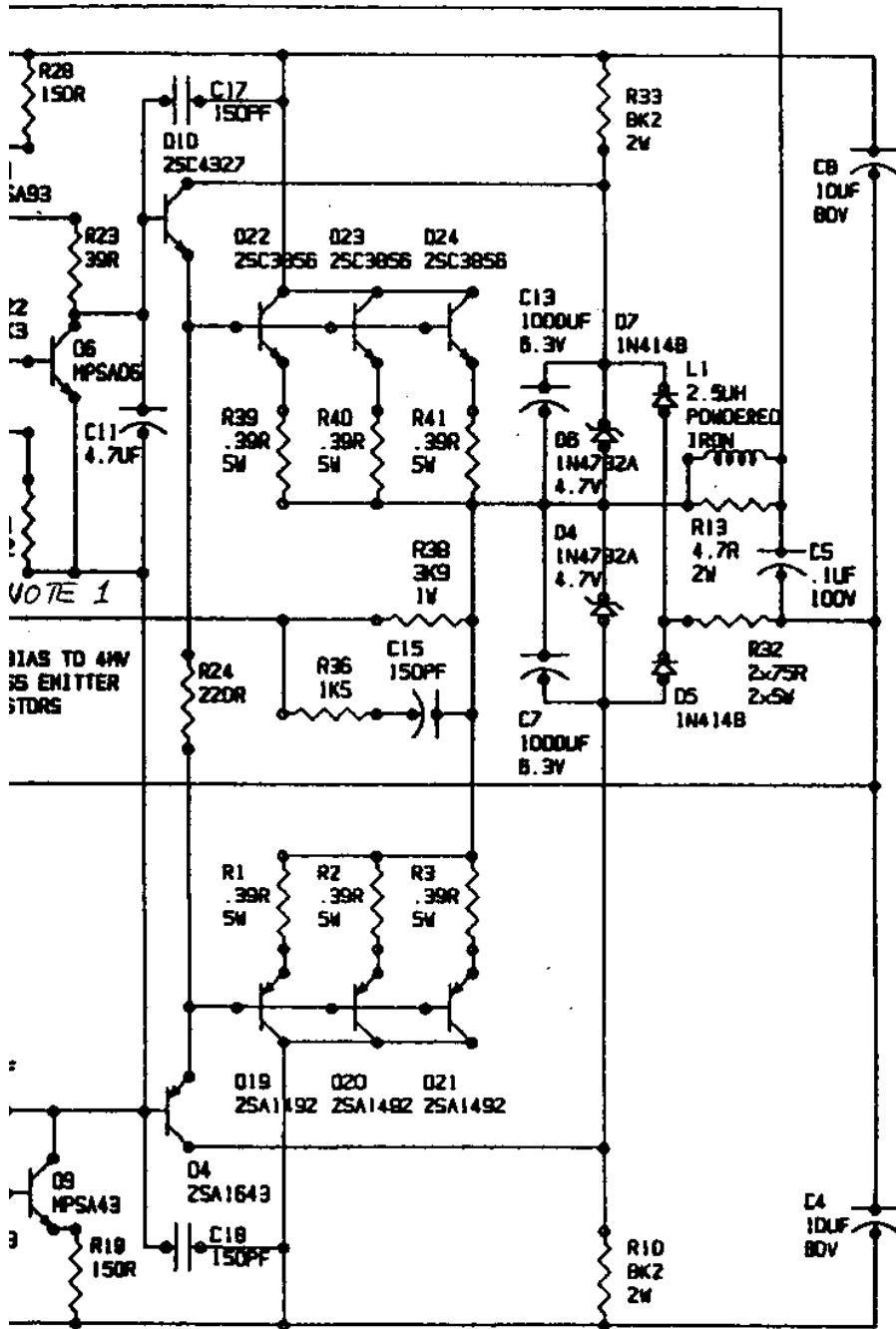


EDEN ELECTRONICS, INC. 12-01-00
 P/N 110221





EDEN ELECTRONICS, INC
 P/N 110227.03 2-12-0



TIME TRAVELER (WT33Φ)
POWER AMPLIFIER.

NOTE 1: SOME LATER UNITS
WILL HAVE 1.0KΩ FOR
R21.

VC.

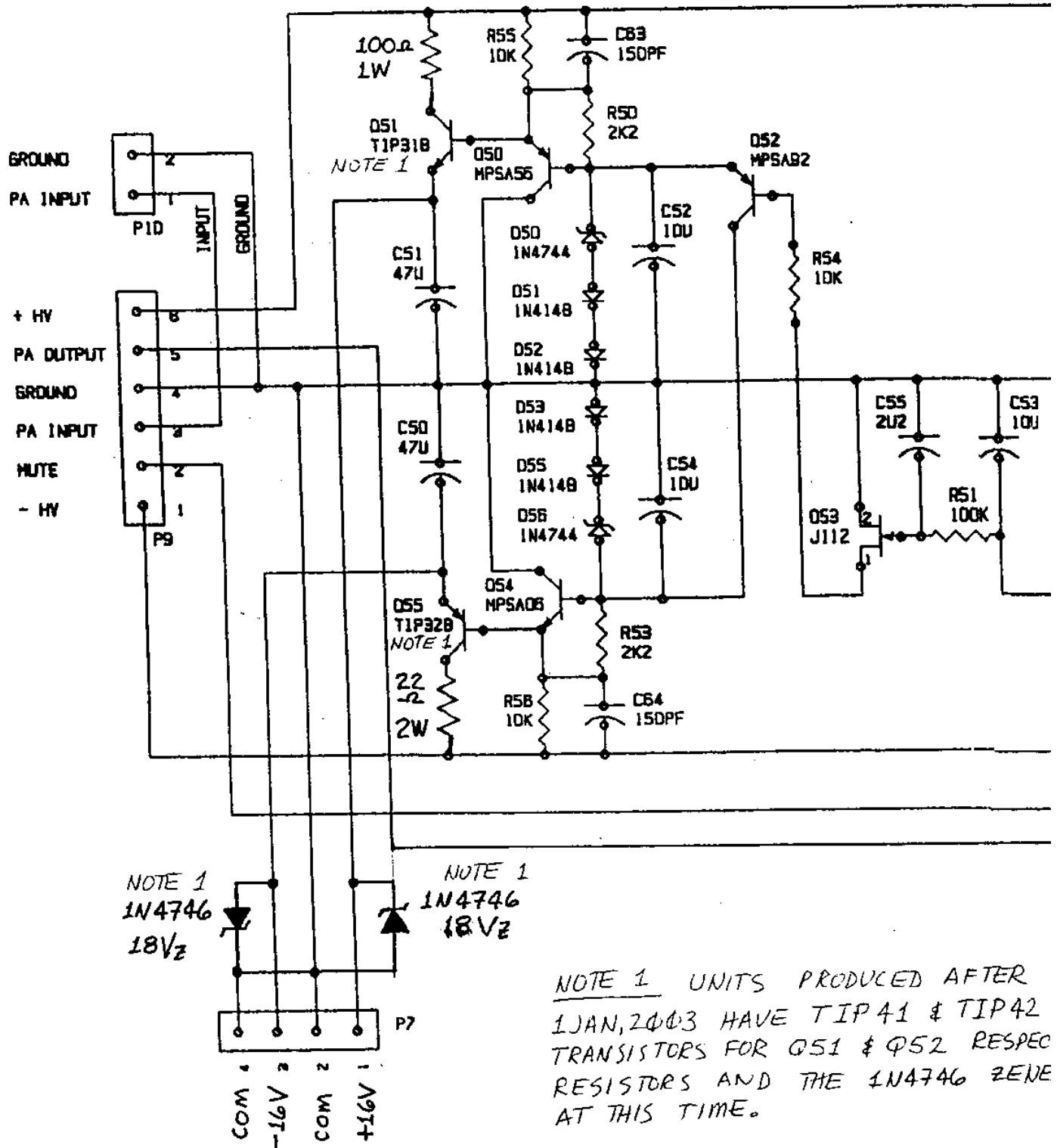
·01

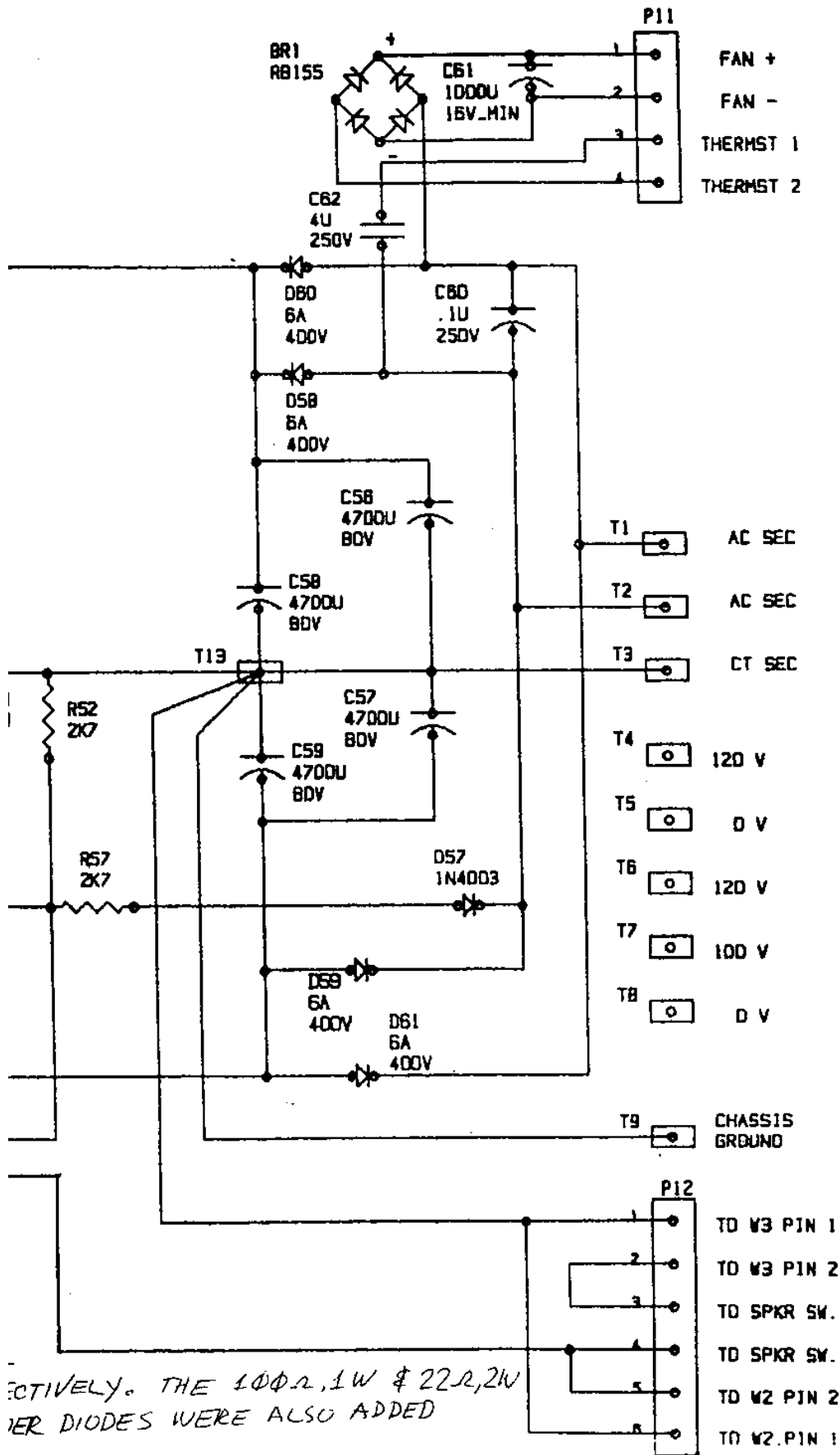
TIME TRAVELER (WT330) POWER SUPPLY

EDEN ELECTRONICS, INC.

P/N 110226.03

18 MARCH, 2004





ECTIVELY. THE 100Ω, 1W & 22Ω, 2W
 IER DIODES WERE ALSO ADDED