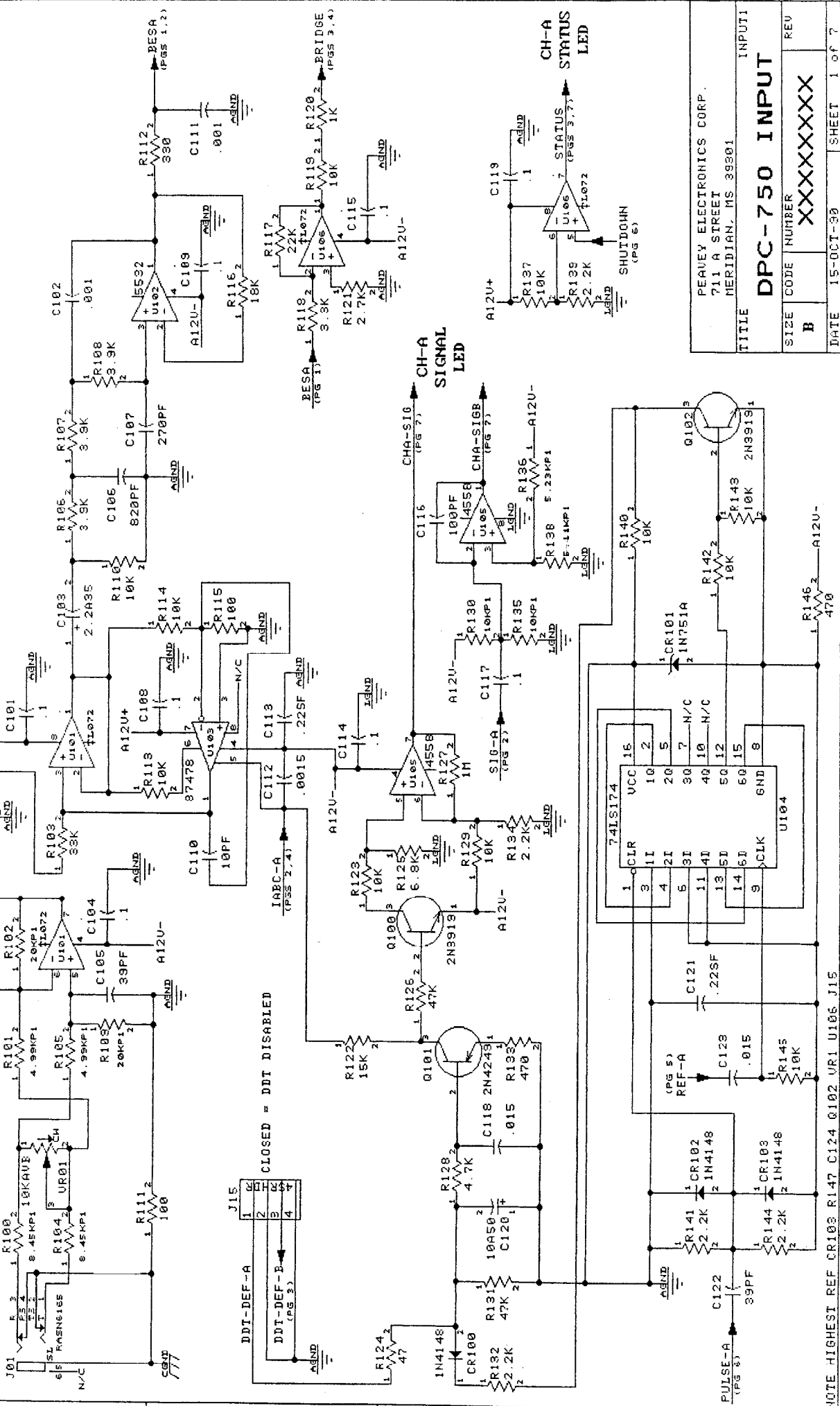
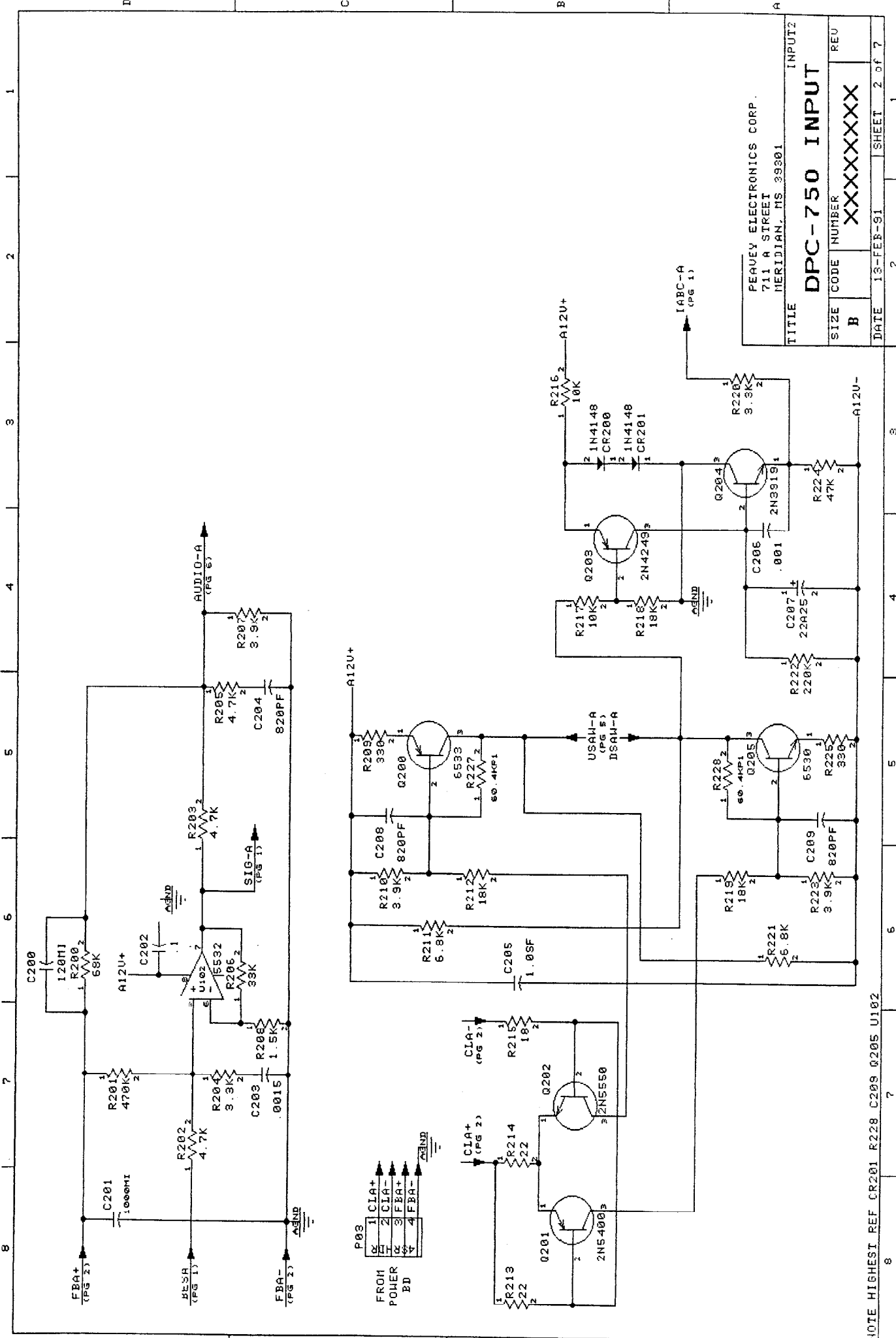


CH-A INPUT



PEAVEY ELECTRONICS CORP. 711 A STREET MERIDIAN, MS 39301	
TITLE	DPC-750 INPUT
SIZE	CODE NUMBER
B	XXXXXXXXXX
DATE	15-OCT-90
SHEET	1 of 7

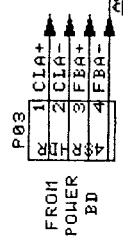
NOTE: HIGHEST REF CR103 R147 C124 Q102 UR1 U106 J15



PEAVEY ELECTRONICS CORP.
711 A STREET
MERIDIAN, MS 39301

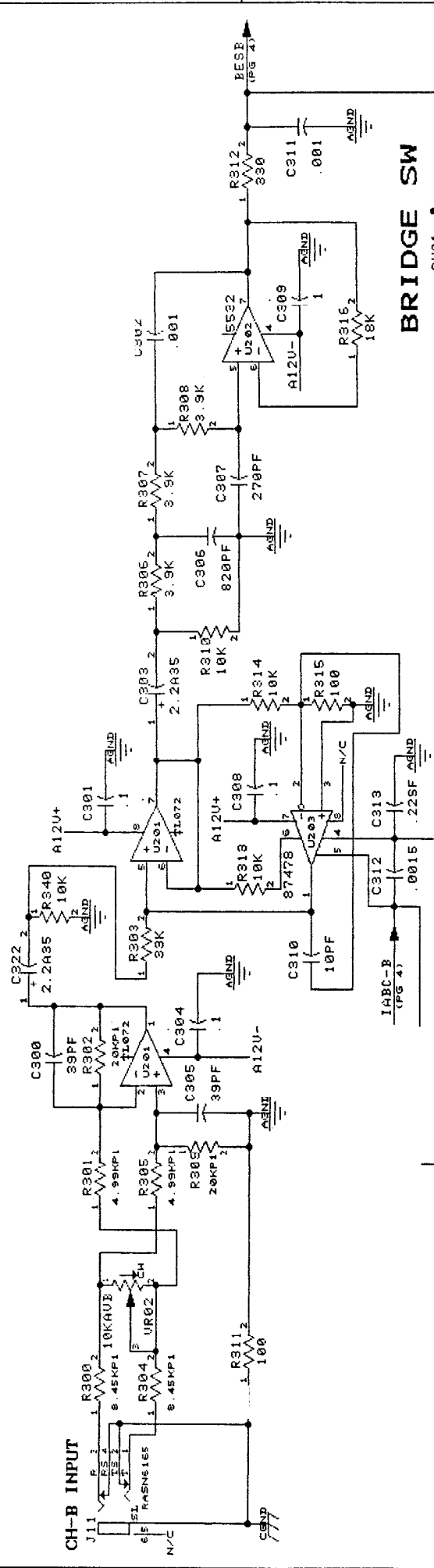
TITLE **DPC-750 INPUT**
SIZE **B** CODE NUMBER **XXXXXXXXXX**
REV

DATE **13-FEB-81** SHEET **2 of 7**



NOTE HIGHEST REF CR201 R228 C209 Q205 U102

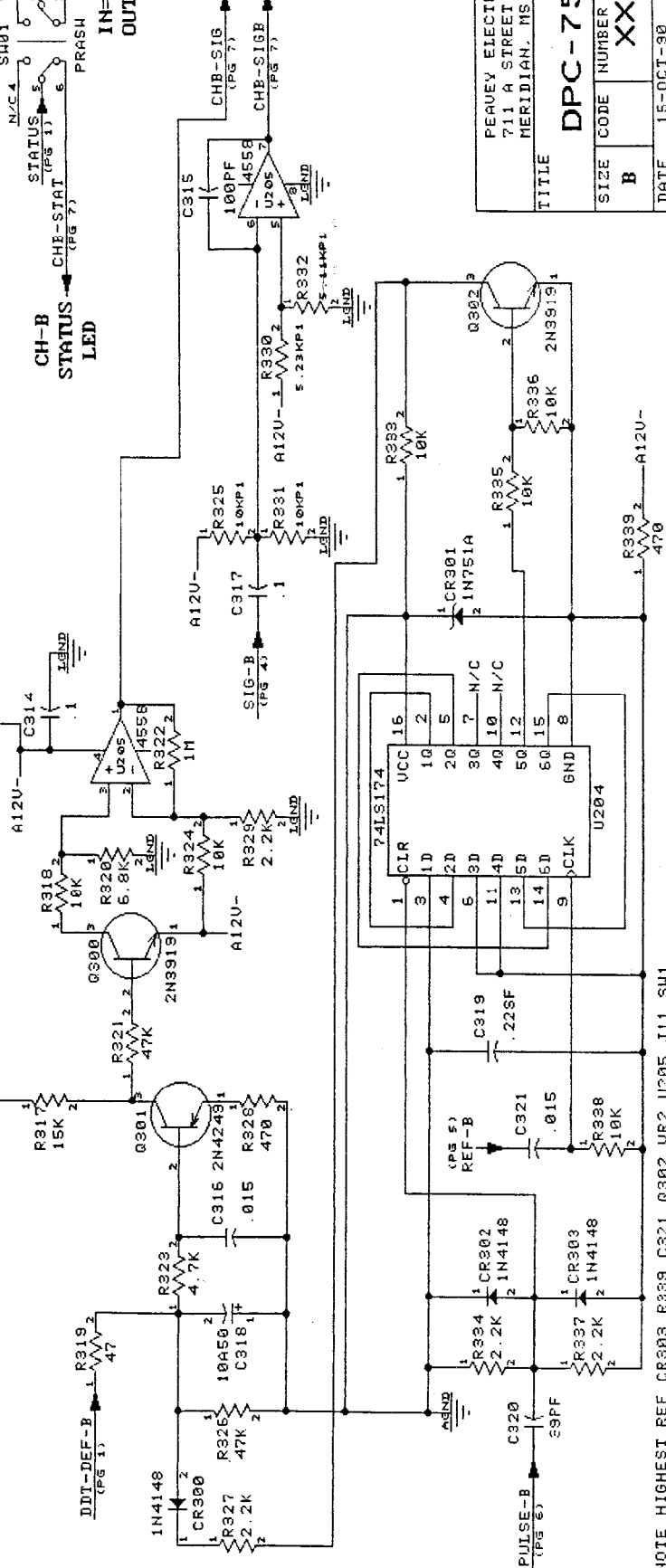
CH-B INPUT



BRIDGE SW
IN-BRIDGE MODE
OUT-STEREO MODE

CH-B STATUS LED

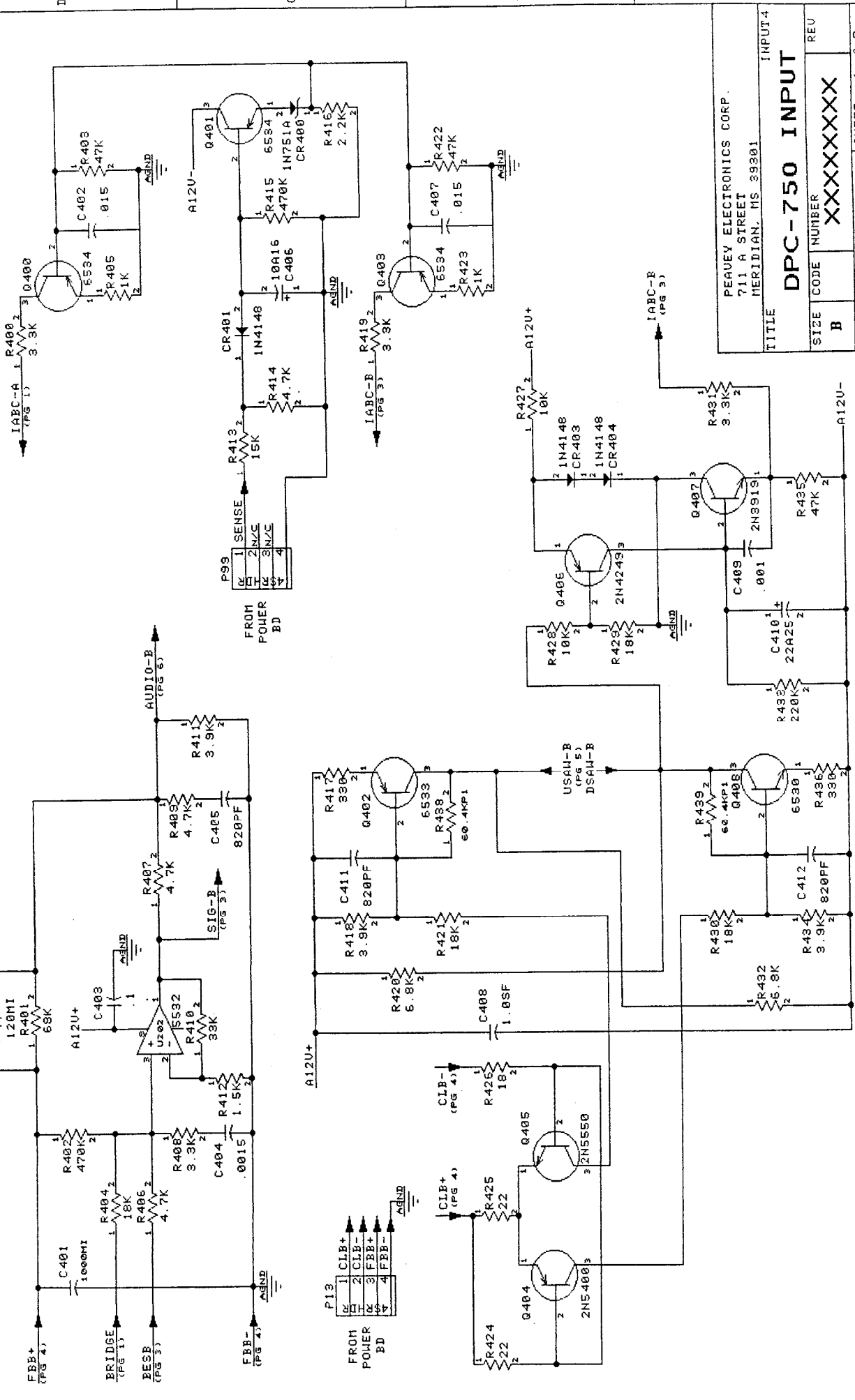
CH-B SIGNAL LED



PEAVEY ELECTRONICS CORP. 711 A STREET MERIDIAN, MS 39301	
TITLE	DPC-750 INPUT
SIZE	B
CODE	XXXXXXXX
NUMBER	XXXXXXXX
REV	
DATE	15-OCT-90
SHEET	3 of 7

NOTE HIGHEST REF CR303 R339 C321 Q302 UR2 U205 J11 SM1

D
C
B
A
1
2
3
4
5
6
7
8



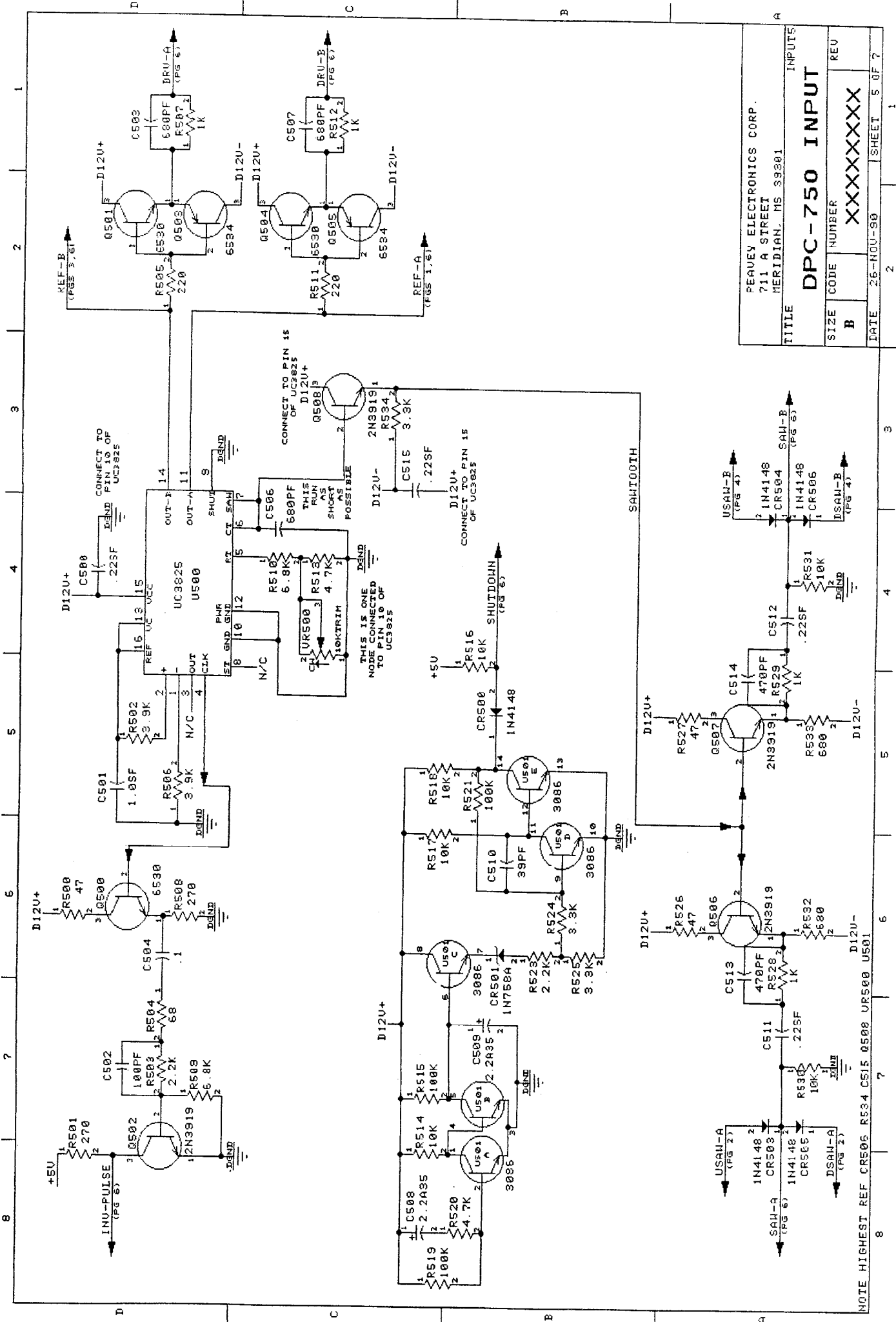
PEAVEY ELECTRONICS CORP.
711 A STREET
MERIDIAN, MS 39301

TITLE DPC-750 INPUT

SIZE	CODE	NUMBER	REV
B		XXXXXXXXXX	

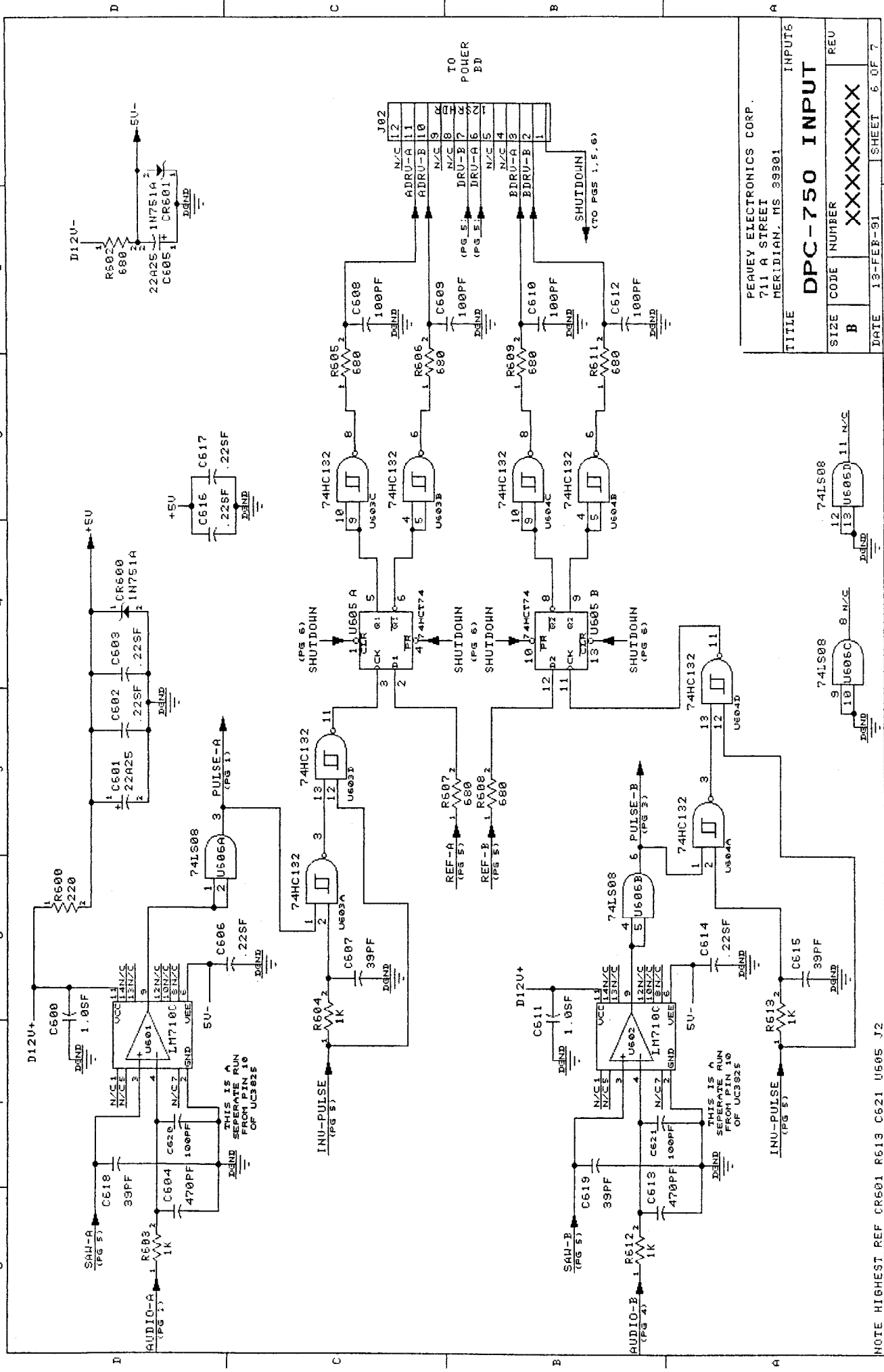
DATE 13-FEB-91 **SHEET** 4 of 7

NOTE HIGHEST REF CR404, R437, C412, 0408, U202



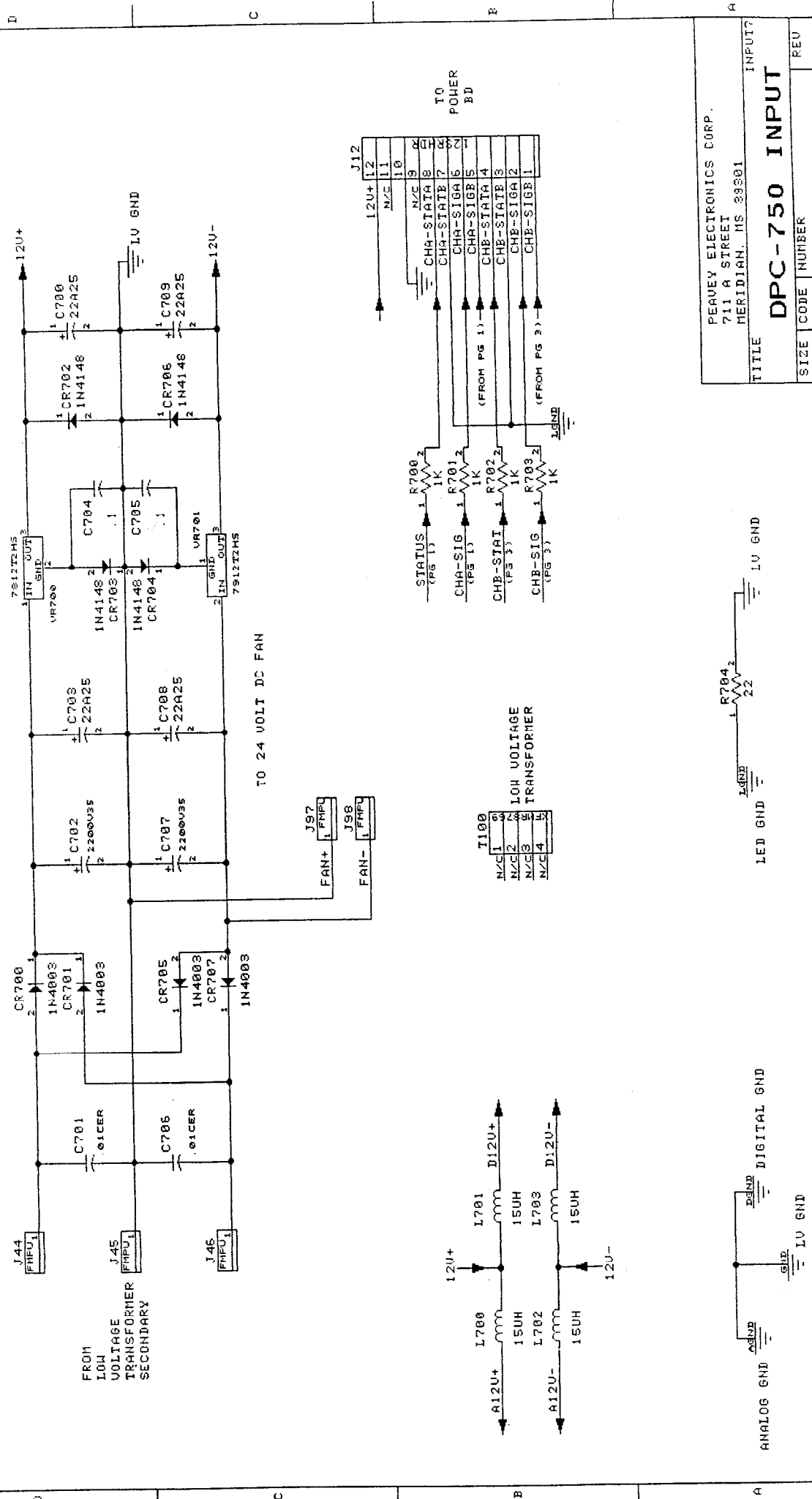
PEAVEY ELECTRONICS CORP. 711 A STREET MERIDIAN, MS 39301		INPUTS	
TITLE DPC-750 INPUT		SIZE B	REV XXXXXX
DATE 26-MAY-90	SHEET 5 OF 7		

NOTE HIGHEST REF CR506 R534 CS15 Q508 UR500 US01



PEAVEY ELECTRONICS CORP. 711 A STREET MERIDIAN, MS 39301	
TITLE DPC-750 INPUT	
SIZE B	CODE NUMBER XXXXXXXXX
DATE 13-FEB-91	SHEET 6 OF 7

NOTE HIGHEST REF C601 R613 C621 U605 J2



T100

N/C 1	6
N/C 2	7
N/C 3	8
N/C 4	9

10H VOLTAGE TRANSFORMER

J12

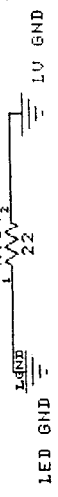
120+	12
N/Z	11
10	10
CHA-STAT 8	8
CHA-STAT 7	7
CHA-SIG 6	6
CHA-SIG 5	5
CHE-STAT 4	4
CHE-STAT 3	3
CHE-SIG 2	2
CHE-SIG 1	1

PEARVEY ELECTRONICS CORP.
711 A STREET
MERIDIAN, MS 39301

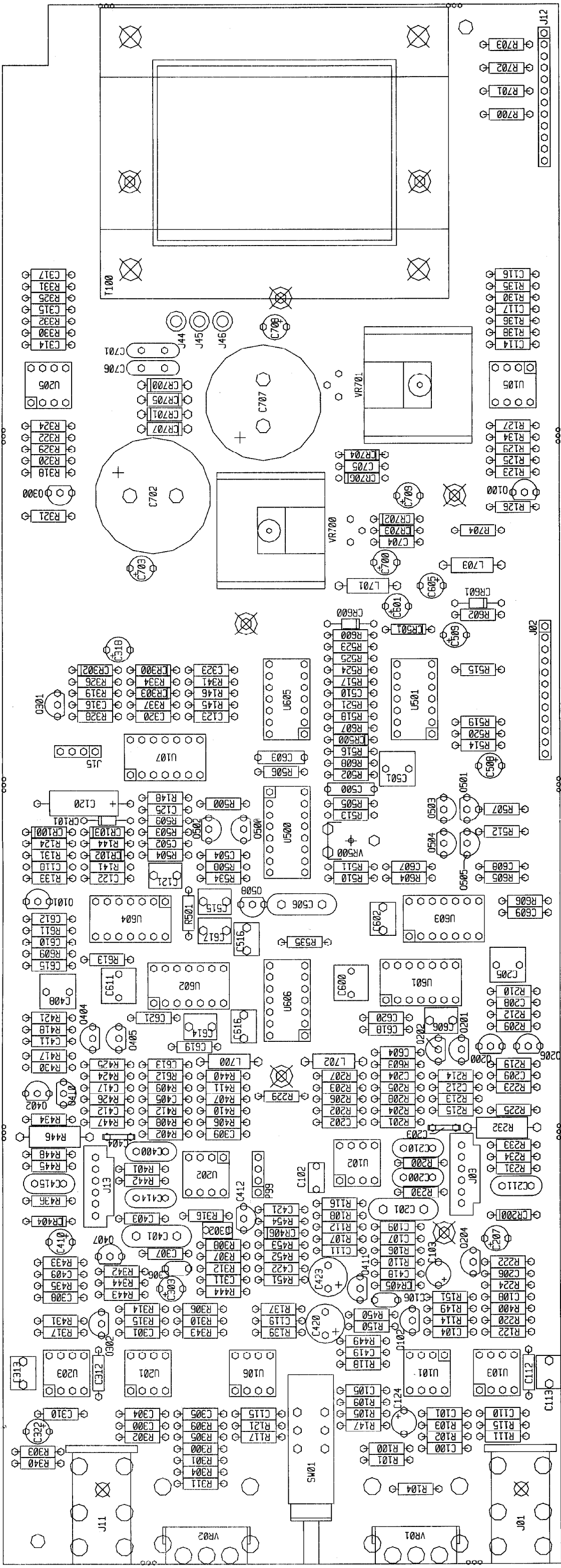
TITLE DPC-750 INPUT

SIZE	CODE	NUMBER	REV
B		XXXXXXXXXX	

DATE 15-OCT-90 SHEET 7 OF 7



NOTE HIGHEST REF CR707 R704 C709 L703 UR701 J98 T100



DPC 750 Input

1	3.3K	70240022	3.3K-1/4W-5%-CF-T&R	1	3.3K	70240022	3.3K-1/4W-5%-CF-T&R	1	100K	100K	70240034	100K-1/4W-5%-CF-T&R
1	18K	70240028	18K-1/4W-5%-CF-T&R	1	82K	70240033	82K-1/4W-5%-CF-T&R	1	2.2K	2.2K	70240020	2.2K-1/4W-5%-CF-T&R
3	2.2	70240007	2.2-1/4W-5%-CF-T&R	1	680K	70240065	680K-1/4W-5%-CF-T&R	3	3.3K	3.3K	70240022	3.3K-1/4W-5%-CF-T&R
1	18K	70240028	18K-1/4W-5%-CF-T&R	2	4.7K	70240023	4.7K-1/4W-5%-CF-T&R	1	10K	10K	70240025	10K-1/4W-5%-CF-T&R
1	3.3K	70240022	3.3K-1/4W-5%-CF-T&R	1	3.3K	70240022	3.3K-1/4W-5%-CF-T&R	1	220	220	70240058	220-1/4W-5%-CF-T&R
1	220K	70240036	220K-1/4W-5%-CF-T&R	1	4.7K	70240023	4.7K-1/4W-5%-CF-T&R	1	680	680	70240016	680-1/4W-5%-CF-T&R
1	3.3K	70240022	3.3K-1/4W-5%-CF-T&R	1	33K	70240030	33K-1/4W-5%-CF-T&R	2	1K	1K	70240017	1K-1/4W-5%-CF-T&R
1	4.7K	70240031	4.7K-1/4W-5%-CF-T&R	1	3.9K	70241093	3.9K-1/4W-5%-CF-T&R	2	560	560	70240050	560-1/4W-5%-CF-T&R
1	2.2	70240007	2.2-1/4W-5%-CF-T&R	1	1.5K	70240018	1.5K-1/4W-5%-CF-T&R	2	680	680	70240016	680-1/4W-5%-CF-T&R
1	220K	70240036	220K-1/4W-5%-CF-T&R	1	22	70240007	22-1/4W-5%-CF-T&R	2	560	560	70240050	560-1/4W-5%-CF-T&R
1	68K	70240032	68K-1/4W-5%-CF-T&R	1	3.3K	70240022	3.3K-1/4W-5%-CF-T&R	6	1K	1K	70240017	1K-1/4W-5%-CF-T&R
1	10K	70240025	10K-1/4W-5%-CF-T&R	1	18K	70240028	18K-1/4W-5%-CF-T&R	1	22	22	70240007	22-1/4W-5%-CF-T&R
1	10K	70240025	10K-1/4W-5%-CF-T&R	3	22	70240007	22-1/4W-5%-CF-T&R	3	187SOMD	70900924	70900924	70900924
1	3.3K	70240022	3.3K-1/4W-5%-CF-T&R	1	18K	70240028	18K-1/4W-5%-CF-T&R	1	187SOMB	70900935	70900935	70900935
1	1K	70240017	1K-1/4W-5%-CF-T&R	1	3.3K	70240022	3.3K-1/4W-5%-CF-T&R	20	187SOMD	70900924	70900924	70900924
1	8.45KP1	70241010	8.45K-1/4W-1%-MF-T&R	1	220K	70240036	220K-1/4W-5%-CF-T&R	1	4560	4560	70414560	4560 DUAL OP AMP IC
1	4.99KP1	70241060	4.99K-1/4W-1%-MF-T&R	1	3.3K	70240022	3.3K-1/4W-5%-CF-T&R	1	5532	5532	70405532	NE5532FE DUAL LO-NOISE
1	30.1KP1	70241031	30.1K-1/4W-1%-MF-T&R	1	4.7K	70240031	4.7K-1/4W-5%-CF-T&R	1	13080	13080	70413080	LM3080N CUSTOM SELECTED
1	33K	70240030	33K-1/4W-5%-CF-T&R	1	22	70240007	22-1/4W-5%-CF-T&R	1	4558	4558	70404558	IC RC-4558, P DUAL BI-PKG 10
1	8.45KP1	70241010	8.45K-1/4W-1%-MF-T&R	1	220K	70240036	220K-1/4W-5%-CF-T&R	1	4560	4560	70414560	4560 DUAL OP AMP IC
1	4.99KP1	70241050	4.99K-1/4W-1%-MF-T&R	1	68K	70240032	68K-1/4W-5%-CF-T&R	1	4558	4558	70414560	4560 DUAL OP AMP IC
1	2.7K	70240021	2.7K-1/4W-5%-CF-T&R	1	3.3K	70240022	3.3K-1/4W-5%-CF-T&R	1	HC74	74HC74	70430074	74HC74 CMOS DUAL FLIP FLOP
2	5.62KP1	70241098	5.62K-1/4W-1%-MF-T&R	2	10K	70240025	10K-1/4W-5%-CF-T&R	1	4560	4560	70414560	4560 DUAL OP AMP IC
1	30.1KP1	70241031	30.1K-1/4W-1%-MF-T&R	1	10K	70210018	10K-1W-5%-MO-T&R	1	HC74	74HC74	70430074	74HC74 CMOS DUAL FLIP FLOP
1	10K	70240025	10K-1/4W-5%-CF-T&R	1	3.3K	70240022	3.3K-1/4W-5%-CF-T&R	1	4560	4560	70414560	4560 DUAL OP AMP IC
1	100	70240010	100-1/4W-5%-CF-T&R	1	1K	70240017	1K-1/4W-5%-CF-T&R	1	5532	5532	70405532	NE5532FE DUAL LO-NOISE
1	330	70240014	330-1/4W-5%-CF-T&R	1	4.7K	70240031	4.7K-1/4W-5%-CF-T&R	1	13080	13080	70413080	LM3080N CUSTOM SELECTED
1	22K	70240029	22K-1/4W-5%-CF-T&R	1	33K	70240030	33K-1/4W-5%-CF-T&R	1	4558	4558	70404558	IC RC-4558, P DUAL BI-PKG 10
1	100	70240010	100-1/4W-5%-CF-T&R	1	220K	70240036	220K-1/4W-5%-CF-T&R	1	ML4825	ML4825	70404825	ML4825-PWM-IC
1	18K	70240028	18K-1/4W-5%-CF-T&R	1	4.7K	70240031	4.7K-1/4W-5%-CF-T&R	1	3086	70423086	70423086	LM3086 OR CA3086 TRANSISTOR ARRAY
1	15K	70240027	15K-1/4W-5%-CF-T&R	1	33K	70240030	33K-1/4W-5%-CF-T&R	2	LM710C	LM710C	70420710	VOLTAGE COMPARATOR
1	10K	70240025	10K-1/4W-5%-CF-T&R	1	220K	70240036	220K-1/4W-5%-CF-T&R	2	74HC132	74HC132	70400132	74HC132 QUAD 2-INPUT NAND
1	4.7	70240008	4.7-1/4W-5%-CF-T&R	1	47	70240008	47-1/4W-5%-CF-T&R	1	74HC74	74HC74	70430074	74HC74 CMOS DUAL FLIP FLOP
1	6.8K	70240024	6.8K-1/4W-5%-CF-T&R	1	270	70240013	270-1/4W-5%-CF-T&R	1	74LS08	70420108	70420108	DUAL INPUT AND GATE
1	4.7K	70240031	4.7K-1/4W-5%-CF-T&R	1	3.9K	70241093	3.9K-1/4W-5%-CF-T&R	2	10KAVB	71190528	71190528	10K 208 AUD MIN VPC W/BRAKETS
1	1M	70240039	1M-1/4W-5%-CF-T&R	1	2.2K	70240020	2.2K-1/4W-5%-CF-T&R	1	10KTRIM	10KTRIM	71190009	10K LIN HOR, FC MNT TRIM POT
1	10K	70240025	10K-1/4W-5%-CF-T&R	1	68	70240009	68-1/4W-5%-CF-T&R	1	7812T2HS	7812	70427812	MC 7812 CT REG
1	10KP1	70241050	10K-1/4W-1%-MF-T&R	1	220	70240058	220-1/4W-5%-CF-T&R	1	7912T2HS	7912	70427912	VR CT REG
1	4.7K	70240031	4.7K-1/4W-5%-CF-T&R	1	3.9K	70241093	3.9K-1/4W-5%-CF-T&R	1	7912T2HS	7912	70427912	VR CT REG
1	470	70240015	470-1/4W-5%-CF-T&R	1	1K	70240017	1K-1/4W-5%-CF-T&R	1	*****	*****	*****	*****
1	2.2K	70240020	2.2K-1/4W-5%-CF-T&R	1	270	70240013	270-1/4W-5%-CF-T&R	1	*****	*****	*****	*****
1	5.23KP1	70241071	5.23K-1/4W-1%-MF-T&R	2	6.8K	70240024	6.8K-1/4W-5%-CF-T&R	1	*****	*****	*****	*****
1	10KP1	70241050	10K-1/4W-1%-MF-T&R	1	220	70240058	220-1/4W-5%-CF-T&R	1	*****	*****	*****	*****
1	4.99KP1	70241060	4.99K-1/4W-1%-MF-T&R	1	1K	70240017	1K-1/4W-5%-CF-T&R	1	*****	*****	*****	*****
2	2.2K	70240020	2.2K-1/4W-5%-CF-T&R	1	4.7K	70210023	4.7K-1/4W-5%-CF-T&R	1	*****	*****	*****	*****
1	10K	70240025	10K-1/4W-5%-CF-T&R	1	10K	70240025	10K-1/4W-5%-CF-T&R	1	*****	*****	*****	*****
1	4.7K	70240023	4.7K-1/4W-5%-CF-T&R	1	100K	70240034	100K-1/4W-5%-CF-T&R	1	*****	*****	*****	*****
1	12K	70240057	12K-1/4W-5%-CF-T&R	3	10K	70240025	10K-1/4W-5%-CF-T&R	1	*****	*****	*****	*****
1	10K	70240025	10K-1/4W-5%-CF-T&R	1	100K	70240034	100K-1/4W-5%-CF-T&R	1	*****	*****	*****	*****
1	4.7K	70240023	4.7K-1/4W-5%-CF-T&R	1	100K	70240034	100K-1/4W-5%-CF-T&R	1	*****	*****	*****	*****
1	12K	70240057	12K-1/4W-5%-CF-T&R	3	10K	70240025	10K-1/4W-5%-CF-T&R	1	*****	*****	*****	*****
1	10K	70240025	10K-1/4W-5%-CF-T&R	1	100K	70240034	100K-1/4W-5%-CF-T&R	1	*****	*****	*****	*****
1	4.7K	70240023	4.7K-1/4W-5%-CF-T&R	1	4.7K	70240023	4.7K-1/4W-5%-CF-T&R	1	*****	*****	*****	*****