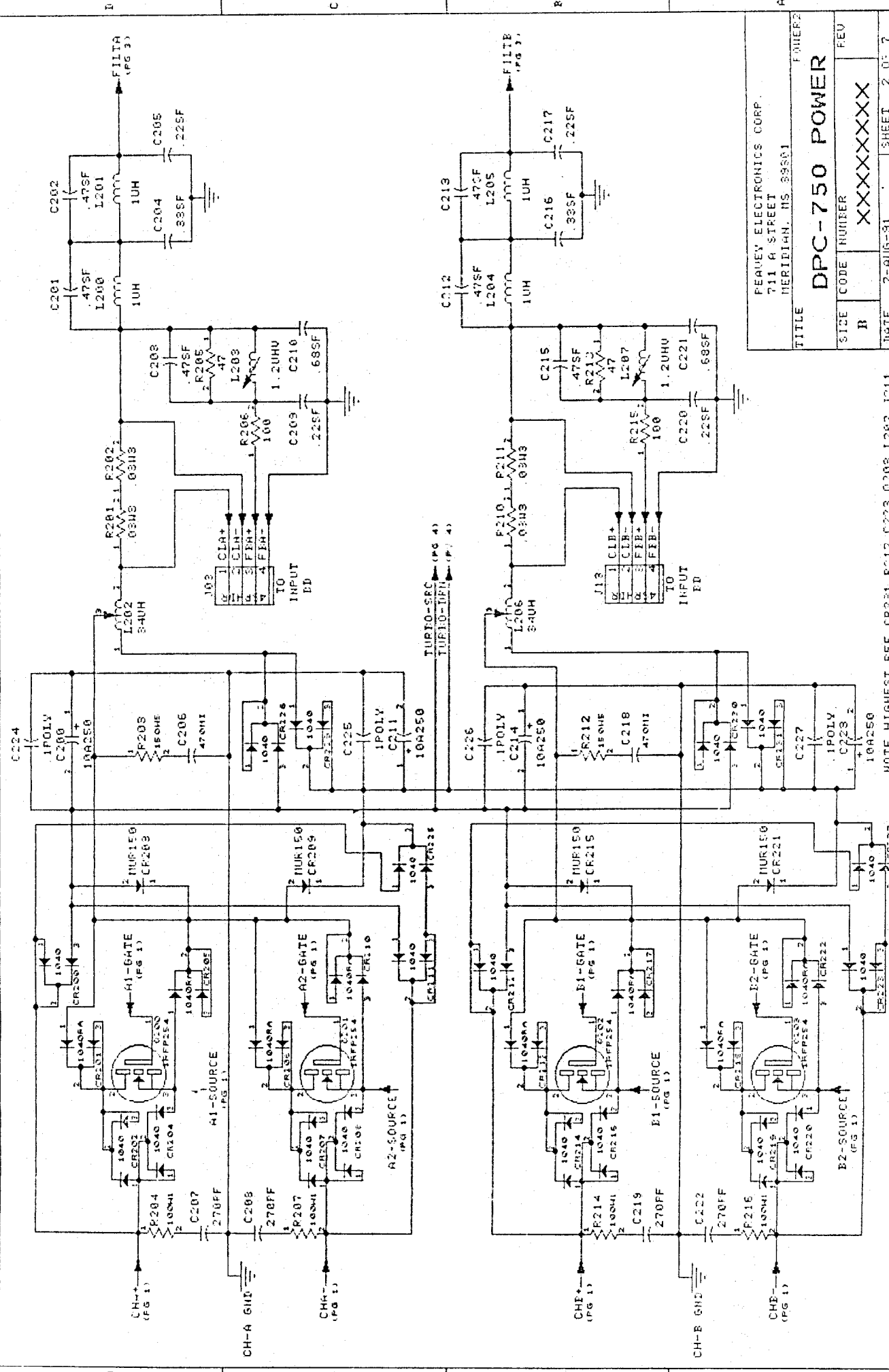


12	FROM INPUT	ED
11	12V	
10	5V	
9	12V	
8	12V	
7	12V	
6	12V	
5	12V	
4	12V	
3	12V	
2	12V	
1	12V	

TITLE: POWER
 F100 ELECTRONICS CORP.
 711 A STREET
 MERIDIAN, MS 3901

SIZE: B
 CODE: XXXXXXXXXX
 NUMBER: 1 OF 7
 DATE: 5-AUG-91
 SHEET: 1 OF 7

ROUTE: REF U101 R110 C115 D102 T104 U103 J355



FAHREF2

FEU

FEU

XXXXXXXXXX

DATE 7-AUG-91

SHEET 2 OF 7

2

3

4

5

6

7

8

9

10

11

12

13

14

15

16

17

18

19

20

21

22

23

24

25

26

27

28

29

30

31

32

33

34

35

36

37

38

39

40

41

42

43

44

45

46

47

48

49

50

51

52

53

54

55

56

57

58

59

60

61

62

63

64

65

66

67

68

69

70

71

72

73

74

75

76

77

78

79

80

81

82

83

84

85

86

87

88

89

90

91

92

93

94

95

96

97

98

99

100

FEAVEY ELECTRONICS CORP.

711 R STREET

MERIDIAN, MS 39301

TITLE DPC-750 POWER

SIZE CODE NUMBER

R

XXXXXXXXXX

DATE 7-AUG-91

SHEET 2 OF 7

2

3

4

5

6

7

8

9

10

11

12

13

14

15

16

17

18

19

20

21

22

23

24

25

26

27

28

29

30

31

32

33

34

35

36

37

38

39

40

41

42

43

44

45

46

47

48

49

50

51

52

53

54

55

56

57

58

59

60

61

62

63

64

65

66

67

68

69

70

71

72

73

74

75

76

77

78

79

80

81

82

83

84

85

86

87

88

89

90

91

92

93

94

95

96

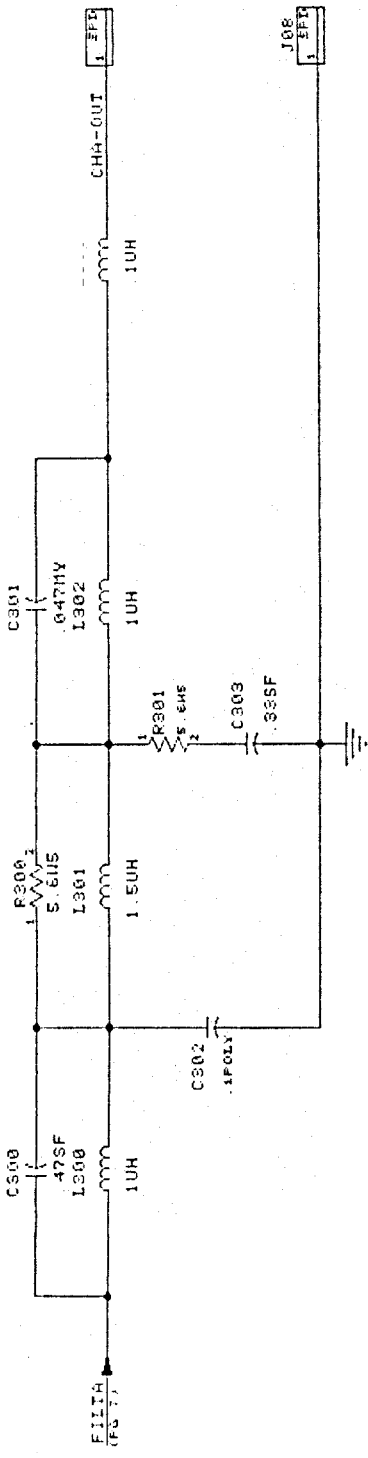
97

98

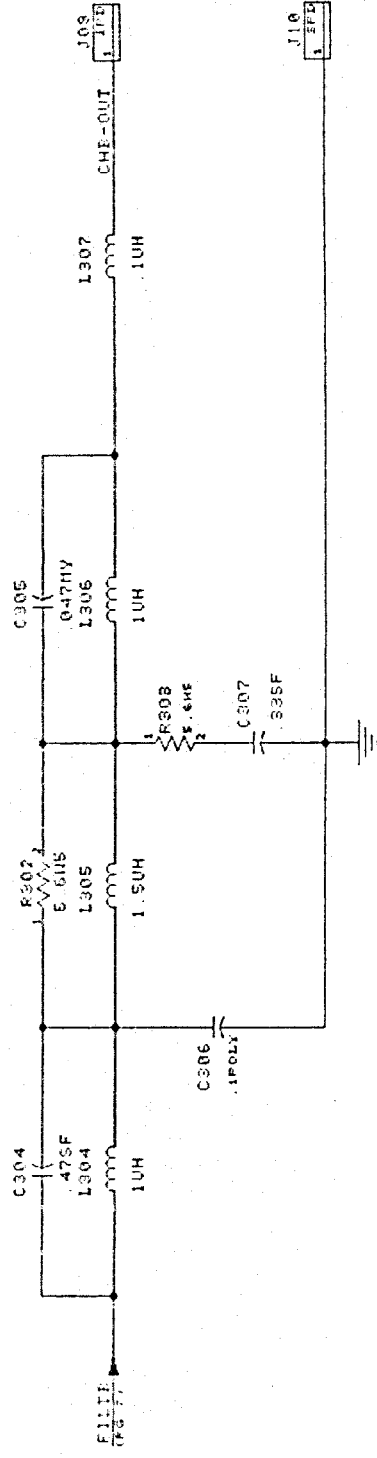
99

100

NOTE HIGHEST REF. CR231 R217 C223 C208 L207 J211



CH-A OUTPUT
TO BACK BD

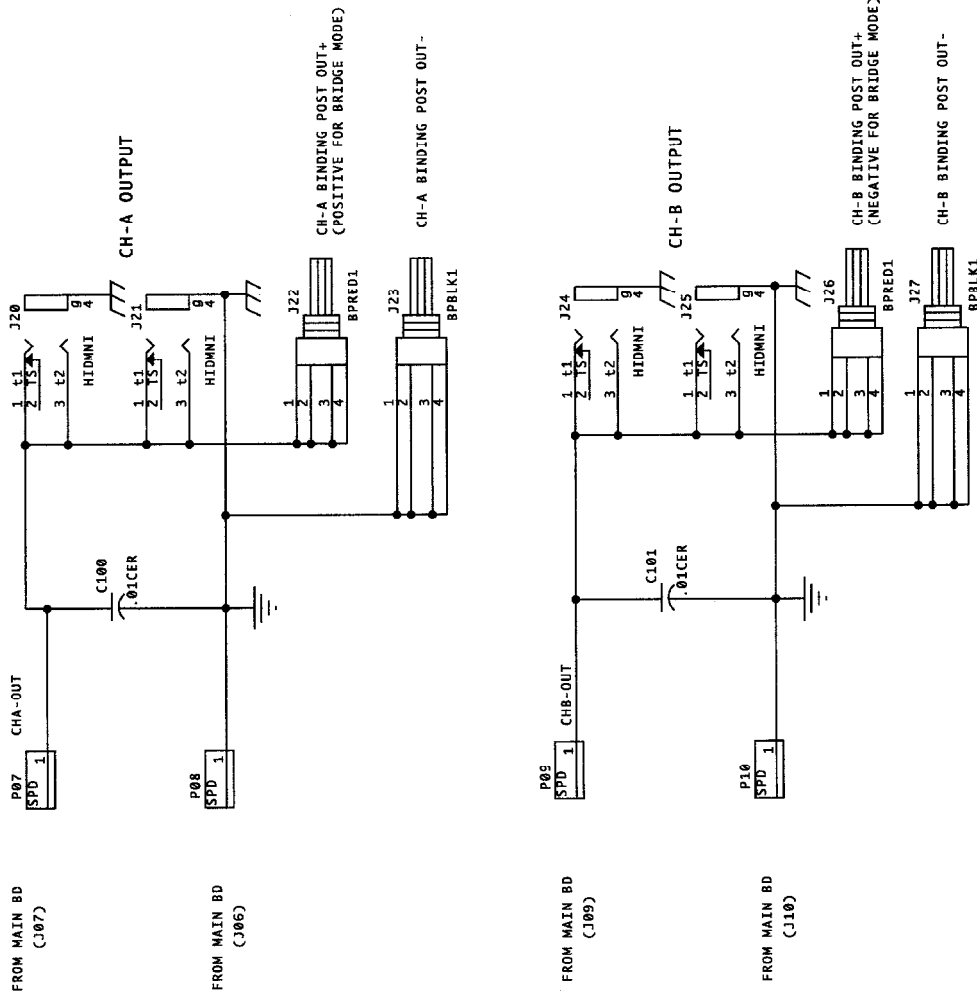


CH-B OUTPUT
TO BACK BD

PEAVEY ELECTRONICS CORP. 711 A STREET MERIDIAN, MS 39301		FOI/EFS	
TITLE DPC-750 POWER		SIZE B	NUMBER XXXXXXXXXX
DATE 18-OCT-90	SHEET 2	OF 7	

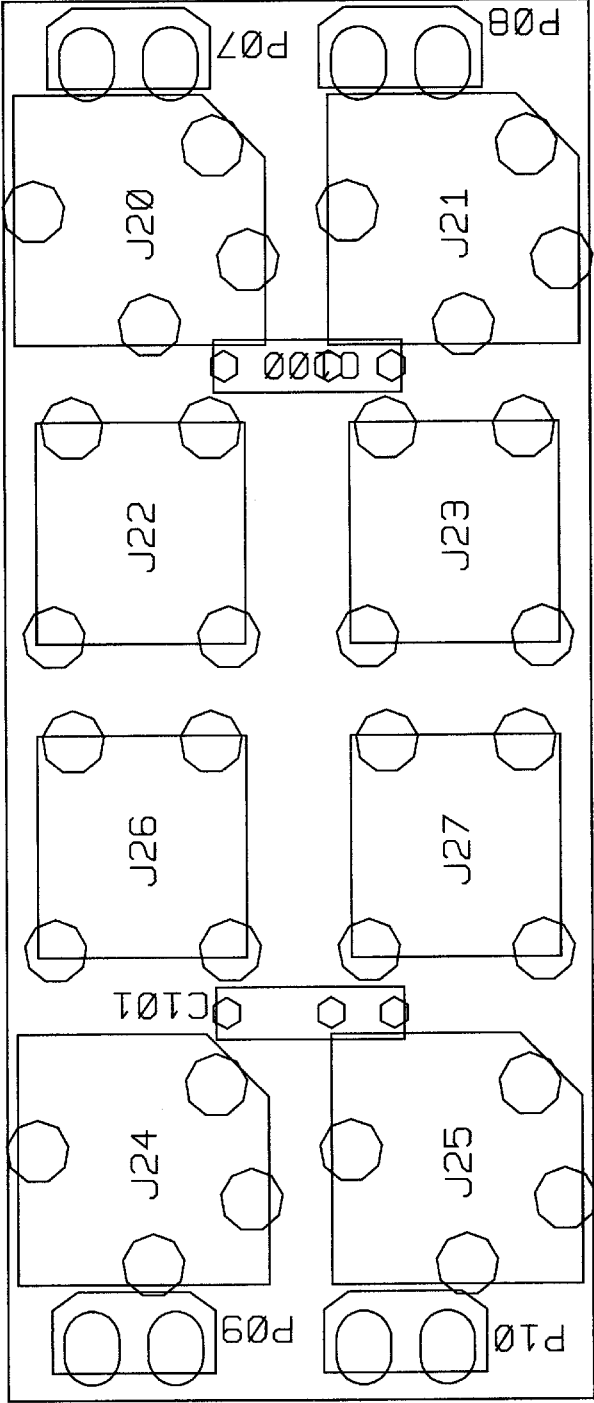
NOTE HIGHEST REF R303 C307 L307 J16

NOTICE: THIS CIRCUITRY IS PROTECTED BY U.S. PATENT NOS. 4,318,053 AND 4,992,751. FOREIGN #'S 609656 64356 2,009,775 173,212 49567 0,386,933 P 690 11 550,4-08 (PATENTS PENDING) OWNED BY PEAVEY ELECTRONICS CORP. USE OR COPYING WITHOUT EXPRESS WRITTEN AUTHORITY FROM PEAVEY IS STRICTLY FORBIDDEN AND VIOLATORS WILL BE PROSECUTED TO THE FULLEST EXTENT ALLOWED UNDER U.S. PATENT LAWS.



PEAVEY ELECTRONICS CORP.
711 A STREET
MERIDIAN, MS 39301

TITLE DPC-1000 BACK			
SIZE B	CODE	NUMBER 99095820	REV
DATE 31-MAY-95		#81502384	
SHEET		1 OF 1	

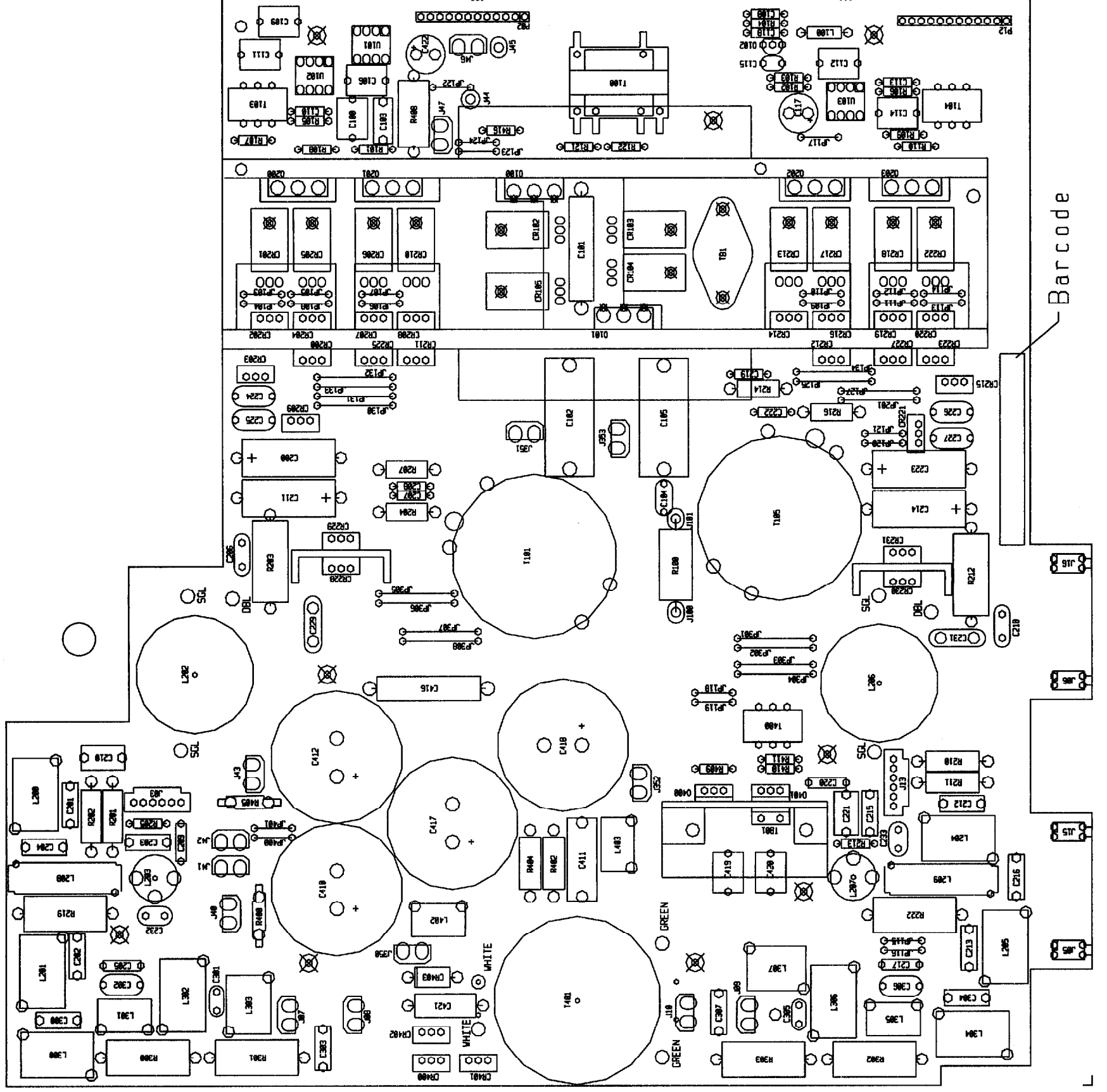


DPC BACK

BOARD NAME: BACK BD
 ASSEMBLY LEVEL NUMBER: 99095820

QTY.	NAME	VALUE	PART NUMBER	DESCRIPTION AND DEVICE DESIGNATIONS
2	.01CER	.01CER	70320099	.01 MFD 1000VDC CD -UNCUT C100, C101
2	HIDMNI	71466214	71466214	2 TIP HID JACK NINS W/SPD J20, J21
1	BPRED1	71466201	71466201	BINDING POST PC RED-90 J22
1	BPBLK1	71466200	71466200	BINDING POST PC BLK-90 J23
2	HIDMNI	71466214	71466214	2 TIP HID JACK NINS W/SPD J24, J25
1	BPRED1	71466201	71466201	BINDING POST PC RED-90 J26
1	BPBLK1	71466200	71466200	BINDING POST PC BLK-90 J27
4	SPD	73716194	73716194	.250 PC MNT SPADE .093 PCB P07, P08, P09, P10

(C) DO NOT INSERT JP400 & JP401 for:
EXPORT VERSION(S)
(DPC750, DPC1000)



DPC 750 Power Amp

