

DMG.No. AS50-61-02

TITLE REAR PCB sht 1 of 1
 DWG.No AS50-61-02 ISS 1



AS50R
 MODEL

DATE 8/6/98
 DATE
 DATE

DATE
 DATE

DATE
 DATE

DATE
 DATE

DATE
 DATE

DATE
 DATE

DATE
 DATE

CAUTION:
 DO NOT OPERATE INTO 4-OHM RESISTIVE
 LOAD UNDER FULL POWER CONDITIONS FOR
 MORE THAN 15 MINS.

ATTENTION: UTILISER UN FUSIBLE DE MEME TYPE
CAUTION: REPLACE FUSES ONLY WITH SAME TYPE AND RATING
 117v=1.6AL
 230v=1800mAL

MAINS TRANSFORMER

CHASSIS

DIMENSIONS IN	
TOLERANCE (UNLESS OTHERWISE STATED)	
MATERIAL	
DRAWN	S.G.
CHECKED	DATE
APPROVED	DATE

ALL OTHER HOLES =	
A	N
B	P
C	Q
D	R
E	S
F	T
G	U
H	V
I	W
J	X
K	Y
L	Z
M	
N	
O	
P	
Q	
R	
S	
T	
U	
V	
W	
X	
Y	
Z	

APPROVAL INFO ADDED	
ECO NUMBER	
DATE	

DATE	
------	--

DATE	
------	--

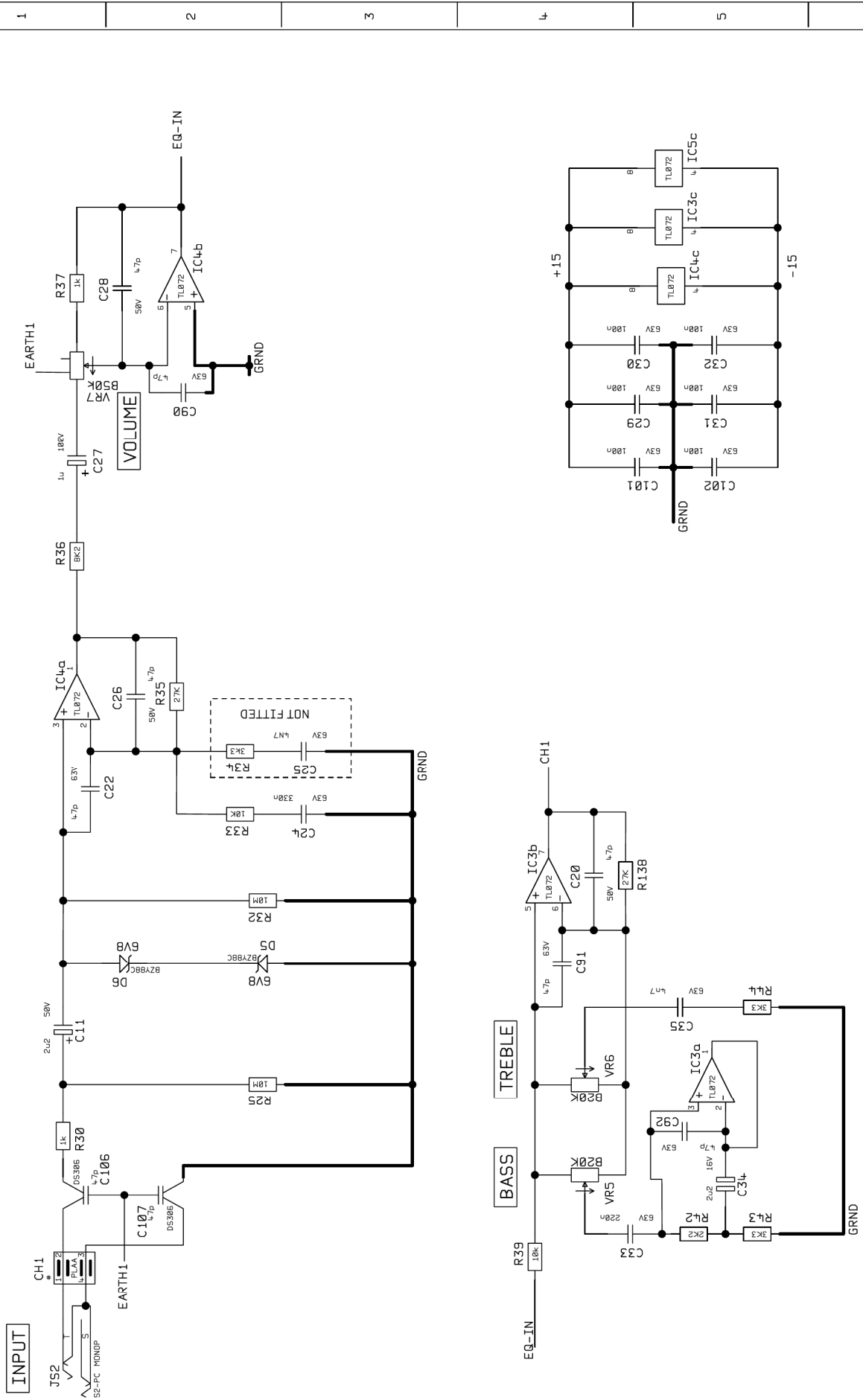
DATE	
------	--

DATE	
------	--

DATE	
------	--

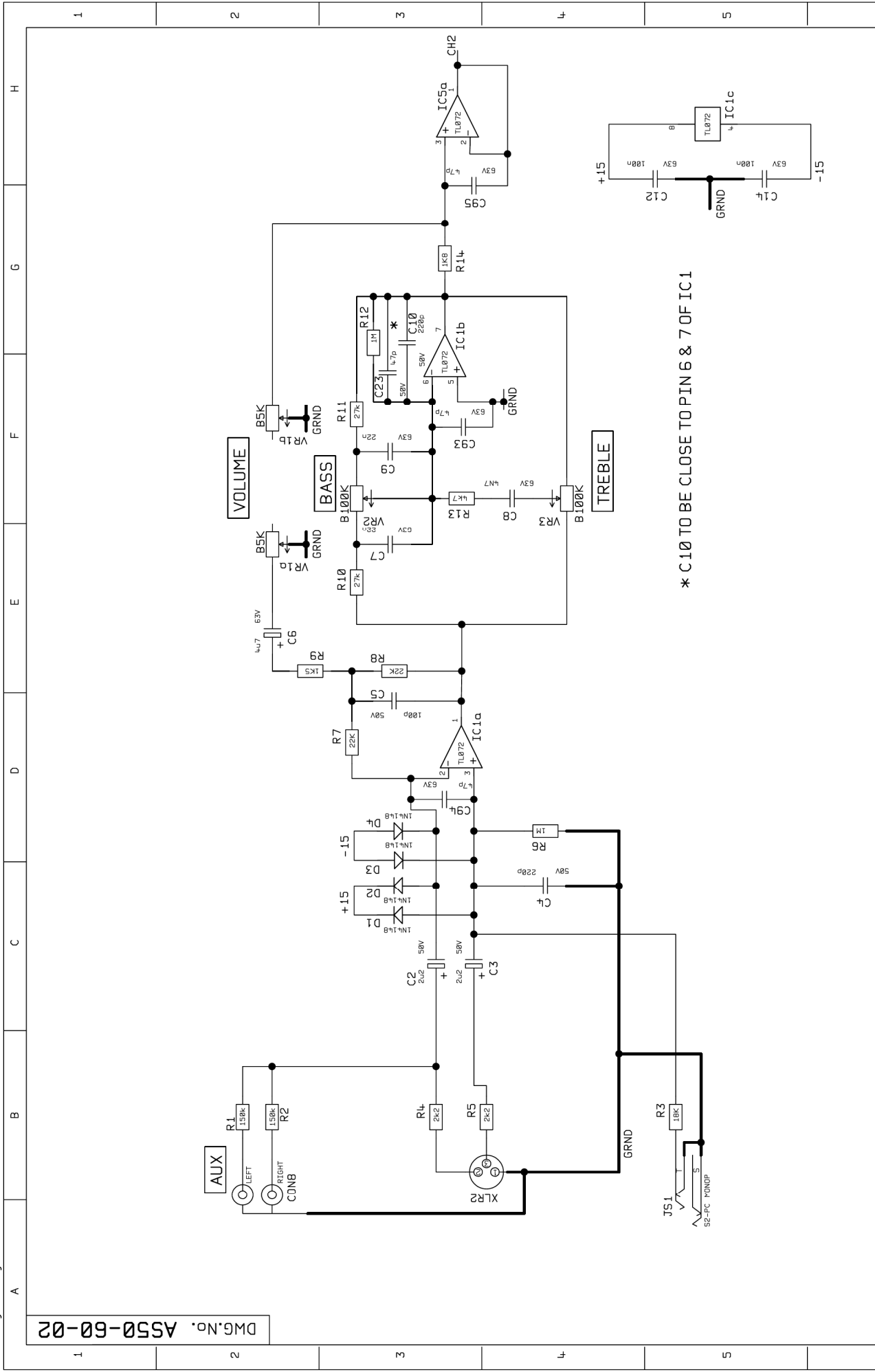
ignorelayers 4

DWG.No. AS50-60-02



DIMENSIONS IN		TOLERANCE (UNLESS OTHERWISE STATED)	
MATERIAL	DATE	DATE	DATE
DRAMAN	L.V.	18/5/98	
CHECKED	DATE		
APPROVED	DATE		
ALL OTHER HOLES =		X = (THROUGH PLATED)	
A	E	J	N
B	F	K	P
C	G	L	Q
D	H	M	R
ECD NUMBER		DATE	
3 cap c23 added sht2		9-12-99	
2 VR1 now tandem		9-11-99	
ISS		ISS	
AS50-60-02		AS50-60-02	
PREAMP INSTRUMENT CH1		PREAMP INSTRUMENT CH1	
TITLE		TITLE	
AS50-60-02		AS50-60-02	
MARSHALL APPLICATION PAC		MARSHALL APPLICATION PAC	
DEBEN ROAD, BLITCHLEY, WILTON KENNES, MK1 1DL		DEBEN ROAD, BLITCHLEY, WILTON KENNES, MK1 1DL	
TEL: 01908 37051 FAX: 01908 370118		TEL: 01908 37051 FAX: 01908 370118	
MARSHALL		MARSHALL	
sht 1 of 6		sht 1 of 6	

1 2 3 4 5 6 A B C D E F G H

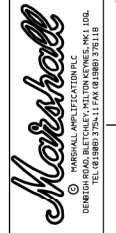


* C10 TO BE CLOSE TO PIN 6 & 7 OF IC1

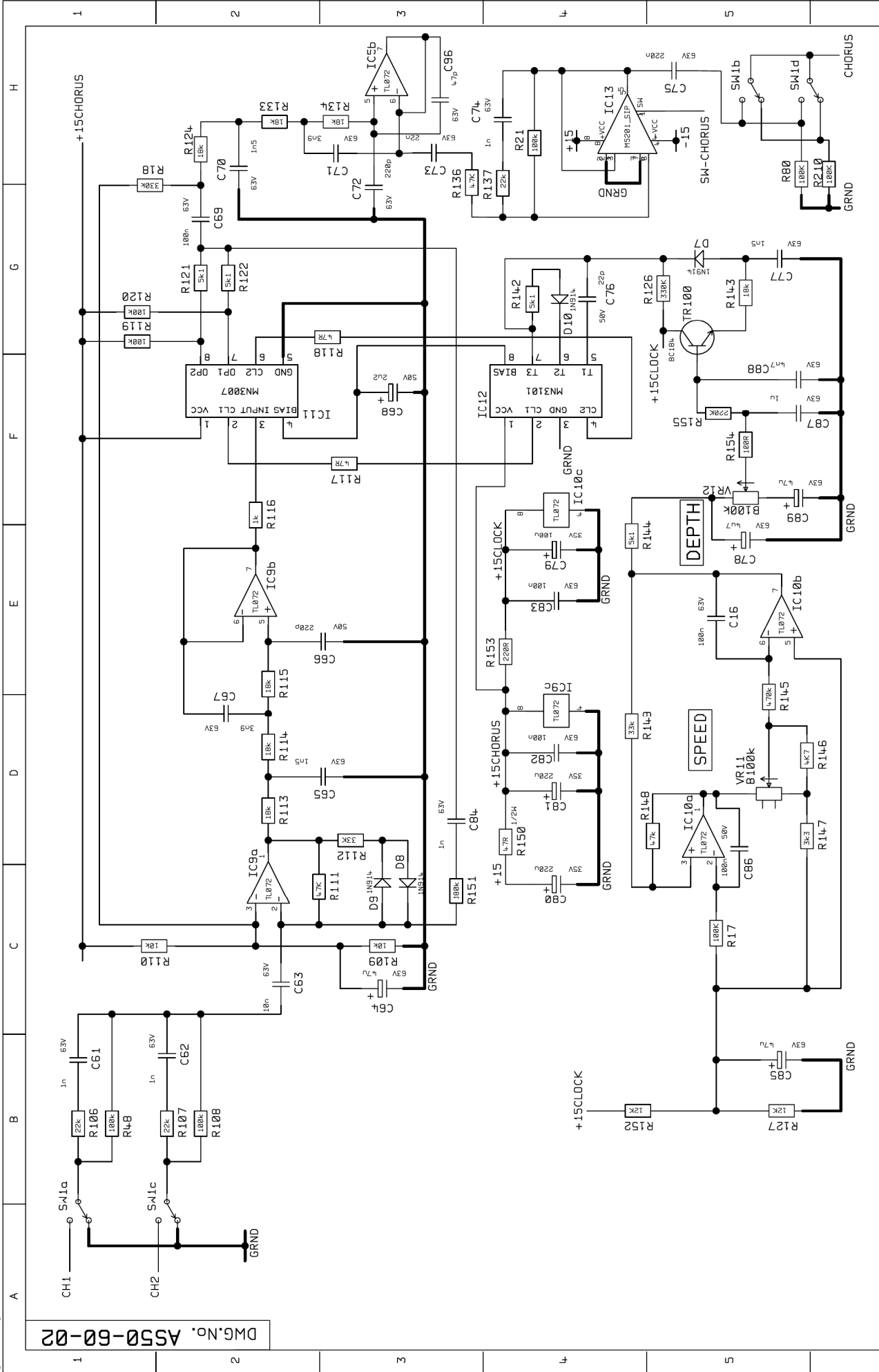
DMG.No. AS50-60-02

DIMENSIONS IN		TOLERANCE (UNLESS OTHERWISE STATED)	
DRAWN	L.V.	DATE	18/5/98
CHECKED		DATE	
APPROVED		DATE	

MODEL		AS50R	
TITLE		sht 2 of 6	
PREAMP		MICROPHONE CH2	
Dwg.No		AS50-60-02	
ISS		3	



ALL OTHER HOLES =	
A	N
B	P
C	Q
D	R
DATE	



DMG.No. AS50-60-02

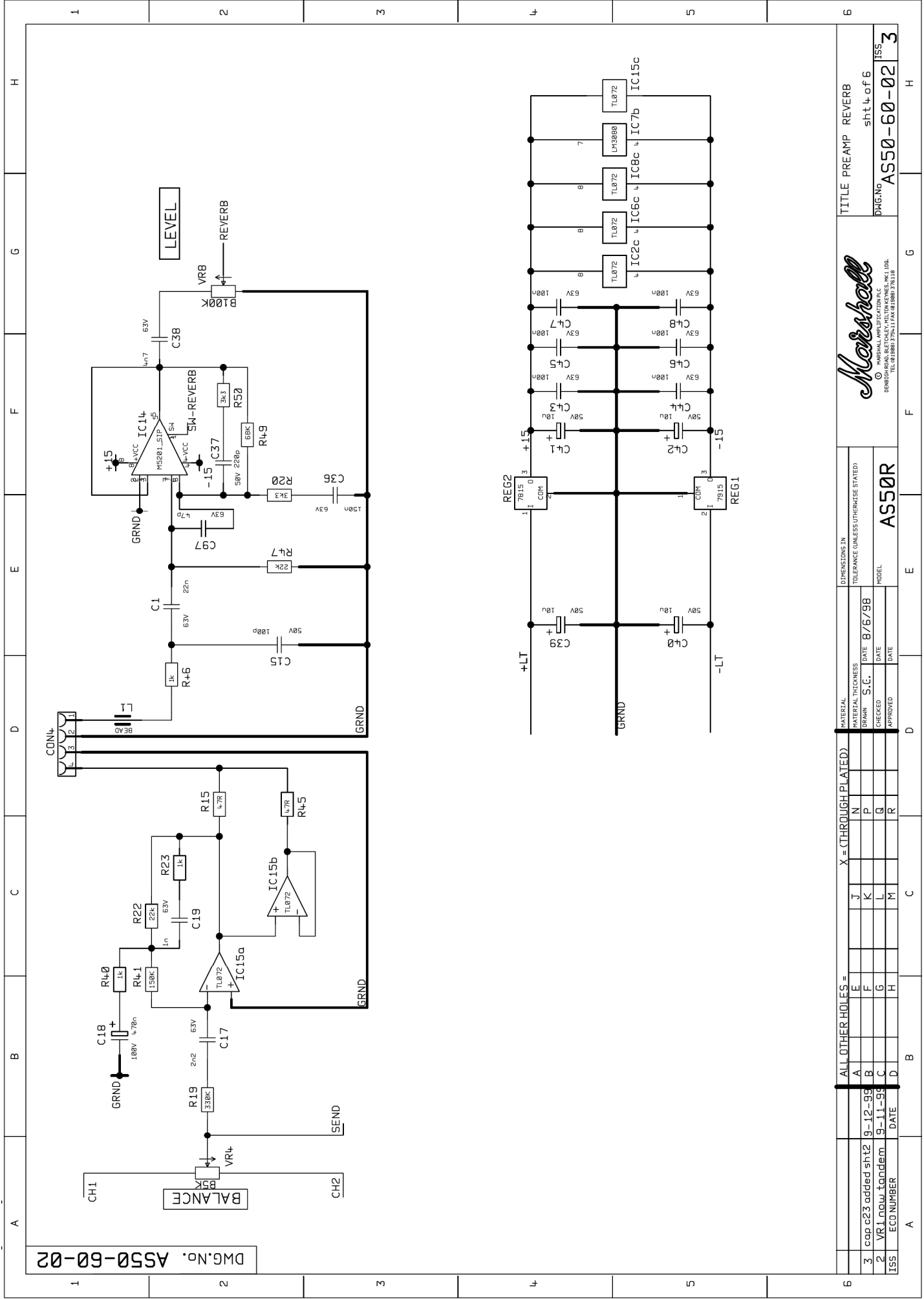
ALL OTHER HOLES =		DIMENSIONS IN	
X = (THROUGH PLATED)		TOLERANCE (UNLESS OTHERWISE STATED)	
MATERIAL	DATE	CHECKED	DATE
DRAIN	S.G.	APPROVED	DATE
3	cap e23 added sht2	9-12-99	8/6/98
2	VR Lnw.tandem	9-11-99	
ISS	ECD NUMBER	DATE	

AS50R

© MARSHALL APPLICATOR INC. 1998
 DIMENSIONS IN MILLIMETERS (INCHES) IN PARENTHESES
 TEL: 609-391-1700 FAX: 609-391-1718

Marshall

TITLE PREAMP
 CHORUS sht 3 of 8
 DMG.No. AS50-60-02 ISS 3

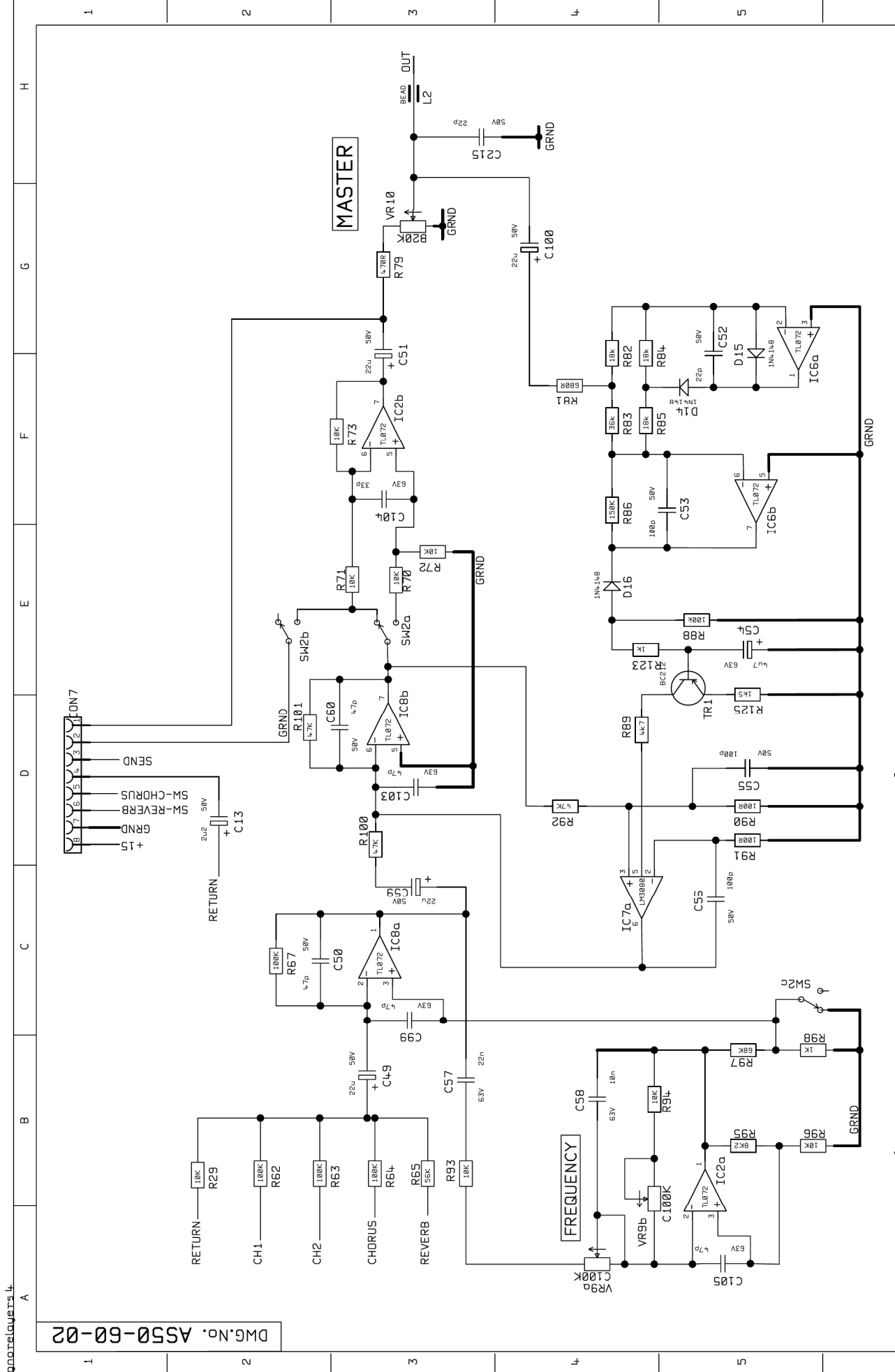


DMG.No. AS50-60-02

ALL OTHER HOLES =		X = (THROUGH PLATED)	
A	E	J	N
B	F	K	P
C	G	L	Q
D	H	M	R
DATE	DATE	DATE	DATE
9-12-99	8/6/98		
9-11-99			
ECO NUMBER	MODEL	DIMENSIONS IN	
	AS50R	TOLERANCE (UNLESS OTHERWISE STATED)	
		MATERIAL THICKNESS	
		DRAWN S.C.	
		DATE 8/6/98	
		CHECKED	
		APPROVED	
TITLE PREAMP REVERB		sht 4 of 6	
DMG.No. AS50-60-02		ISS	
		3	



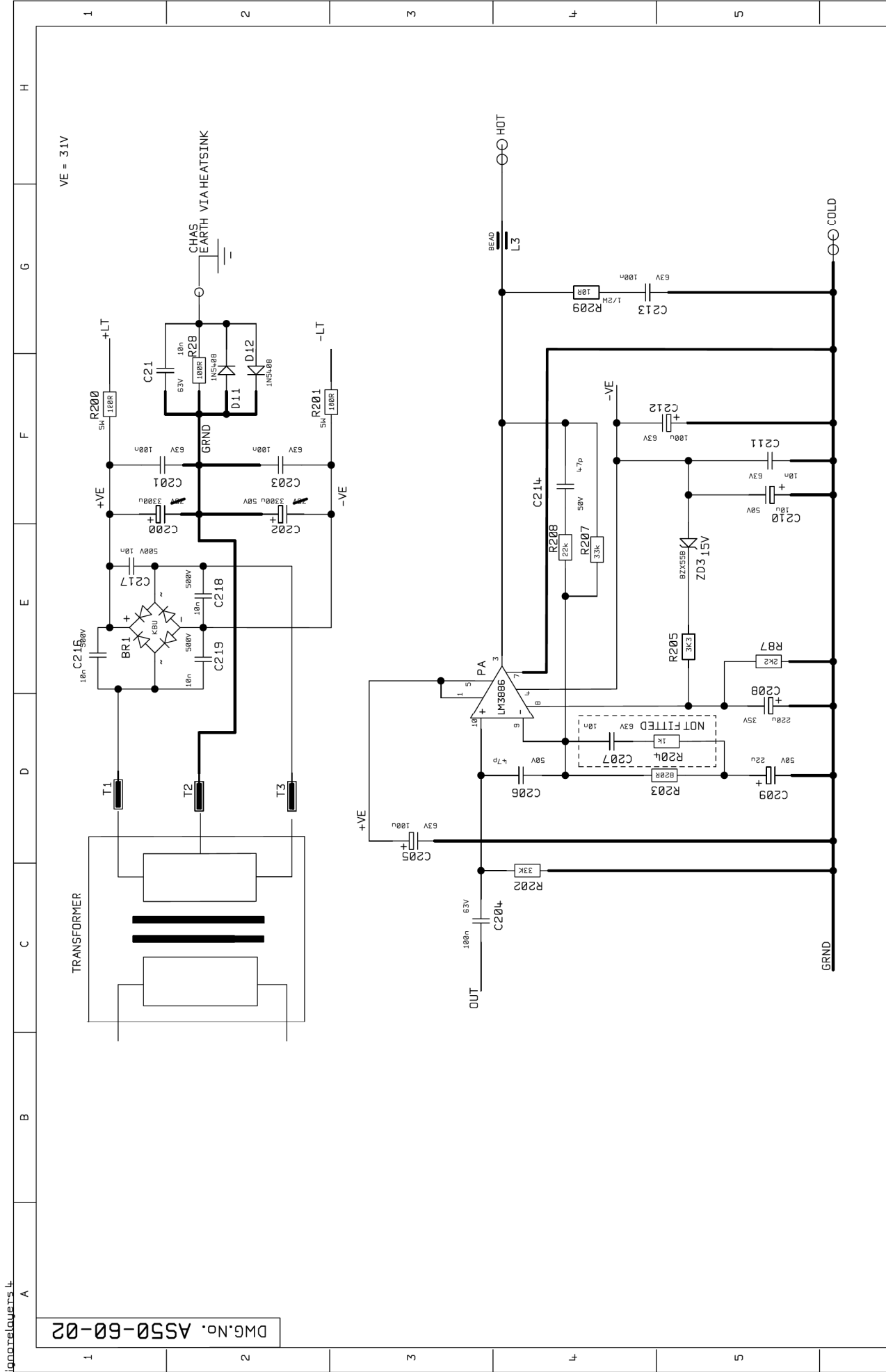
© MARSHALL AMPLIFICATION PLC MK1 100
 0000000377011 FAX 018802376118
 TEL 01880237611



DWG. No. AS50-60-02

ALL OTHER HOLES =		X = (THROUGH PLATED)		DIMENSIONS IN		TOLERANCE (UNLESS OTHERWISE STATED)	
A	B	C	D	E	F	G	H
J	K	L	M	N	P	Q	R
3	cap c23 added sht2	9-12-99	B	DATE	8/6/98	DATE	8/6/98
2	VR1 now tandem	9-11-99	C	CHECKED		DATE	
ISS	ECD NUMBER	DATE		APPROVED		DATE	
TITLE		PREAMP LIMITER & NOTCH FILTER sht 5 of 6		DWG. NO		AS50-60-02	
ISS		3		ISS		3	





DWG. No. AS50-60-02

ALL OTHER HOLES =		X = (THROUGH PLATED)		DIMENSIONS IN		TOLERANCE UNLESS OTHERWISE STATED:		TITLE						
A	B	C	D	E	F	G	H	FRAM	L.V.	DATE	17/6/98	POWER AMP & POWER SUPPLY		sh 6 of 6
3	cap c23 added sht2	9-12-98	N	P	Q	R		CHECKED	DATE	APPROVED		AS50-60-02		ISS
2	_VR1 now tandem	9-11-98	L	M				MODEL				AS50-60-02		3
ISS	ECO NUMBER	DATE										MARSHALL		
								MARSHALL ELECTRONIC PLC				MARSHALL		
								GENERAL PURPOSE ELECTRONIC				MARSHALL		
								TEL: 01889 374117 FAX: 01889 374118				MARSHALL		