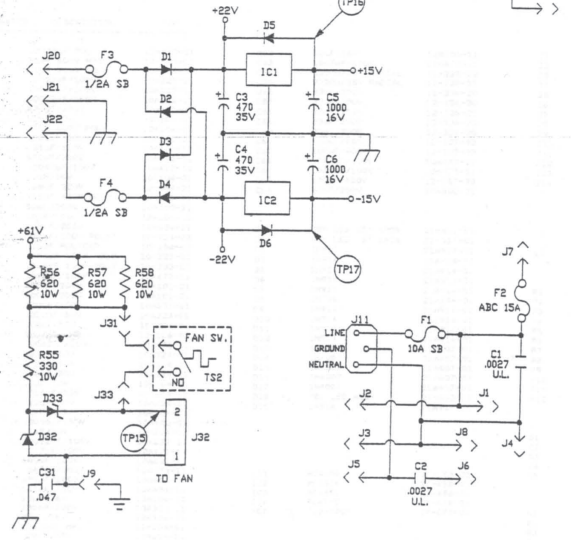


**NOTES**

- 1) CAUTION: SHOCK HAZARD!! THIS UNIT CONTAINS HAZARDOUS VOLTAGE. DISCONNECT POWER AND BE SURE POWER SUPPLY IS DISCHARGED BEFORE TOUCHING INTERNAL PARTS.
- 2) UNLESS NOTED, RESISTOR VALUES IN OHMS, 1/4W-5% TOL. CAPACITOR VALUES IN MICROFARADS, 50V-10% TOL.
- 3) VOLTAGES ARE MEASURED WITH 1 MEGOHM OSCILLOSCOPE AND 10 MEGOHM DIGITAL VOLTMETER.
- 4) CIRCUIT GROUND  $\nabla$  INPUT GROUND  $\nabla$  CHASSIS GROUND  $\nabla$



DESIGNATOR	DESC.	PART NO.
AP1	500 ohm TRIMPOT	71-501-02
A D27, 28	1N5393	21A593-01
D1-6	1N4002	21A402-01
D4-25, 29	1N914	21A914-01
D14	1N4747	21A447-01
D17, 19, 22, 23	1N3070	21A370-01
D30	1N4756	21A456-01
D32	1N5347	21-547-01
D33	1N5353B	21-553-01
D34, 35	1N4745	21A145-01
F1	10A 125V S3 FUSE	23-310-02
F2	ABC15A 125V FUSE	23-315-01
F3, 4	5A 250V S3 FUSE	23-300-05
F5	1/8A S3 FUSE	23-313-05
IC1	78M15	37-715-01
IC2	79M15	37-915-01
IC3	TLD-78CP	37-072-01
IC4	NE5532	37-532-01
K1	T-90 RELAY	82-090-01
L1	2.5uH	94-142-01
DC1	VTL-5C7 VACTROL	66-100-01
Q1, 8, 11, 19, 20	MPS-A-06	96-006-01
Q2, 14	2N3415	96-515-01
Q3, 13	2N3440	96-540-01
Q4-7	HJ15022	96-122-01
Q9	MPS-A-06	96-006-01
Q10	2N3402	96-345-01
Q12	MPS-A-35	96-055-01
Q15-18	HJ15023	96-123-01
TS1	120C THERM SW	88-258-01
TS2	60C ND THERM SW	88-251-01

DESIGNATOR	DESC.	PART NO.
J1-8, 13-19, 25-27, 30, 31, 33-39	J1-8, 13-19, 25-27, 30, 31, 33-39	17-836-01
J9, 10	#6 GROUND LUG	17-500-01
J11	AC LINE CONN	17-604-01
J12	10 PIN .156 HDR	17-310-10
J20-22	.187 ST. PC TAB	17-894-01
J23		
J28, 24, 29	CLIFF T/S JACK	39-116-01
J32	MPS156-2-D	17-309-02

TP	VAC RMS	VDC
1	.883V	0
2	1.0V	5mV ± 5mV
3	2.7V	250mV ± 50mV
4	0	7.5V ± 5V
5	0	7.5V ± 5V
6	40V	1.5V ± 2V
7	40V	1.5V ± 2V
B	2Vp-p RIPPLE	71V ± 2V
9	2Vp-p RIPPLE	-71V ± 2V
10	.01Vp-p RIPPLE	17V ± 2V
11	.01Vp-p RIPPLE	-17V ± 2V
12	0	10mV ± 5mV
13	0	80mV ± 20mV
14	39V	10mV ± 5mV
15	CTS1 OPEN	10V ± 2V
15	CTS1 CLOSED	26V ± 2V
16	.01Vp-p RIPPLE	-15V ± 2V
17	.01Vp-p RIPPLE	-15V ± 5V

**CAUTION:**  
THIS SCHEMATIC IS PROVIDED FOR USE BY QUALIFIED PERSONNEL. TO AVOID RISK OF ELECTRIC SHOCK, REFER SERVICING TO QUALIFIED SERVICE PERSONNEL. DO NOT PERFORM ANY SERVICING BEYOND THAT EXPLAINED IN THE OPERATING INSTRUCTIONS.

REV	DATE	BY	CHK'D	DESCRIPTION
1	8/26/91	SWR	VP	CHANGED D27, D28 FROM 1N4002 TO 1N5393

SIGNATURES:	DATE:	
DRAWN: DAP	02/21/91	TS80 BORRMAN DR.
CHK'D: DAP	02/06/91	ST. LOUIS, MISSOURI
APP'D: DAP	03/06/91	63146
ORIGINAL ISSUED:	DRAWING NAME:	
PLOT DATE: 08/26/91	POWER AMP SCHEMATIC	
PLOT TIME: 10:54:29	DRAWING NO. 07S423-01	
FILE NAME: 7542301A	SCALE: NONE	SHEET: 1 OF 1