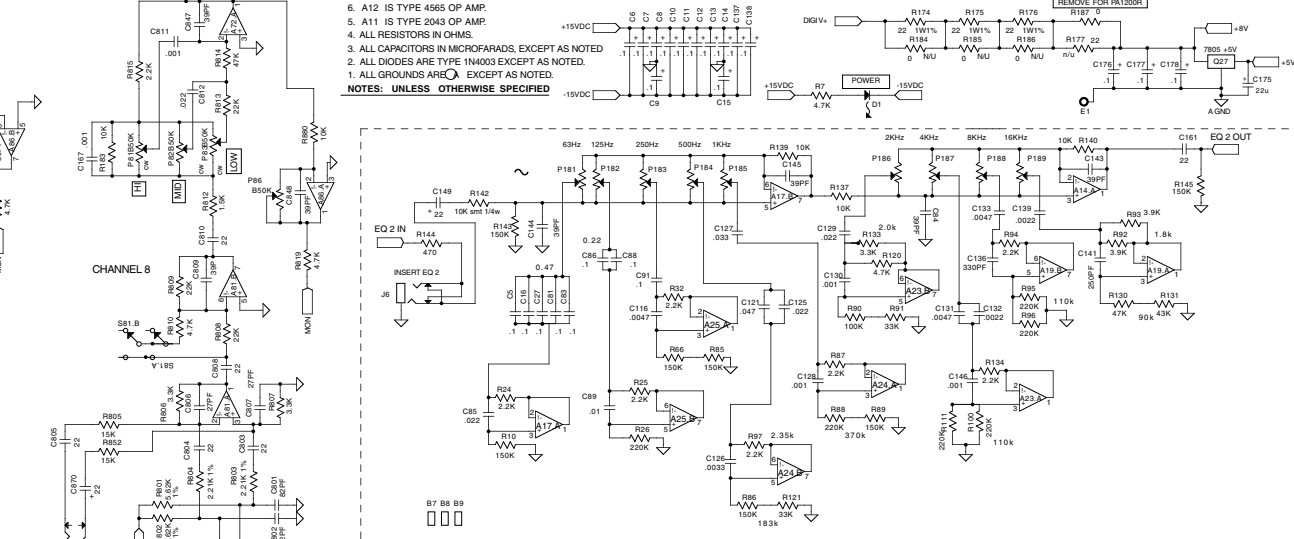
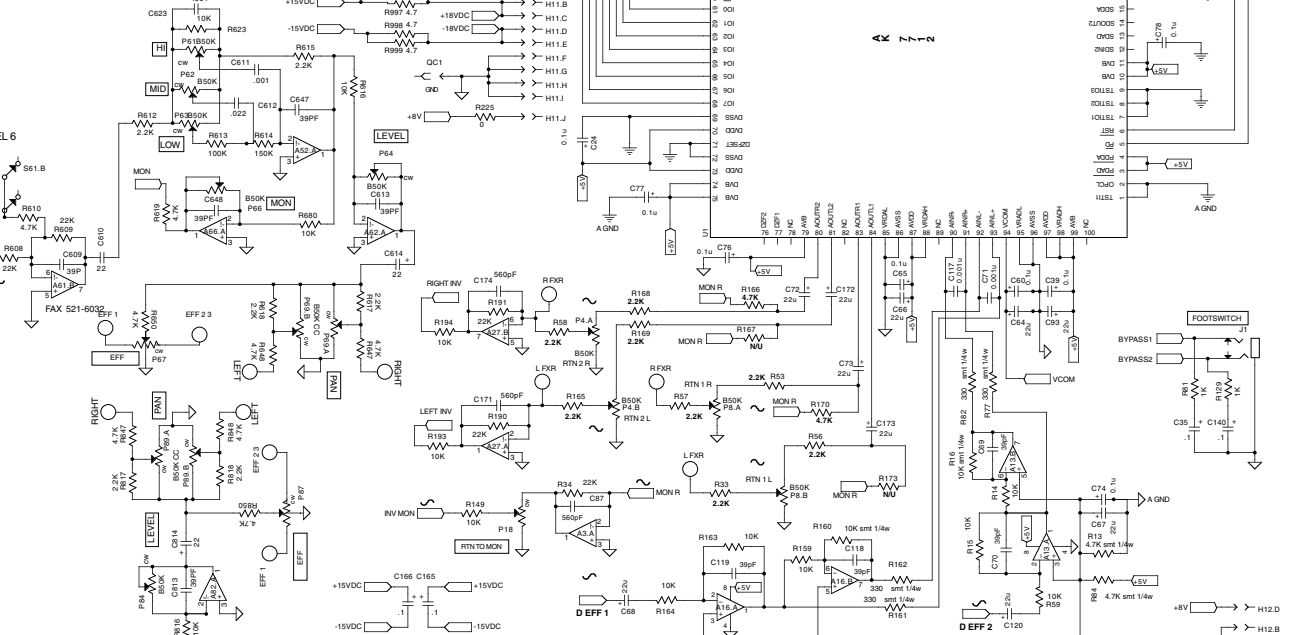
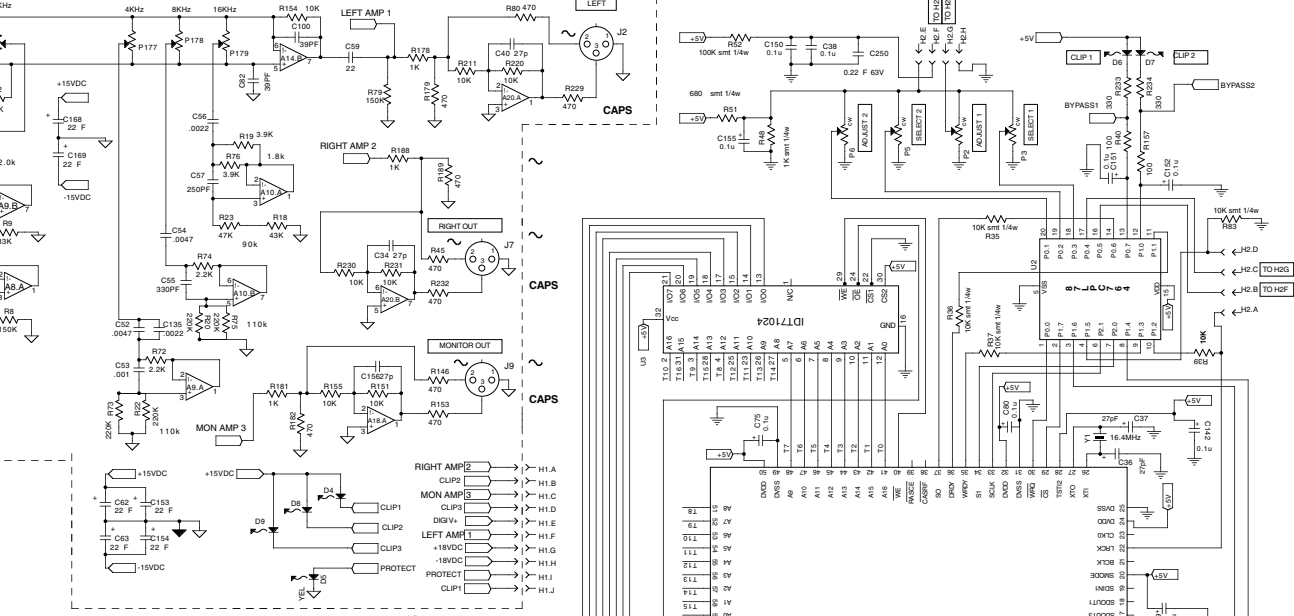
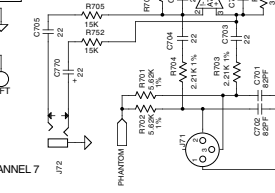
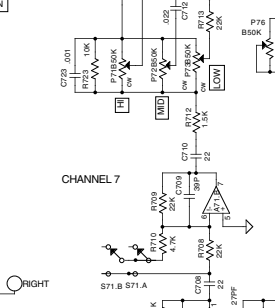
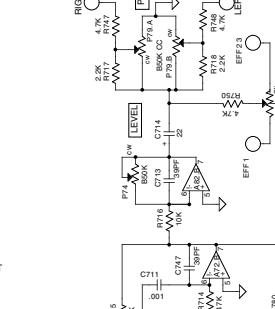
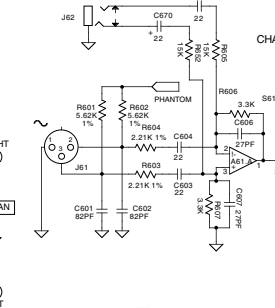


CARVIN
12340 World Trade Drive
San Diego, CA 92128
(858) 487-1600

**PA1200/800
SYSTEM MASTER**

DRAWN BY: E. PETERSEN DATE: 11DEC00
 APPROVED: DATE:
 PCB: 30-87304 REV: D-E
 NO: 30-12734 REV: D-E
 ASSY: 80-87304 REV: D-E
 NO: 80-12734 REV: D-E
 REVISY BY: E. PETERSEN DATE: 07JUN01



6. A12 IS TYPE 4555 OP AMP
 - A11 IS TYPE 2043 OP AMP
 - ALL RESISTORS IN OHMS.
 - ALL CAPACITORS IN MICROFARADS, EXCEPT AS NOTED
 2. ALL DIODES ARE TYPE 1N4003 EXCEPT AS NOTED.
 1. ALL GROUNDS ARE GND EXCEPT AS NOTED.
- NOTES: UNLESS OTHERWISE SPECIFIED

01 02 03 04 05 06 07 08 09 10 11 12 13 14 15 16 17 18 19 20 21 22 23 24 25 26 27 28 29 30 31 32 33 34 35 36 37 38 39 40 41 42 43 44 45 46 47 48 49 50 51 52 53 54 55 56 57 58 59 60 61 62 63 64 65 66 67 68 69 70 71 72 73 74 75 76 77 78 79 80 81 82 83 84 85 86 87 88 89 90 91 92 93 94 95 96 97 98 99 100