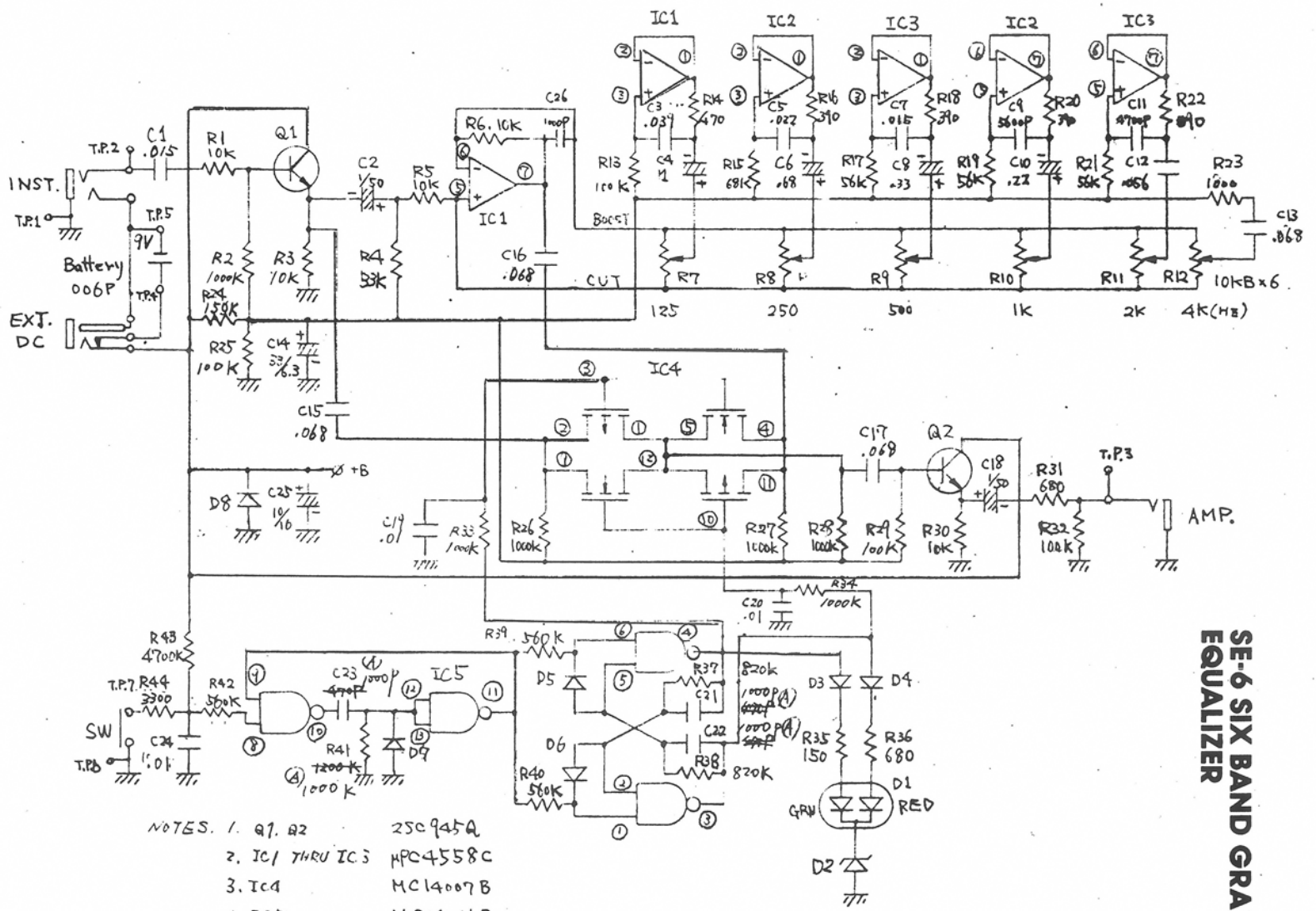


SE-6 SIX BAND GRAPHIC EQUALIZER



- NOTES.
1. Q1, Q2 25C945A
 2. IC1 THRU IC3 MPC4558C
 3. IC4 MC14007B
 4. IC5 MC14011B
 5. D1 TLRG-101
 6. D2 RD5.1EB
 7. D3 THRU D7 1S2473
 8. IC1, THRU IC3. Pin 4: GND. Pin 8: +B
IC4, IC5 Pin 7: GND. Pin 14: +B

Input Imp. 500k ohm min.
 Output Imp. 1k ohm max.
 Max. Input Imp. 100-200-400-800
 Control Range 1800-3200 Hz
 Noiseless electronic
 FET switch
 -85dB mp
 Red (effect off) or normal signal
 Green (effect on)
 Input, output, AC adaptor, input
 9V battery (006P) included
 SE-UP AC adaptor

Controls

LED (2 color)
 Jacks
 Power supply
 Opt. accessory



370 Motor Parkway
 Hauppauge, New York 11787
 Telephone: (516) 231-7700
 Telex: 510-227-9866